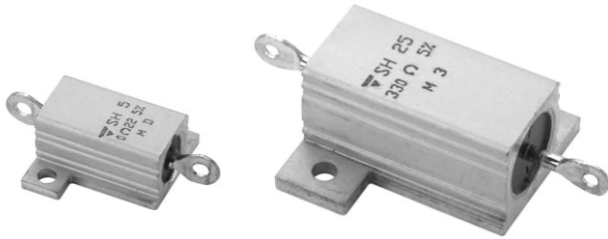


Heatsink Encased Wirewound Power Resistors Industrial Applications



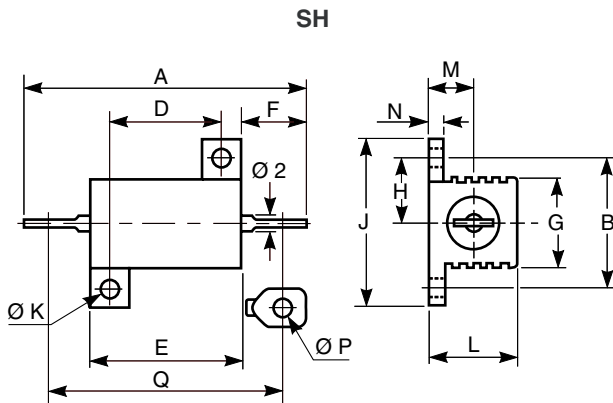
FEATURES

- ≤ 50 Watt at $+ 25$ °C
- High power characteristics
- Utilize heatsink capability
- Good mechanical protection
- Industrialized product



Built for high power dissipation applications, these components have very good overall characteristics for industrial use under harsh environmental conditions.

DIMENSIONS in millimeters



MODEL AND STYLE	SH5	SH10	SH25	SH50
A	28.5 ± 1.5	35 ± 1.5	49 ± 1.3	70.2 ± 1.4
B ± 0.2	12.5	15.9	19.8	21.4
D ± 0.2	11.3	14	18.3	39.7
E ± 0.5	16.3	19	28	50
F	6.8 ± 1.5	7.9 ± 1.5	11.1 ± 1.5	11 ± 1.2
G ± 1	8.5	11	14	15.5
H ± 0.7	6.2	7.9	9.9A	10.7
J ± 0.5	16.4	20.6	27.5	29.4
Ø K ± 0.1	2.4	2.4	3.2	3.2
L max.	8.9	11	15	15
M ± 0.5	4.3	5.6	8	8
N ± 0.3	1.6	2	2.4	2.4
Ø P min.	2.1	2.1	2.1	2.1
Q	25.3 ± 1.5	30.6 ± 1.5	44.6 ± 1.3	66.5 ± 1.4
Weight in g	3	8.8	16.5	30.8

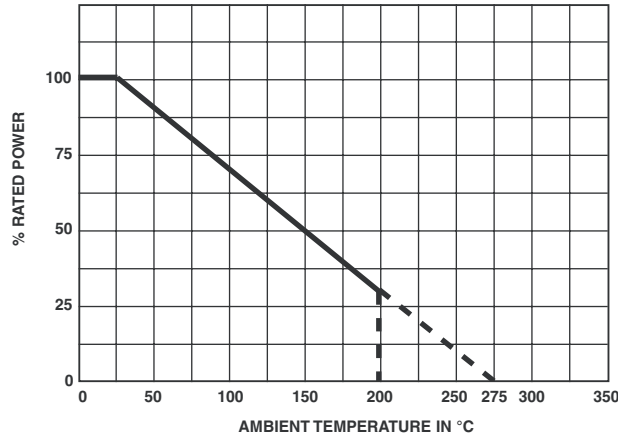
ELECTRICAL SPECIFICATIONS

VISHAY SFERNICE MODEL AND STYLE		SH5	SH10	SH25	SH50	
Power Rating	Chassis mounted resistors: 413 cm ² for SH5 and SH10 536 cm ² for SH25 and SH50	at 25 °C	10 W	12.5 W	25 W	50 W
		at 70 °C	8 W	10 W	20 W	40 W
	Unmounted resistors	at 25 °C	4 W	6 W	9 W	12 W
		at 70 °C	3.2 W	4.8 W	7.2 W	9.6 W
Ohmic Value		0.1 Ω 3.3 k Ω	0.1 Ω 15 k Ω	0.1 Ω 33 k Ω	0.1 Ω 51 k Ω	
Tolerance		± 5 %				
Rated Maximum Voltage		160 V	250 V	550 V	1285 V	
Dielectric Strength VRMS		800 V	1000 V	2000 V	2000 V	
Insulation Resistance		$> 10^4$ M Ω		$> 3 \cdot 10^4$ M Ω		
Temperature Coefficient		± 50 ppm/°C		Rn > 50 Ω		
Climatic Category		55/200/56				
Temperature Limits		- 55 °C		+ 200 °C		

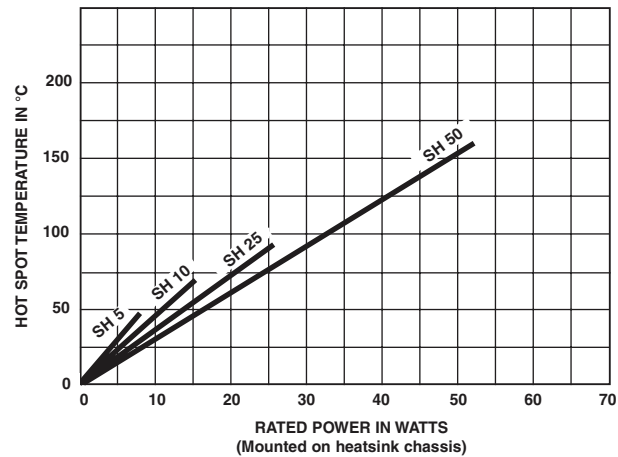


PERFORMANCE		
TESTS	CONDITIONS	TYPICAL DRIFTS
Momentary Overload	5 Pn/5 s	± 0.5 % max. + 0.05 Ω
Climatic Sequence	- 55 °C + 200 °C 5 cycles	± 1 % max. + 0.05 Ω
Load Life	Nominal power Pn 1000 h at 25 °C	± 1 % max. + 0.05 Ω

POWER RATING CHART



TEMPERATURE RISE



PACKAGING

Bag of 10 units

MARKING

SFERNICE trademark, model, style, nominal resistance (in Ω), tolerance (in %), manufacturing date.

ORDERING INFORMATION					
SH	25	10 kΩ	5 %	BA10	e1
MODEL	STYLE	OHMIC VALUE	TOLERANCE	PACKAGING	LEAD (Pb)-FREE

SAP PART NUMBERING GUIDELINES				
SH	25	10001	J	S03
MODEL	STYLE	OHMIC VALUE	TOLERANCE	PACKAGING



Disclaimer

All product specifications and data are subject to change without notice.

Vishay Intertechnology, Inc., its affiliates, agents, and employees, and all persons acting on its or their behalf (collectively, "Vishay"), disclaim any and all liability for any errors, inaccuracies or incompleteness contained herein or in any other disclosure relating to any product.

Vishay disclaims any and all liability arising out of the use or application of any product described herein or of any information provided herein to the maximum extent permitted by law. The product specifications do not expand or otherwise modify Vishay's terms and conditions of purchase, including but not limited to the warranty expressed therein, which apply to these products.

No license, express or implied, by estoppel or otherwise, to any intellectual property rights is granted by this document or by any conduct of Vishay.

The products shown herein are not designed for use in medical, life-saving, or life-sustaining applications unless otherwise expressly indicated. Customers using or selling Vishay products not expressly indicated for use in such applications do so entirely at their own risk and agree to fully indemnify Vishay for any damages arising or resulting from such use or sale. Please contact authorized Vishay personnel to obtain written terms and conditions regarding products designed for such applications.

Product names and markings noted herein may be trademarks of their respective owners.

X-ON Electronics

Largest Supplier of Electrical and Electronic Components

Click to view similar products for [vishay](#) manufacturer:

Other Similar products are found below :

[M39006/22-0577H](#) [Y00892K49000BR13L](#) [VSKT250-16PBF](#) [M8340109M6801GGD03](#) [NTCALUG01A103F291L](#) [ITU1341SM3](#) [VS-MBRB1545CTPBF](#) [1KAB100E](#) [1KAB20E](#) [IH10EB600K12](#) [CP0005150R0JE1490](#) [562R5GAD47RR](#) [S472M69Z5UR84K0R](#)
[MKP1848C65090JY5L](#) [CRCW1210360RFKEA](#) [VSMF4720-GS08](#) [TSOP34438SS1V](#) [CRCW04024021FRT7](#) [001789X](#) [LTO050FR0500JTE3](#)
[CRCW08054K00FKTA](#) [LVR10R0200FE03](#) [CRCW12063K30FKEAHP](#) [009923A](#) [CRCW2010331JR02](#) [CRCW25128K06FKEG](#)
[CS6600552K000B8768](#) [CSC07A0110K0GPA](#) [M34C156K100BZSS](#) [M39003/01-2289](#) [M39003/01-2784](#) [M39006/25-0133](#) [M39006/25-0228](#)
[M64W101KB40](#) [M64Z501KB40](#) [CW001R5000JS73](#) [CW0055R000JE12](#) [CW0056K800JB12](#) [CW0106K000JE73](#) [672D826H075EK5C](#)
[CWR06JC105KC](#) [CWR06NC475JC](#) [MAL219699001E3](#) [MCRL007035R00JHB00](#) [GBU4K-E3/51](#) [GBU8M-E3/51](#) [GF1A-E3/67A](#)
[PTF56100K00QYEK](#) [PTN0805H1502BBTR1K](#) [RCWL1210R130JNEA](#)