

**92**mm sq.

# San Ace 92L



## General Specifications

- Material ..... Frame: Aluminum,  
Impeller: Plastics (Flammability: UL94V-1)
- Expected Life ..... Refer to specifications (L10:Survival rate:90% at 60°C ,  
rated voltage, and continuously run in a free air state)
- Lead Wire ..... ⊕red ⊖black (Sensor) yellow (Control) brown
- Storage Temperature ..... -30°C to +70°C (Non-condensing)

**92×92×25mm** (Mass : 150g) **9LG type** **High Airflow** ECO PRODUCTS

## Specifications

The following nos. **have PWM controls and pulse sensors.**

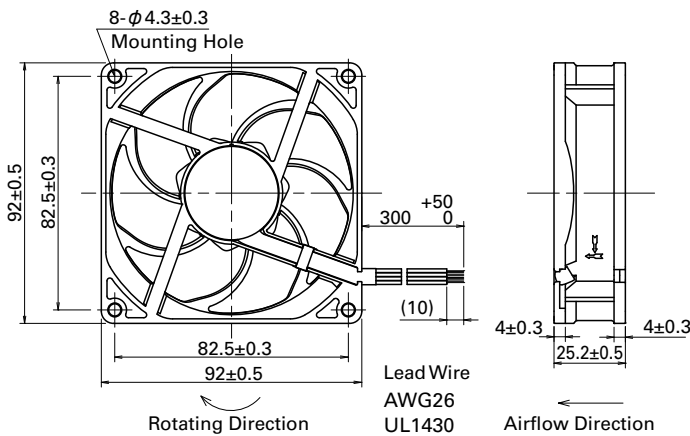
Model No.	Rated Voltage [V]	Operating Voltage Range [V]	PWM duty cycle <sup>Note 1)</sup> [%]	Rated Current [A]	Rated Input [W]	Rated Speed [min <sup>-1</sup> ]	Max. Airflow [m <sup>3</sup> /min] [CFM]	Max. Static Pressure [Pa] [inchH <sub>2</sub> O]	SPL [dB(A)]	Operating Temperature [°C]	Expected Life [h]
9LG0912P4J001	12	10.8 to 13.2	100	0.42	5.04	5,000	2.20 77.7	105 0.42	44	-20 to +70	180,000/60°C
9LG0912P4G001			100	0.30	3.60	4,400	1.93 68.2	81 0.33	40		
9LG0912P4S001			100	0.22	2.64	3,850	1.69 59.7	62.1 0.25	37		
9LG0912P4H001			100	0.15	1.80	3,150	1.38 48.7	41.6 0.17	32		
9LG0924P4J001	24	21.6 to 26.4	100	0.21	5.04	5,000	2.20 77.7	105 0.42	44		
9LG0924P4G001			100	0.15	3.60	4,400	1.93 68.2	81 0.33	40		
9LG0924P4S001			100	0.11	2.64	3,850	1.69 59.7	62.1 0.25	37		
9LG0924P4H001			100	0.07	1.68	3,150	1.38 48.7	41.6 0.17	32		

Note : Fan does not rotate when PWM duty cycle is 0%.

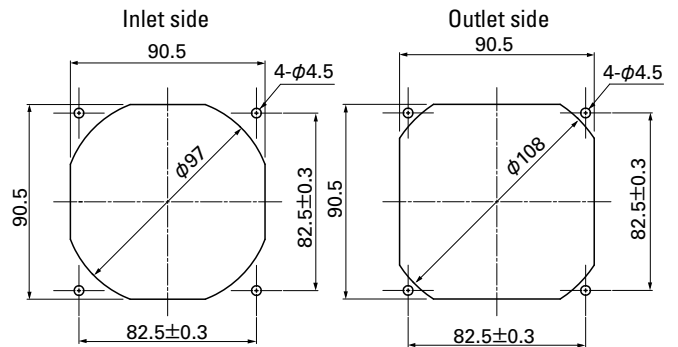
※PWM Frequency : 25kHz

Other sensor specifications are available as options. Please refer to the index (p. 509).

## Dimensions (unit: mm)



## Reference Dimensions of Mounting Holes and Vent Opening (unit: mm)

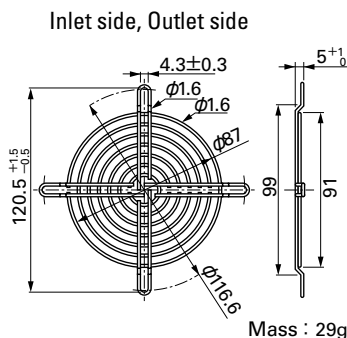
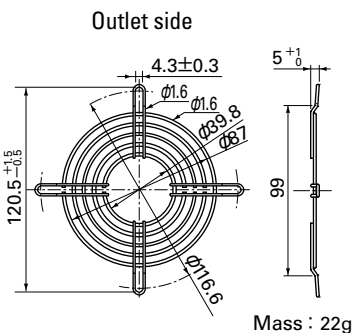


## Options (unit: mm)

### Finger Guards

Model : 109-099C Surface treatment : Nickel-chrome plating (silver) Color

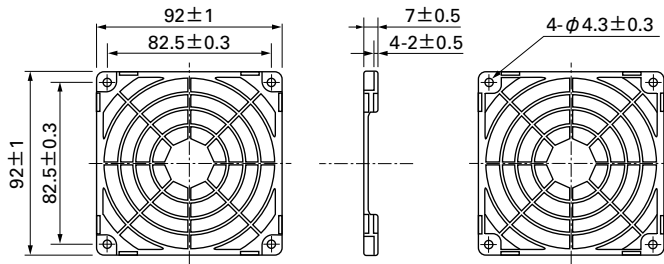
Model : 109-099E Surface treatment : Nickel-chrome plating (silver) Color  
: 109-099H : Cation electropainting (black)



**Options (unit: mm)**

**Resin Finger Guards**

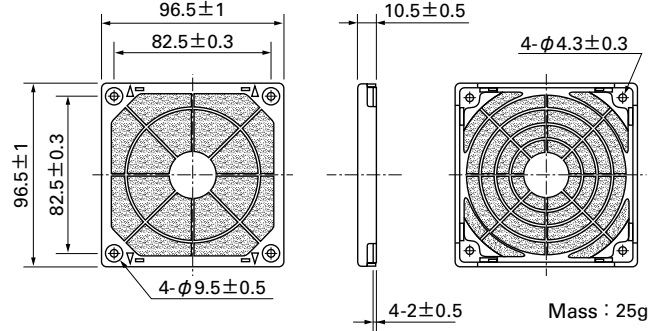
Model : 109-1001G



Mass : 12g

**Resin Filter Kits**

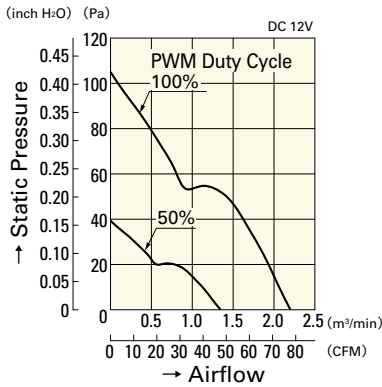
Model : 109-1001F13 (13PPI), 109-1001F20 (20PPI)  
: 109-1001F30 (30PPI), 109-1001F40 (40PPI)



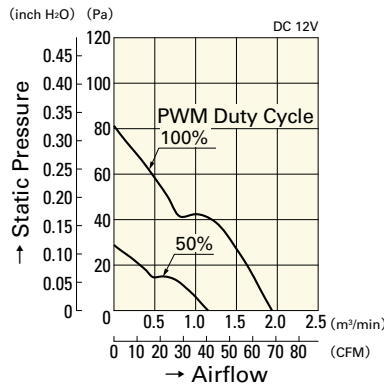
Mass : 25g

**Airflow - Static Pressure Characteristics**

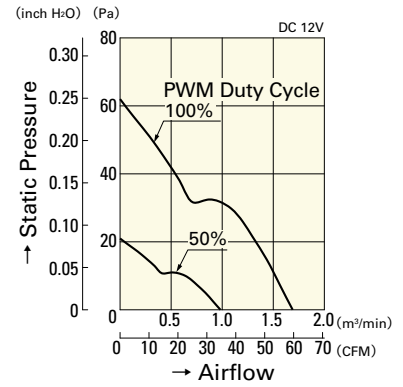
**PWM Duty Cycle**



**9LG0912P4J001**

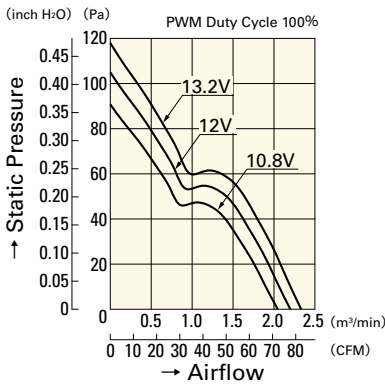


**9LG0912P4G001**

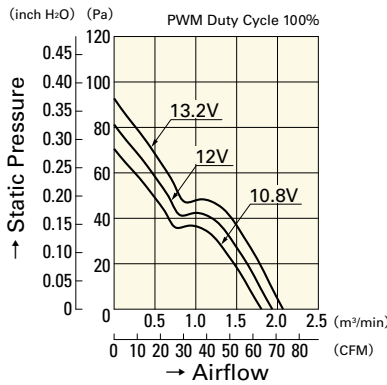


**9LG0912P4S001**

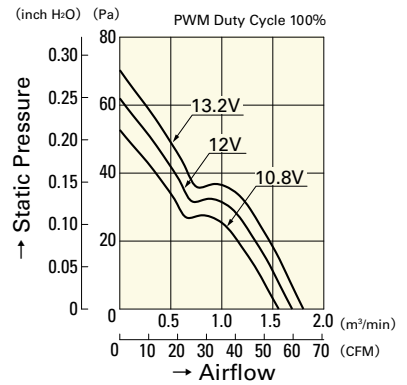
**Operating Voltage Range**



**9LG0912P4J001**

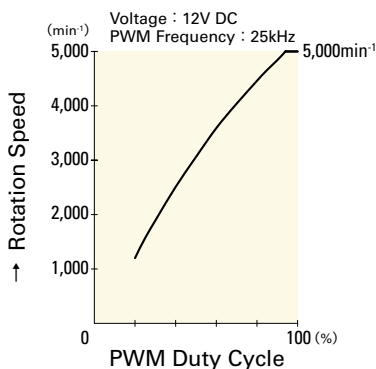


**9LG0912P4G001**

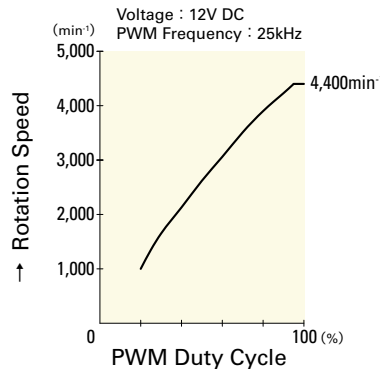


**9LG0912P4S001**

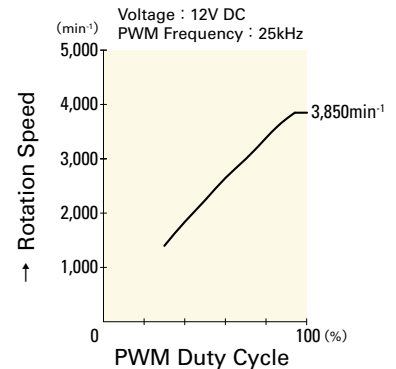
**PWM Duty - Speed Characteristics Example**



**9LG0912P4J001**



**9LG0912P4G001**



**9LG0912P4S001**

**DC**  
Long Life Fan 92mm

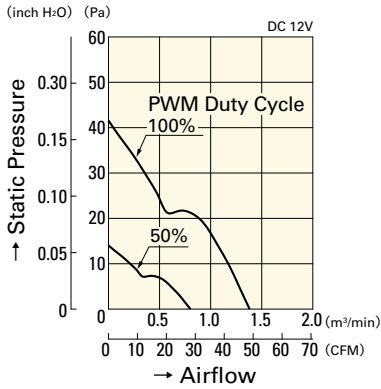
**92**mm sq.

# San Ace 92L

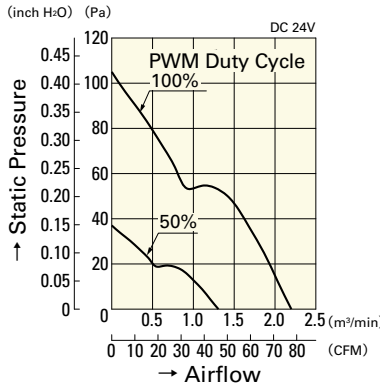
**92×92×25**mm [Mass : 150g]

## Airflow - Static Pressure Characteristics

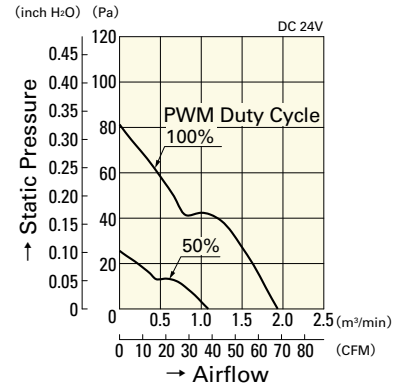
### PWM Duty Cycle



**9LG0912P4H001**

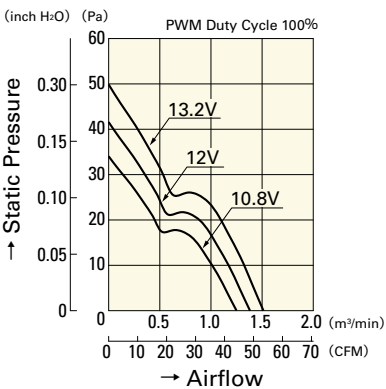


**9LG0924P4J001**

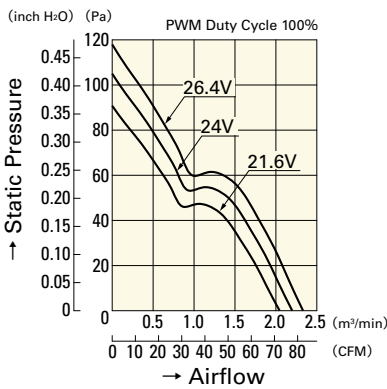


**9LG0924P4G001**

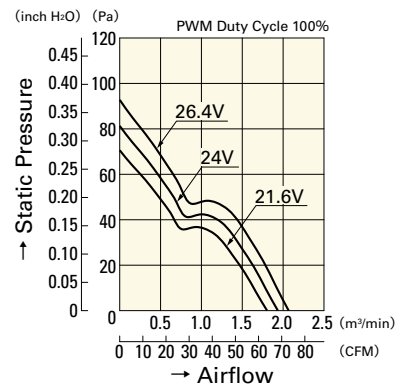
### Operating Voltage Range



**9LG0912P4H001**

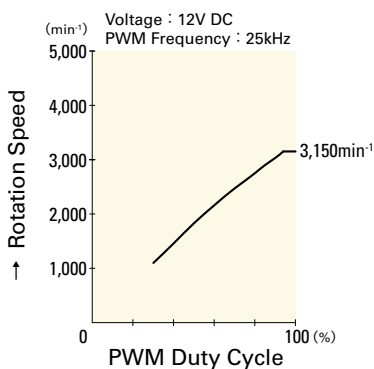


**9LG0924P4J001**

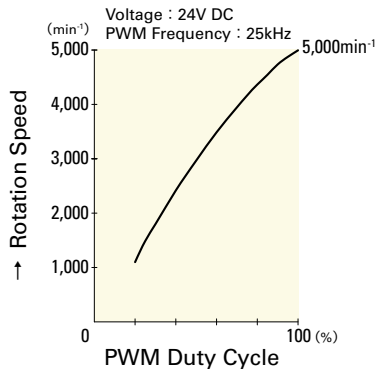


**9LG0924P4G001**

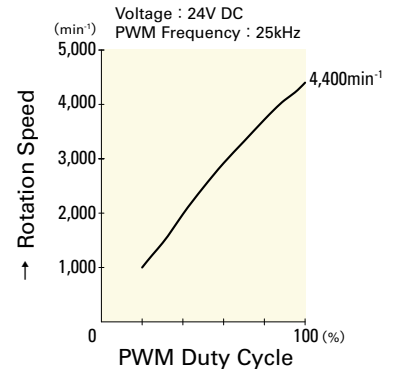
## PWM Duty - Speed Characteristics Example



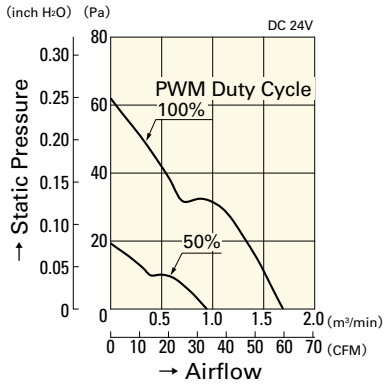
**9LG0912P4H001**



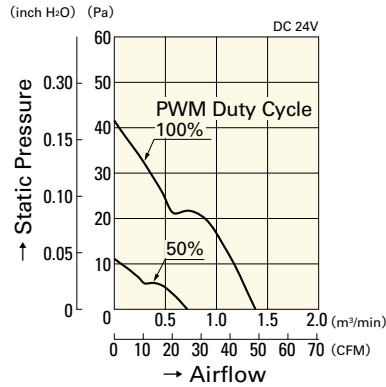
**9LG0924P4J001**



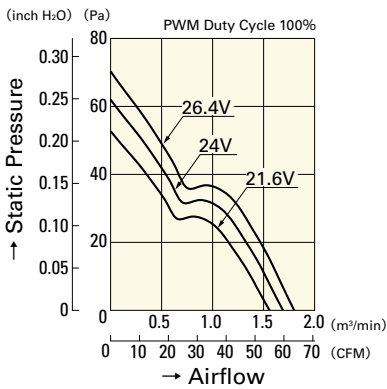
**9LG0924P4G001**



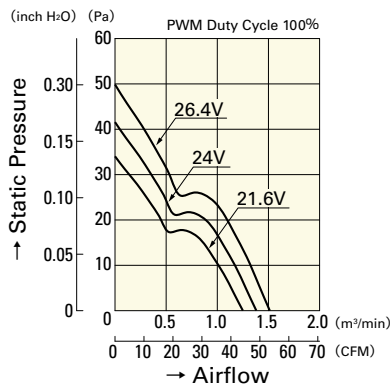
**9LG0924P4S001**



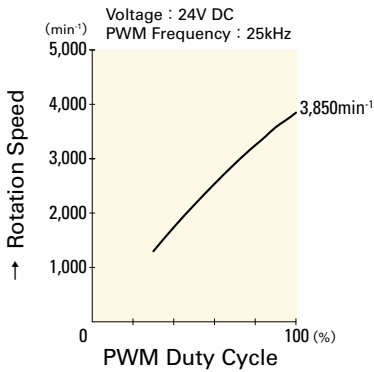
**9LG0924P4H001**



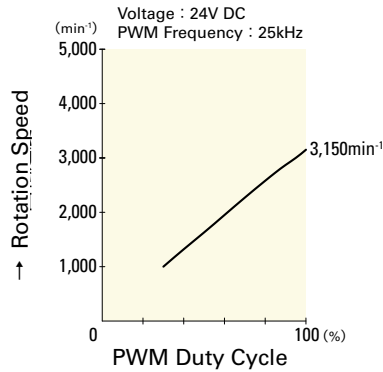
**9LG0924P4S001**



**9LG0924P4H001**



**9LG0924P4S001**



**9LG0924P4H001**

## X-ON Electronics

Largest Supplier of Electrical and Electronic Components

*Click to view similar products for [DC Fans](#) category:*

*Click to view products by [Sanyo Denki](#) manufacturer:*

Other Similar products are found below :

[614R](#) [6424/2HP-210](#) [8312R](#) [DV4118/2NP-183](#) [AFB0948HH-S687](#) [PFB0824DHE-8B72](#) [G2E085-AA05-10](#) [RD20S-4/210660](#) [4318/12T](#)  
[4418HH](#) [AUB0912H-F00](#) [3412N/2ME](#) [K2E225-RA92-09](#) [4184N/2XR](#) [5214N2HH](#) [614J2HHPR-010](#) [8412NGL-12](#) [4114N/12HHR-297](#)  
[4656](#) [ZWR-903](#) [4112N12GL-175](#) [KD2406PKB2.\(2\).GN](#) [AFB1248HHE](#) [AFB1212LE-F00](#) [FAN-SCH-1](#) [MF60151V1-1000U-G99](#)  
[PF80252V1-1000U-G99](#) [PF92252V1-1000U-G99](#) [4112N/2H6P](#) [4114N/17-251](#) [6212NH](#) [622/2N](#) [712F-011](#) [8218J/2NP-181](#) [W1G180-AB47-](#)  
[15](#) [FAA1-12038NBKW31-A](#) [6318N/2TDP](#) [6318N/2H3PU](#) [6318HU](#) [424JMU](#) [PMD1206PTVX-A.U.GN](#) [PF80251B2-000U-F99](#)  
[EF40101BX-1000U-G99](#) [AD1224LB-A71GL](#) [9GA0924L4021](#) [9GA0924M4021](#) [9GA0924M4011](#) [9GA0824B20011](#) [9GA0812A2D0011](#)  
[9GA0912M4D011](#) [9GA0924W4D01](#)