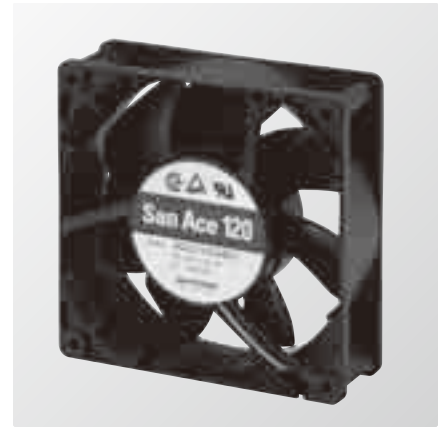


**120**mm sq.

# San Ace 120

25mm thick (G type), 38mm thick (GV type)  
38mm thick (G type), 38mm thick (SG type)



**General Specifications** With a pulse sensor Specifications for pulse sensors ⇨ Refer to Page 261

- Material ..... Frame: Plastics (Flammability: UL94V-0),  
Impeller: Plastics (Flammability: UL94V-1)
- Life Expectancy ..... Varies for each model (L10: Survival rate: 90% at 60°C, rated voltage, and continuously run in a free air state)
- Lead Wire ..... ⊕red ⊖black or blue Sensor yellow
- Storage Temperature ..... -30°C to +70°C (Non-condensing)

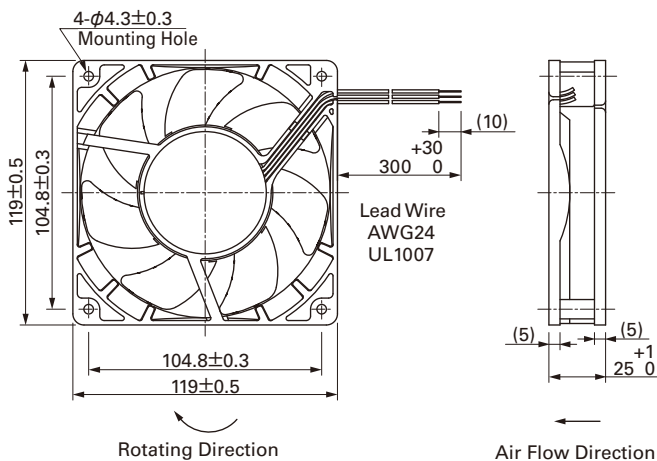
## 120×120×25mm (Mass : 240g) G type

**Specifications** The numbers in ( ) represent ribless models.

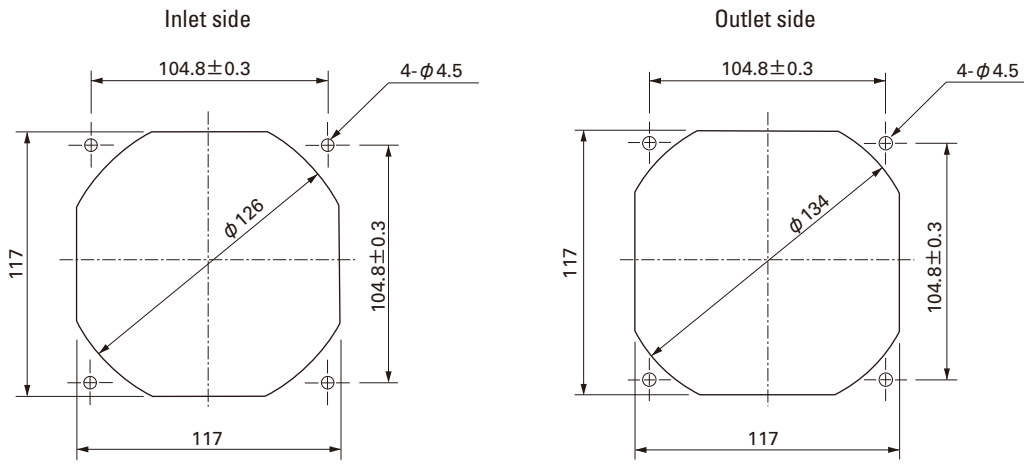
Model No.	Rated Voltage [V]	Operating Voltage Range [V]	Rated Current [A]	Rated Input [W]	Rated Speed [min <sup>-1</sup> ]	Air Flow [m <sup>3</sup> /min] [CFM]	Static Pressure [Pa] [inchH <sub>2</sub> O]	SPL [dB(A)]	Operating Temperature [°C]	Life Expectancy [h]	
9G1212G401(4011)	12	10.2 to 13.8	0.90	10.8	4,100	3.68 130	120 0.482	51	-10 to +70	40,000	
9G1212E401(4011)			0.58	6.96	3,650	3.25 115	98 0.394	48			
9G1212A401(4011)			0.40	4.80	3,150	2.83 100	77 0.309	44			
9G1212H401(4011)		6 to 13.8	0.31	3.72	2,850	2.50 88	64 0.257	40			
9G1212F401(4011)			7 to 13.8	0.19	2.28	2,250	1.98 70	42 0.169			35
9G1212M401(4011)				0.14	1.68	1,950	1.66 58	31 0.124			29
9G1224G401(4011)	24	20.4 to 27.6	0.47	11.28	4,100	3.68 130	120 0.482	51			
9G1224E401(4011)			0.37	8.88	3,650	3.25 115	98 0.394	48			
9G1224A401(4011)			0.21	5.04	3,150	2.83 100	77 0.309	44			
9G1224H401(4011)		12 to 27.6	0.17	4.08	2,850	2.50 88	64 0.257	40			
9G1224F401(4011)			20.4 to 27.6	0.10	2.40	2,250	1.98 70	42 0.169			35
9G1224M401(4011)				0.08	1.92	1,950	1.66 58	31 0.124			29
9G1248G401(4011)	48	40.8 to 55.2	0.23	11.04	4,100	3.68 130	120 0.482	51			
9G1248E401(4011)			0.16	7.68	3,650	3.25 115	98 0.394	48			
9G1248A401(4011)			0.13	6.24	3,150	2.83 100	77 0.309	44			
9G1248H401(4011)			0.10	4.80	2,850	2.50 88	64 0.257	40			
9G1248F401(4011)			0.06	2.88	2,250	1.98 70	42 0.169	35			
9G1248M401(4011)			0.05	2.40	1,950	1.66 58	31 0.124	29			

Without Sensor Pulse Sensor Available in all models. Lock Sensor Low speed Sensor PWM Control Please inquire as the availability of these functions depend on the model.

## Dimensions (Unit : mm) (With ribs)



Reference dimension of mounting holes and vent opening (Unit : mm)

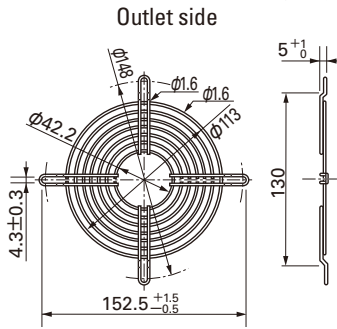


Options (Unit : mm)

Finger guards

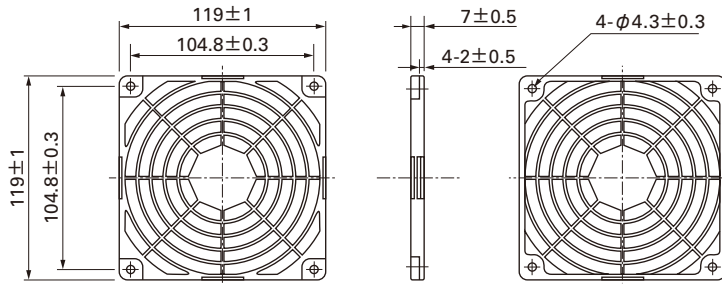
Model : 109-019C Surface treatment : Nickel-chrome plating (silver)  
 : 109-019H : Cation electropainting (black)

Color



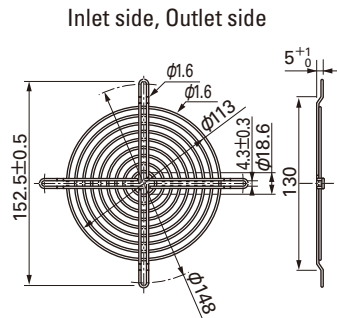
Resin finger guards

Model : 109-1000G



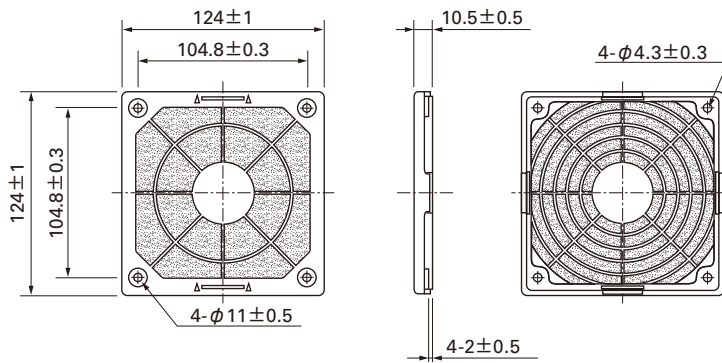
Model : 109-019E Surface treatment : Nickel-chrome plating (silver)  
 : 109-019K : Cation electropainting (black)

Color



Resin filter kits

Model : 109-1000F13 (13PPI), 109-1000F20 (20PPI)  
 : 109-1000F30 (30PPI), 109-1000F40 (40PPI)

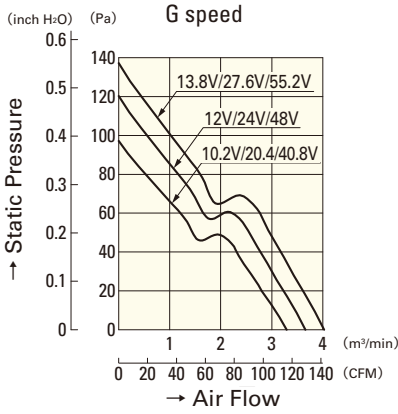


**120**mm sq.

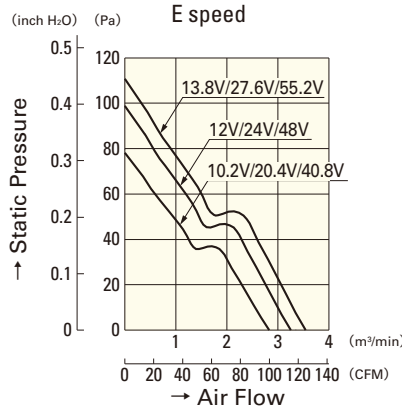
**San Ace 120**

**120×120×25mm** [Mass : 240g]

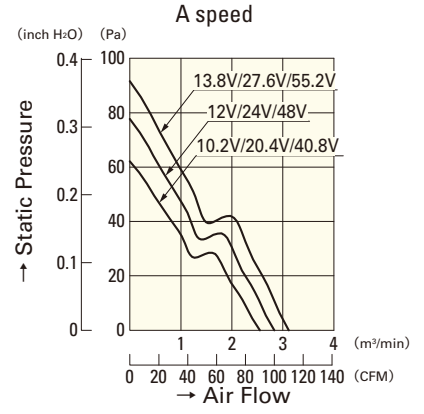
**Air Flow and Static Pressure Characteristics**



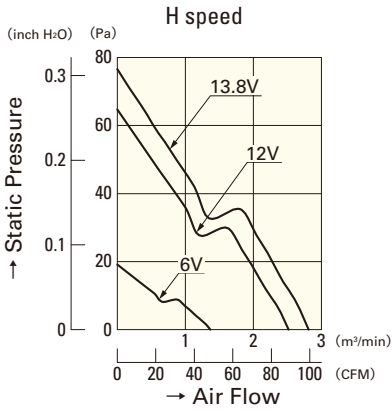
**9G1212G401(4011)**  
**9G1224G401(4011)**  
**9G1248G401(4011)**



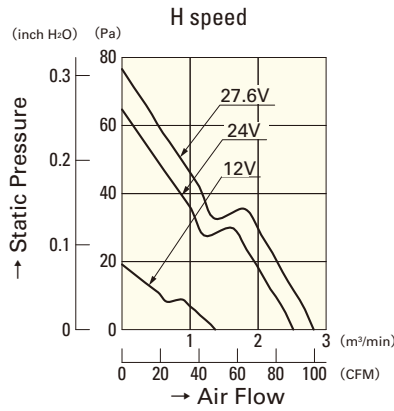
**9G1212E401(4011)**  
**9G1224E401(4011)**  
**9G1248E401(4011)**



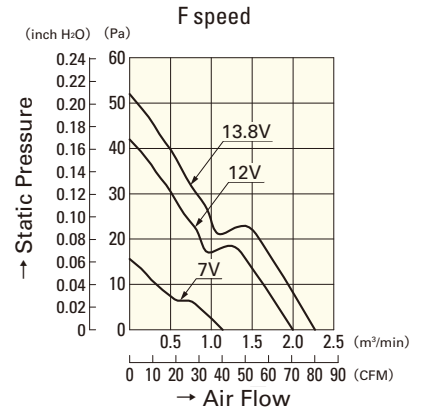
**9G1212A401(4011)**  
**9G1224A401(4011)**  
**9G1248A401(4011)**



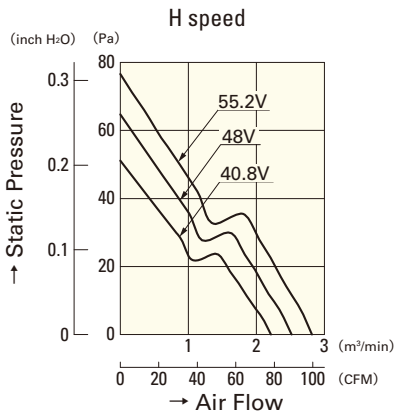
**9G1212H401(4011)**



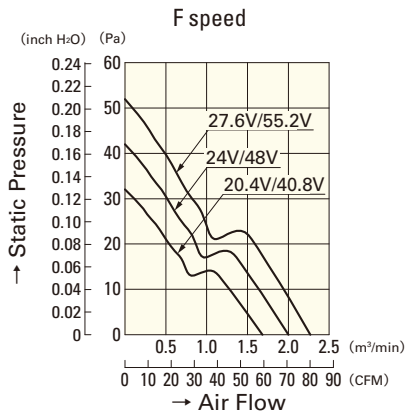
**9G1224H401(4011)**



**9G1212F401(4011)**

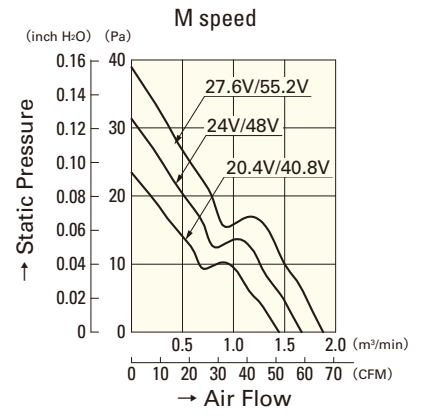


**9G1248H401(4011)**



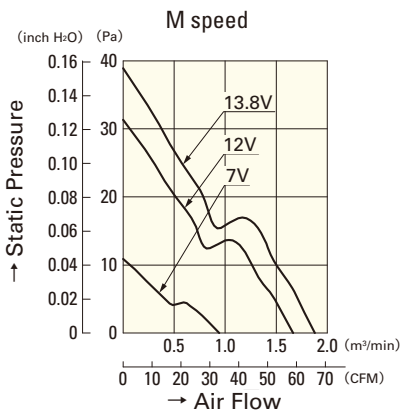
**9G1224F401(4011)**

**9G1248F401(4011)**



**9G1224M401(4011)**

**9G1248M401(4011)**



**9G1212M401(4011)**

## X-ON Electronics

Largest Supplier of Electrical and Electronic Components

*Click to view similar products for [DC Fans](#) category:*

*Click to view products by [Sanyo Denki](#) manufacturer:*

Other Similar products are found below :

[614R](#) [6424/2HP-210](#) [8312R](#) [DV4118/2NP-183](#) [AFB0948HH-S687](#) [PFB0824DHE-8B72](#) [G2E085-AA05-10](#) [RD20S-4/210660](#) [4318/12T](#)  
[4418HH](#) [AUB0912H-F00](#) [3412N/2ME](#) [K2E225-RA92-09](#) [4184N/2XR](#) [5214N2HH](#) [614J2HHPR-010](#) [8412NGL-12](#) [4114N/12HHR-297](#)  
[4656](#) [ZWR-903](#) [4112N12GL-175](#) [KD2406PKB2.\(2\).GN](#) [AFB1248HHE](#) [AFB1212LE-F00](#) [FAN-SCH-1](#) [MF60151V1-1000U-G99](#)  
[PF80252V1-1000U-G99](#) [PF92252V1-1000U-G99](#) [4112N/2H6P](#) [4114N/17-251](#) [6212NH](#) [622/2N](#) [712F-011](#) [8218J/2NP-181](#) [W1G180-AB47-](#)  
[15](#) [FAA1-12038NBKW31-A](#) [6318N/2TDP](#) [6318N/2H3PU](#) [6318HU](#) [424JMU](#) [PMD1206PTVX-A.U.GN](#) [PF80251B2-000U-F99](#)  
[EF40101BX-1000U-G99](#) [AD1224LB-A71GL](#) [9GA0924L4021](#) [9GA0924M4021](#) [9GA0924M4011](#) [9GA0824B20011](#) [9GA0812A2D0011](#)  
[9GA0912M4D011](#) [9GA0924W4D01](#)