

## Specifications

Insulation Resistance: 1,000MΩ min. at 500 V DC  
 Withstanding Voltage: 500 V AC rms for 1 minute  
 Contact Resistance: 15mΩ max. at 10mA  
 Current Rating: 1A  
 Operating Temp. Range: -20°C to +85°C

## Materials and Finish

Housing: PBT (glass filled), UL 94V-0 rated  
 Contacts: Phosphor Bronze  
 Plating: Gold or Solder over Nickel

## Features

- ◇ Contact pitch 1.27mm connectors for high-density mounting
- ◇ Approx. 40% saved for mounting area to 2.54mm pitch connectors (64 leads)
- ◇ Variations include cable connection and board-to-board connection types

## Part Number (Details)

**NFP - 64A - 01 \* 2 \*\***

Series (plug)

No. of Leads

Latch Type:

1 = Short Latch

2 = Long Latch

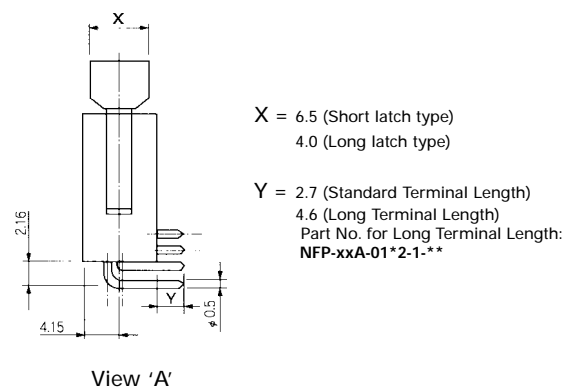
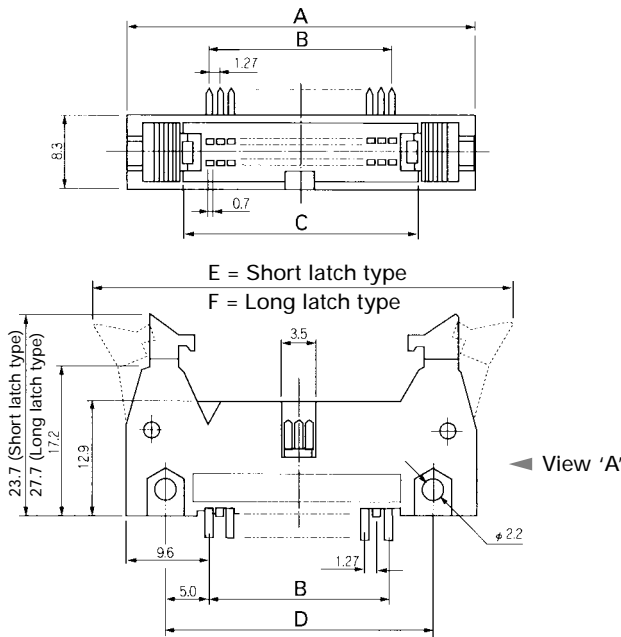
Terminal Type:

2 = Right Angle Solder Dip

Type of Plating:

	Base	Mating Face	Solder Terminals
AS	Ni 2.5-4.5μm	Au 0.76μm min.	SnPb 2.0-4.0μm
BS	Ni 2.5-4.5μm	Au 0.3μm min.	SnPb 2.0-4.0μm
AF	Ni 2.5-4.5μm	Au 0.76μm min.	Au 0.05μm min.
BF	Ni 2.5-4.5μm	Au 0.3μm min.	Au 0.05μm min.

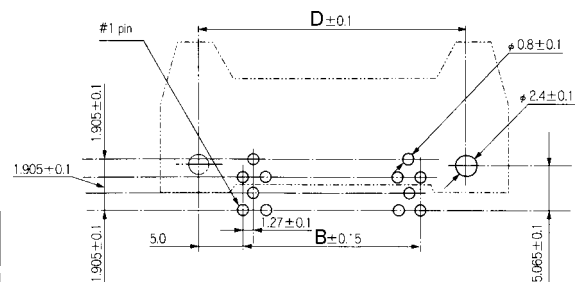
## Applicable Dimensions (Reference Only)



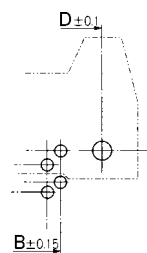
## Recommended PCB Layout

Top View

For leads 10, 26, 34 and 50



For all other leads



Part Number	No. of Leads	A	B	C	D	E	F
NFP-10A-01*2**	10	24.28	5.08	11.58	15.08	38.2	40.2
NFP-16A-01*2**	16	28.09	8.89	15.39	18.89	42.0	44.0
NFP-20A-01*2**	20	30.63	11.43	17.93	21.43	44.6	46.6
NFP-26A-01*2**	26	34.44	15.24	21.74	25.24	48.4	50.4
NFP-34A-01*2**	34	39.52	20.32	26.82	30.32	53.5	55.5
NFP-40A-01*2**	40	43.33	24.12	30.63	34.13	57.3	59.3
NFP-50A-01*2**	50	49.68	30.48	36.98	40.48	63.6	65.6
NFP-60A-01*2**	60	56.03	36.83	43.33	46.83	70.0	72.0
NFP-64A-01*2**	64	58.57	39.37	45.87	49.37	72.5	74.5
NFP-80A-01*2**	80	68.73	49.53	56.03	59.53	82.7	84.7
NFP-100A-01*2**	100	81.43	62.23	68.73	72.23	95.4	97.4

## X-ON Electronics

Largest Supplier of Electrical and Electronic Components

*Click to view similar products for [FFC & FPC Connectors](#) category:*

*Click to view products by [Yamaichi](#) manufacturer:*

Other Similar products are found below :

[HFW11R-1STE1H1LF](#) [FH29B-100S-0.2SHW\(99\)](#) [FA5S008HP1](#) [FH29B-120S-0.2SHW\(99\)](#) [FH29B-80S-0.2SHW\(99\)](#) [FHS-16](#) [FPH-2022G](#)  
[52610-1075](#) [52610-1275](#) [52610-1934](#) [XF3M\(1\)-1415-1B-R100](#) [501864-3091-TR225](#) [0525594033](#) [086210010340800](#) [086222026001800](#)  
[52271-2869-CUT-TAPE](#) [62674-201121DLF](#) [62684-36210E9ALF](#) [52610-1675](#) [52746-1671-TR250](#) [10051922-2810EHLF](#) [6-520415-9](#)  
[BD021-09A-A1-0350-0200-0550-LD](#) [SFV6R-1STE9HLF](#) [XF3M-2915-1B-R100](#) [1658549-1](#) [62674-221121ALF](#) [46214008010800](#)  
[046298003000883](#) [151660622](#) [842-816-2630-035](#) [AYF530665TA](#) [AYF351525](#) [046296011930846+](#) [AYF352325A](#) [046254020000800+](#)  
[FH19C-13S-0.5SH\(99\)](#) [FH39J-51S-0.3SHW\(99\)](#) [AYF355125A](#) [AYF530365TA](#) [FH29B-44S-0.2SHW\(99\)](#) [SFW5R-2STAE9LF](#) [AYF351125A](#)  
[AYF350725A](#) [62684-502100AHLF](#) [FH39-61S-0.3SHW\(99\)](#) [AYF414035A](#) [10064555-172520HLF](#) [AYF212335A](#) [504754-2500](#)