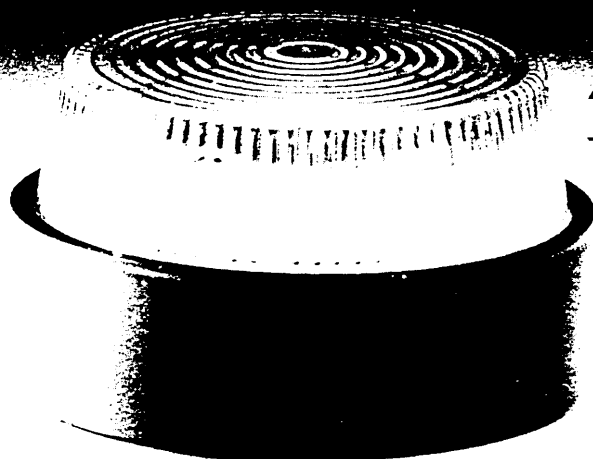


3  
YEAR  
GUARANTEE



- 223 - 700 to 785 -

# XENON BEACONS

## 1/2, 1 & 2 WATT

### LP SERIES

#### FEATURES

- ★ Extra low profile
- ★ Completely weatherproof (IP 67)
- ★ High Efficiency
- ★ Low current consumption
- ★ Spike suppression network fitted
- ★ -20°C to +55°C
- ★ Optional conduit/wall mounting base
- ★ British Made

#### APPLICATIONS

These rugged, easy to fit, low profile beacons are particularly suitable for mounting on external bell/sounder boxes. They also find wide fire and industrial applications.

#### SPECIFICATIONS

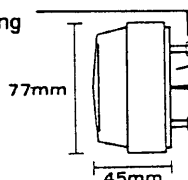
Part Nos.	Flash Rate		Voltage (V)	Voltage Range	Current (mA)
	60 Per Min.	120 Per Min.			
1/2 Watt	LP1x12/1/2C		12	10-15	50
	LP1x06/1C		6	4.7-7.5	240
1 Watt	LP1x12/1C*		12	10-15	115
	LP1x24/1C*		24	20-30	55
2 Watt	LP1x12/2C*	LP2x12/2C	12	10-15	220
	LP1x24/2C*	LP2x24/2C	24	20-30	110
	LP1x50/2C	LP2x50/2C	50	40-60	75
	LP1x110/2C	LP2x110/2C	110 ac	90-125	
	LP1x240/2C*	LP2x240/2C	240 ac	190-264	

Available with Clear, Amber, Red, Blue or Green lenses.  
The standard body colour is black.

#### DIMENSIONS

\*Preferred model

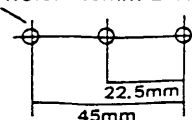
2xM5 studs 14mm long  
(Nuts and washers provided)



Neoprene Gasket for weatherproofing mounting drillings

2 p.v.c. covered leads  
16x0.2 600mm long

3 holes 5.5mm Dia.



Drilling for Bell Box or Panel Mounting

Specifications subject to change without notice.



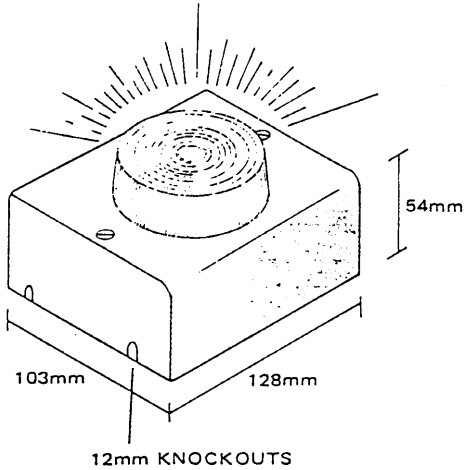
# delta design

- a division of NICOTECH Limited -

Primrose Hill, Kings Langley, Herts. WD4 8HD  
Tel: (0923) 269522 Fax: (0923) 260167

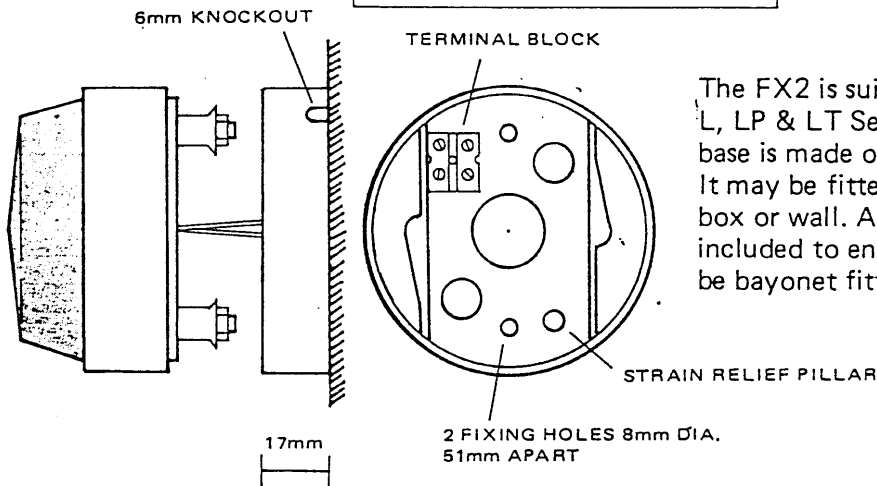
# BEACON MOUNTING ACCESSORIES

## FX1 MOUNTING BOX



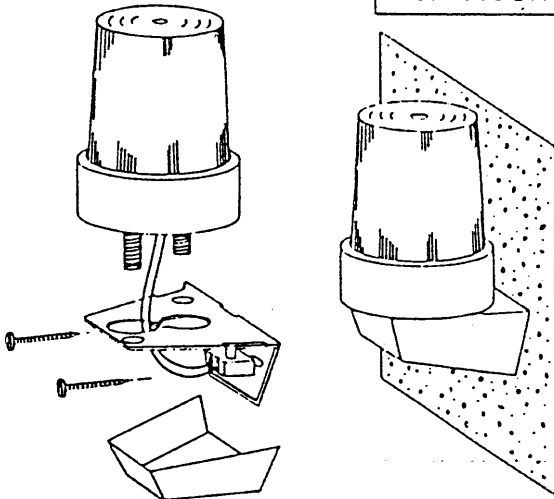
The FX1 is suitable for use with L, LP & LT Series beacons. It is made of grey, high impact polystyrene. Mounting accessories and terminal block are included. The box is suitable for internal wall or ceiling surface mounting of beacons.

## FX2 MOUNTING BASE



The FX2 is suitable for use with L, LP & LT Series beacons. The base is made of black ABS. It may be fitted to either a conduit box or wall. Accessories are included to enable the beacon to be bayonet fitted onto the base.

## FX4 MOUNTING BRACKET



The FX4 is suitable for use with LT Series Beacons. The bracket is made of black ABS and enables these beacons to be mounted on a wall or panel.

MAXIMUM OVERALL DIMENSIONS 86mmWx33mmDx63mmL

Specifications subject to change without notice.



# delta design

— a division of NICOTECH Limited —

Primrose Hill, Kings Langley, Herts. WD4 8HD  
Tel: (0923) 269522 Fax: (0923) 260167

14 5006/1

## **X-ON Electronics**

Largest Supplier of Electrical and Electronic Components

*Click to view similar products for [Hearing & Vision Aids](#) category:*

*Click to view products by [Delta](#) manufacturer:*

Other Similar products are found below :

[61432](#) [1225](#) [1301020021](#) [1301040058](#) [1301050019](#) [1301120070](#) [1301120177](#) [302SRL](#) [1677](#) [WT3C-20](#) [1652-12](#) [STR100](#) [61431](#) [61436](#)  
[AC-MAG30X](#) [1301910031](#) [1301120134](#) [1301120105](#) [1301120135](#) [1301120111](#) [1301120073](#) [1301120072](#) [1301040057](#) [1301040056](#)  
[1301040054](#) [WT6C-25](#) [1301080229](#) [1049](#) [H6A/V](#) [1301120068](#) [11477-00000-10](#) [SCH-A08975](#) [1083-3HON](#) [323526](#) [1301080015](#)  
[1301120128](#) [1301120129](#) [1301120132](#) [1301120133](#) [11513-00000-20](#) [311-1101](#) [H7A](#) [26700-230](#) [26505-ESL-XL5](#) [26505-MX5](#) [26505-LED-](#)  
[XL3](#) [26501-SIV-T5](#) [26501-LED-INX](#) [26535](#) [26536](#)