



Photo: DA 284, M40



Photo: DA 284, M12

UL Type 1, 4, 4X & IP 66 protection

Waterproof membrane

Easy to install

Two sizes - M40 & M12

Pressure differentials in a hermetically sealed enclosure are a result of the heat generated by electrical and electronic components in the enclosure, as well as the fluctuation of the outside temperature. In the case of negative pressure or vacuum, for example, dust and humidity can enter the enclosure through the door seal.

The DA 284 Vent Plug provides a protected enclosure environment for valuable and crucial components with a **UL 4X** rated degree of protection. A waterproof membrane inside the device allows air and humidity to leave the enclosure. Conversely, it only allows dry air into the enclosure while not allowing humidity and dust from the outside to enter.

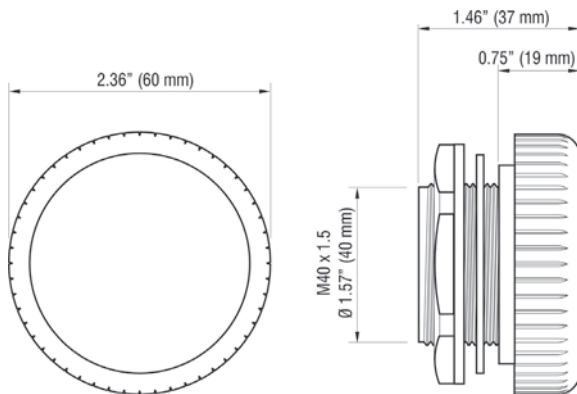


Technical Data

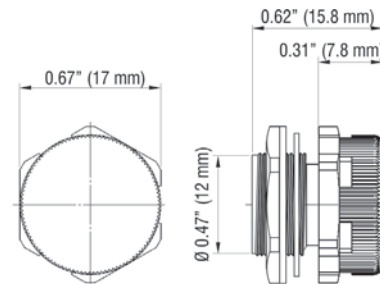
Mounting	thread with nut (see below)
Material	plastic, PA66, light grey
Sealing	NBR gasket
Filter	waterproof membrane
Operating/storage temperature	-49 to +158°F (-45 to 70°C)
Protection type	see below
Agency approvals	UL File No. E234324
Environmental rating	Type 1, 4 and 4X

Installation

Make cut-out in enclosure wall of 1.58 inches (40-40.2mm) for size M40 or 0.48 inches (12-12.2mm) for size M12, and mount vent plug with nut. Make sure that the sealing gasket is placed on the outer side of the enclosure. For optimal pressure compensation, it is recommended to use two devices on opposite sides towards the top of the enclosure.



Dimensional drawing: DA 284, M40



Dimensional drawing: DA 284, M12
(drawing is not proportional to M40)

Part No.	Model	Thread length (depth in enclosure)	Protection type	Air permeability ¹⁾	1 packing unit	Weight (approx.)
28405.0-00	M40 x 1.5	approx. 16mm	IP66 (EN 60529) / IPX9K (EN 40050-9)	1200 liters/hr	2 pieces	3.2 oz. (90g) total
28406.0-00	M12 x 1.5	approx. 10mm	IP66 (EN 60529)	120 liters/hr	2 pieces	0.14 oz. (4g) total

¹⁾ at a pressure difference of min. 70mbar

Specifications are subject to change without notice. Suitability of this product for its intended use and any associated risks must be determined by the end customer/ buyer in its final application.

X-ON Electronics

Largest Supplier of Electrical and Electronic Components

Click to view similar products for [stego manufacturer](#):

Other Similar products are found below :

[01870.0-30](#) [01872.0-30](#) [01873.0-30](#) [01874.0-30](#) [11884.0-30](#) [14003.0-00](#) [01805.0-00](#) [01925.0-00](#) [11870.0-00](#) [11873.0-00](#) [02541.1-03-0003](#)
[03082.0-01](#) [03082.0-00](#) [03084.0-00](#) [01131.2-01](#) [02031.0-00](#) [02032.0-00](#) [02035.0-10](#) [02540.0-03](#) [01131.9-00](#) [08605.0-00](#) [03114.0-00](#)
[01871.1-30](#) [01925.1-01](#) [12101.0-30](#) [01163.0-01](#) [01163.0-03](#) [01164.0-00](#) [01170.0-01](#) [01170.9-01](#) [08601.0-00](#) [01882.0-00](#) [14006.0-00](#)
[14008.0-00](#) [01802.0-00](#) [02820.0-06](#) [02701.0-00](#) [04640.0-00](#) [06020.0-00](#) [11802.0-00](#) [02540.0-00](#) [03202.9-00](#) [244358](#) [01131.2-00](#) [01610.0-01](#) [01231.1-00](#) [28410.0-00](#) [244356](#) [01185.1-00](#) [02034.0-00](#)