

TECHNICIAN'S TOOL CASE PLUS

TECHNIKER TASCHE PLUS

SACOCHÉ À OUTILS DE TECHNICIEN PLUS

MALETÍN PORTAHERRAMIENTAS
PLUS PARA TÉCNICOS



MA2632  4 46(A) x 42(B) x 21(C) cm

1 50 pockets and holders including fold out panels for easy tool access

50 Taschen und Halter, einschließlich ausklappbarem Fach für leichte Zugänglichkeit der Werkzeuge

50 poches et rangements, comprenant des panneaux dépliant pour un accès aux outils facilité

50 bolsillos y soportes, incluidos paneles desplegados para fácil acceso a las herramientas

2 100% waterproof and crackproof rubberised base

100% wasserdicht und bruchsicher durch gummierten Boden

Base caoutchouc 100% étanche et résistante aux déchirures

Base recubierta de goma 100% resistente al agua y a la rotura

3 Padded handle and shoulder strap for maximum comfort

Gepolsterter Griff und Schultergurt für optimalen Tragekomfort

Poignée et sangle rembourrées pour un confort maximum

Asa y bandolera acolchadas para el máximo confort

1



2



3



4



5

4 Padded central compartment fits laptop

Gepolstertes Mittelfach für Laptop geeignet
 Compartiment central rembourré pour accueillir un ordinateur portable
 Se puede guardar un portátil en el compartimiento acolchado central

5 Internal document pocket

Innen Dokumententaschen
 Poche à documents interne
 Bolsillo interior para documentos



Specifications

Basic Functions	Range	Best Accuracy
DC Voltage	200 mV / 2 V / 20 V / 200 V	± (0.5% + 1)
	1,000 V	± (0.8% + 2)
AC Voltage	200 mV	± (1.2% + 3)
	2 V / 20 V / 200 V	± (0.8% + 3)
	750 V	± (1.2% + 3)
DC Current	20 µA / 2 mA	± (0.8% + 1)
	200 mA	± (1.5% + 1)
	20 A	± (2% + 5)
AC Current	20 µA / 2 mA	± (1% + 3)
	200 mA	± (1.8% + 3)
	20 A	± (3% + 5)

Specifications

Basic Functions	Range	Best Accuracy
Resistance	200 Ω	$\pm (0.8\% + 3)$
	2 K Ω / 20 K Ω / 200 K Ω / 2 M Ω	$\pm (0.8\% + 1)$
	20 M Ω	$\pm (1\% + 2)$
	200 M Ω	$\pm (5\% (\text{reading} - 10) + 10)$
Capacitance	2 nF / 20 nF / 2 μ F	$\pm (4\% + 3)$
	100 μ F	$\pm (5\% + 4)$
Special Functions		
Diode		✓
Continuity Buzzer		✓
Data Hold		✓
Display Backlight		✓
Low Battery Display		✓
Input Impedance for DC Voltage Measurement	Around 10 M Ω	✓
Max. Display	1999	✓
General Characteristics		
Power	9 V Battery (6F22)	
LCD Size	64 x 32 mm	
Product Colour	Red and Grey	
Product Size	165 x 81 x 41.5 mm	
Standard Accessories	Test Lead; Battery, English Manual; Alligator Clip Test Lead	
Optional Accessories	No	

Part Number Table

Description	Part Number
Multimeter, Digital	72-7720

Important Notice : This data sheet and its contents (the "Information") belong to the members of the Premier Farnell group of companies (the "Group") or are licensed to it. No licence is granted for the use of it other than for information purposes in connection with the products to which it relates. No licence of any intellectual property rights is granted. The Information is subject to change without notice and replaces all data sheets previously supplied. The Information supplied is believed to be accurate but the Group assumes no responsibility for its accuracy or completeness, any error in or omission from it or for any use made of it. Users of this data sheet should check for themselves the Information and the suitability of the products for their purpose and not make any assumptions based on information included or omitted. Liability for loss or damage resulting from any reliance on the Information or use of it (including liability resulting from negligence or where the Group was aware of the possibility of such loss or damage arising) is excluded. This will not operate to limit or restrict the Group's liability for death or personal injury resulting from its negligence. TENMA™ is the registered trademark of the Group. © Premier Farnell plc 2011.

78 Electronics Super-Knips



DIN ISO 9654



78 03 125



78 13 125



78 23 125



78 31 125



78 41 125



78 71 125



78 61 125



Modell 78 61 125:

- ▶ also suitable for cutting glass fibre cables (fibre optics)

- ▶ precision pliers for ultra fine cutting work, e. g. in electronics and fine mechanics
- ▶ precision-ground cutting edges without bevel for flush cutting
- ▶ precision shaped tips also cut close sitting wire from 0.2 mm dia.
- ▶ joint with stainless steel rivet
- ▶ extremely smooth movement for minimum operator fatigue
- ▶ with opening spring and restricted opening

Style 0; 1; 2:

- ▶ INOX - stainless steel
- ▶ cutting edge hardness approx. 54 HRC

Style 2:

- ▶ with 60° angled blades

Style 3; 4; 6; 7:

- ▶ special tool steel

Style 3; 4:

- ▶ cutting edge hardness approx. 60 HRC

Style 1; 4; 7:

- ▶ with lead catcher - no uncontrolled loss of cut wire ends

Style 6; 7:

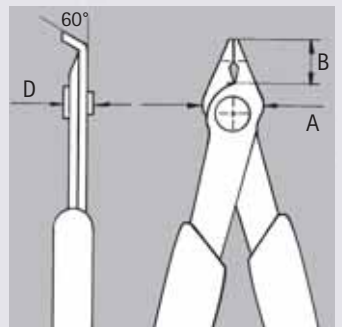
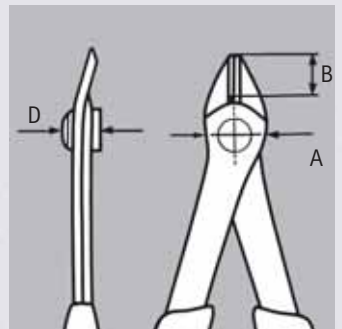
- ▶ cutting edges additionally induction hardened, cutting edge hardness approx. 64 HRC

KNIPLEX
special

KNIPLEX Super-Knips have precision ground cutting edges for clean, flush cutting. The very smooth joint and the opening spring provide high operation comfort.



Angled blades for clean cut also in confined areas



Article-No.	EAN-Code	Style	Head	Handles	Dimensions			Cutting capacities			g
					B	A	D	∅ mm	∅ mm	∅ mm	
78 03 125	035381	0	INOX	with two-colour	9.0	13.5	7.5	0.2-1.6	1.0	-	45
78 13 125	035398	1	INOX	dual component handles	9.0	13.5	7.5	0.2-1.6	1.0	-	50
78 23 125	043096	2	INOX		5.5	13.5	7.5	0.2-1.0	0.6	-	45
78 31 125	039778	3	burnished		9.0	12.5	7.5	0.2-1.0	-	-	50
78 41 125	040767	4	burnished		9.0	12.5	7.5	0.2-1.0	-	-	50
78 61 125	035404	6	burnished		9.0	13.5	7.5	0.2-1.6	1.2	0.6	45
78 71 125	043799	7	burnished		9.0	13.5	7.5	0.2-1.6	1.2	0.6	50

15 Piece Precision Screwdriver Set

DURATOOL



New

- Cushion handle provides super soft comfortable grip allowing use over prolonged periods
- Supplied in a convenient plastic carry case

Set contents:

Slotted - 2 x 65mm, 2.5 x 65mm, 3 x 65mm, 4 x 65mm

Phillips - PH000 x 65mm, PH00 x 65mm, PH0 x 65mm, PH1 x 65mm

Torx - T6 x 50mm, T7 x 50mm, T8 x 50mm, T9 x 50mm, T10 x 50mm, T15 x 50mm, T20 x 50mm

482105.462293

Order Code
144-7570

Price/Set

X-ON Electronics

Authorized Distributor

Click to view similar products for [Screwdrivers, Nut drivers & Socket Drivers](#) category.

Click to view products by [CK Magma](#) manufacturer.

Other Similar products are found below :

[0000100705100](#) [92092](#) [1200154](#) [1200155](#) [1200156](#) [1200158](#) [1200153](#) [1212476](#) [1212532](#)
[1212564](#) [1212585](#) [1212595](#) [1212596](#) [1212648](#) [HS8](#) [20790](#) [P5](#) [28390](#) [28502](#) [28507](#)
[SB9529S8](#) [9922BP](#) [99250](#) [27755](#) [30244](#)