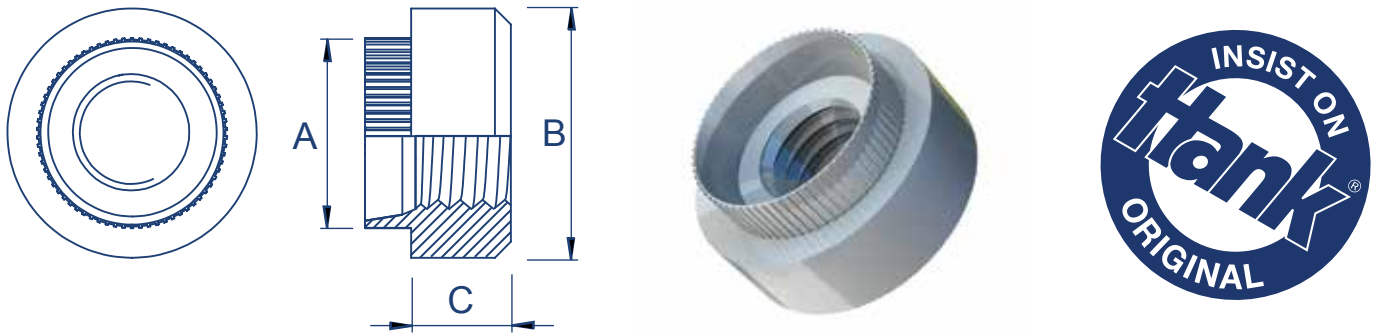


TR Hank® Rivet Bushes

Serrated Spigot (RH)



Zinc Plated Steel



Metric Dimensions

Thread form		M2.5	M3	M3.5	M4	M5	M6	M8	M10	M12
Diameter of spigot +0.00 -0.13mm	A	5.54	5.54	6.73	6.73	7.92	9.52	12.70	15.87	19.05
Diameter across body ±0.15mm	B	7.92	7.92	9.52	9.52	11.10	12.70	15.87	19.05	25.40
Depth of body ±0.13mm	C	3.17	3.17	3.17	3.17	3.81	5.08	6.35	7.62	10.16
Recommended hole size +0.05 -0.00mm		5.54	5.54	6.73	6.73	7.92	9.52	12.70	15.87	19.05

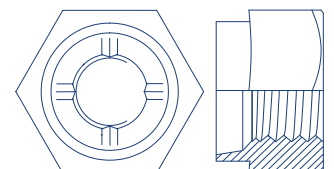
Preferred Range

Thread (d)	M2.5	M3	M3.5	M4	M5	M6	M8	M10	M12
Gauge Size	6								
	8								
	10		M3-RHST10TC1-		M4-RHST10TC1-	M5-RHST10TC1-	M6-RHST10TC1-		
	12		M3-RHST12TC1-		M4-RHST12TC1-	M5-RHST12TC1-	M6-RHST12TC1-		
	14		M3-RHST14TC1-		M4-RHST14TC1-	M5-RHST14TC1-	M6-RHST14TC1-		
	16		M3-RHST16TC1-		M4-RHST16TC1-	M5-RHST16TC1-	M6-RHST16TC1-		
	18		M3-RHST18TC1-		M4-RHST18TC1-	M5-RHST18TC1-	M6-RHST18TC1-		
	20		M3-RHST20TC1-		M4-RHST20TC1-	M5-RHST20TC1-	M6-RHST20TC1-		

Hank-Loc® version available

Please note: Hank-Locking is a process applied to our standard rivet bush ranges giving them a locking feature

Example of the Hank-Loc® feature:

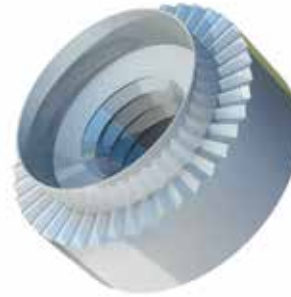
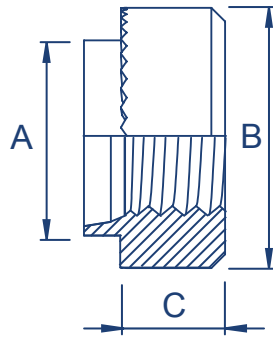
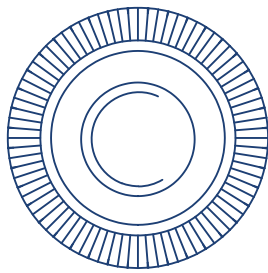


TR Hank® Rivet Bushes

Serrated Face (HK)



Zinc Plated Steel



Metric Dimensions

Thread form		M2.5	M3	M3.5	M4	M5	M6	M8	M10	M12
Diameter of spigot +0.00 -0.13mm	A	5.54	5.54	6.73	6.73	7.92	9.52	12.70	15.87	19.05
Diameter across body ±0.15mm	B	7.92	7.92	9.52	9.52	11.10	12.70	15.87	19.05	25.40
Depth of body ±0.13mm	C	3.17	3.17	3.17	3.17	3.81	5.08	6.35	7.62	10.16
Recommended hole size +0.05 -0.00mm		5.54	5.54	6.73	6.73	7.92	9.52	12.70	15.87	19.05

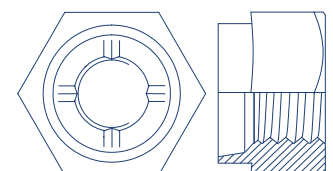
Preferred Range

Thread (d)		M2.5	M3	M3.5	M4	M5	M6	M8	M10	M12
Gauge Size	8									
	10		M3-HKST10TC1S/ FACE		M4-HKST10TC1S/ FACE	M5-HKST20TC1S/ FACE	M6-HKST10TC1S/ FACE	M8-HKST10TC1S/ FACE		
	12		M3-HKST12TC1S/ FACE		M4-HKST12TC1S/ FACE		M6-HKST12TC1S/ FACE	M8-HKST12TC1S/ FACE		
	14		M3-HKST14TC1S/ FACE		M4-HKST14TC1S/ FACE	M5-HKST14TC1S/ FACE	M6-HKST14TC1S/ FACE	M8-HKST14TC1S/ FACE		
	16		M3-HKST16TC1S/ FACE		M4-HKST16TC1S/ FACE	M5-HKST16TC1S/ FACE	M6-HKST16TC1S/ FACE	M8-HKST16TC1S/ FACE		
	18		M3-HKST18TC1S/ FACE		M4-HKST18TC1S/ FACE	M5-HKST18TC1S/ FACE	M6-HKST18TC1S/ FACE	M8-HKST18TC1S/ FACE		
	20		M3-HKST20TC1S/ FACE		M4-HKST20TC1S/ FACE	M5-HKST20TC1S/ FACE	M6-HKST20TC1S/ FACE			

Hank-Loc® version available

Please note: Hank-Locking is a process applied to our standard rivet bush ranges giving them a locking feature

Example of the Hank-Loc® feature:

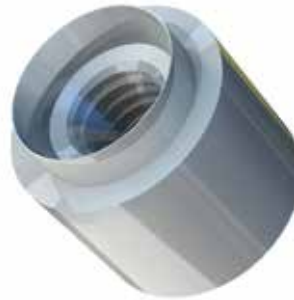
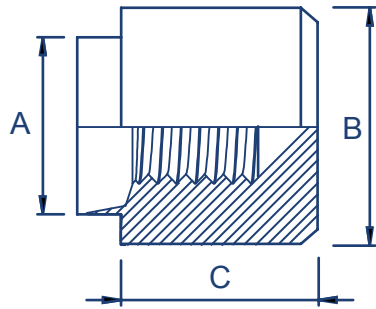
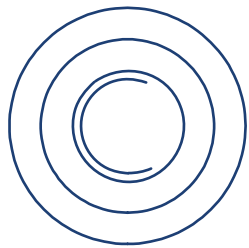


TR Hank® Rivet Bushes

Tank Bush (TA)



Zinc Plated Steel



Metric Dimensions

Thread form		M3	M4	M5	M6	M8	M10	M12
Diameter of spigot +0.00 -0.13mm	A	5.54	6.73	7.92	9.52	12.70	15.87	19.05
Diameter across body ±0.15mm	B	7.92	9.52	11.10	12.70	15.87	19.05	25.40
Depth of body ±0.13mm	C	8.61	8.97	9.32	10.57	11.89	16.50	19.05
Recommended hole size +0.05 -0.00mm		5.54	6.73	7.92	9.52	12.70	15.87	19.05

Preferred Range

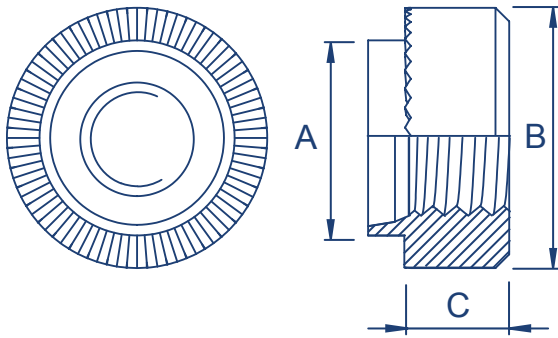
Thread (d)		M3	M4	M5	M6	M8	M10	M12
Gauge Size	10		M4-TAST10TC1-	M5-TAST10TC1-	M6-TAST10TC1-			
	12							
	14		M4-TAST14TC1-	M5-TAST14TC1-	M6-TAST14TC1-			
	16		M4-TAST16TC1-	M5-TAST16TC1-	M6-TAST16TC1-	M8-TAST16TC1-		
	18		M4-TAST18TC1-	M5-TAST18TC1-				
	20		M4-TAST20TC1-	M5-TAST20TC1-				

TR Hank® Rivet Bushes

Mini Sert (RM)



Zinc Plated Steel



Metric Dimensions

Thread form		M2	M2.5	M3	M3.5	M4	M5	M6	M8	M10	M12
Diameter of spigot +0.00 -0.13mm	A	3.50	4.19	4.19	5.41	5.41	6.40	7.70	9.70	12.70	15.87
Diameter across body ±0.15mm	B	5.00	5.50	5.50	7.00	7.00	8.50	10.00	12.00	16.00	19.00
Depth of body ±0.13mm	C	2.30	2.80	2.80	3.20	3.20	3.80	5.10	6.50	7.60	7.60
Recommended hole size +0.05 -0.00mm		3.50	4.19	4.19	5.41	5.41	6.40	7.70	9.70	12.70	15.87

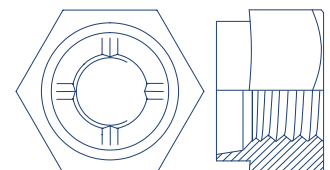
Preferred Range

Thread (d)	M2	M2.5	M3	M3.5	M4	M5	M6	M8	M10	M12
Sheet Thickness	0.6									
	0.8									
	1.0	M2-RMSTTC110								
	1.2	M2-RMSTTC112								
	1.6	M2-RMSTTC116								
	2.0	M2-RMSTTC120								
	2.5									
	3.0									
	3.3									
	3.6									
4.9										

Hank-Loc® version available

Please note: Hank-Locking is a process applied to our standard rivet bush ranges giving them a locking feature

Example of the Hank-Loc® feature:



X-ON Electronics

Largest Supplier of Electrical and Electronic Components

Click to view similar products for [hank](#) manufacturer:

Other Similar products are found below :

[M4-RHST10TC1-](#) [M3-RHST16TC1-](#)