

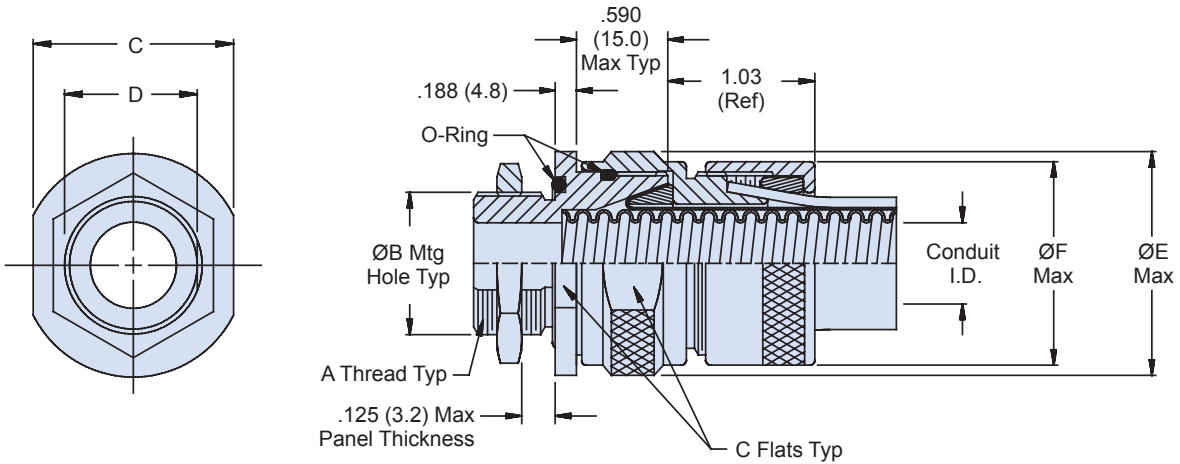
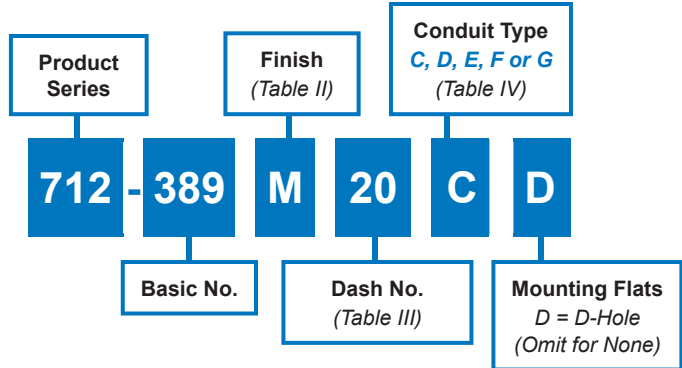


**712-389**  
**Heavy-Duty Ground Ring System**  
**Bulkhead Fitting with Ground Ring**  
**Shield Termination for Series 74 Helical Convuluted Tubing**

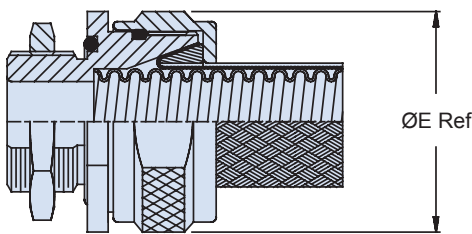
**Heavy-Duty convoluted tubing-to-bulkhead fitting**



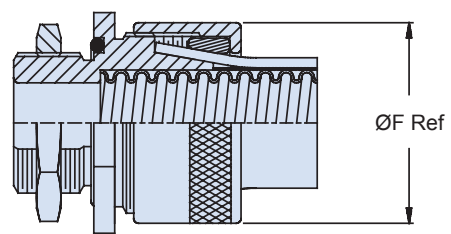
**How To Order**



**Types C & F**  
**Environmental**



**Types D, & E**  
**Non-Environmental**



**Type G**  
**Environmental**

**Material/Finish**

- Adapters, hex nuts, nuts, ferrules: See Table II
- O-Rings: Silicone/N.A.

712-389

# Heavy-Duty Ground Ring System

## Bulkhead Fitting with Ground Ring

### Shield Termination for Series 74 Helical Convuluted Tubing

Series 74  
Helical Tubing

Table III: Dash No./Dimensions

| Dash No. | Conduit ID   |              | A Thread Class 2A | Ø B +.03 (0.8) -.00 (0.0) | C Across Flat | D +.000 -.015 | Ø E Max     | Ø F Max     |
|----------|--------------|--------------|-------------------|---------------------------|---------------|---------------|-------------|-------------|
|          | Min          | Max          |                   |                           |               |               |             |             |
| 06       | .181 (4.6)   | .188 (4.8)   | 7/16 - 28 UNEF    | .440 (11.2)               | .937 (23.8)   | .375 (9.5)    | 1.09 (27.7) | .780 (19.8) |
| 09       | .273 (6.9)   | .281 (7.1)   | 9/16 - 24 UNEF    | .560 (14.2)               | 1.00 (25.4)   | .500 (12.7)   | 1.16 (29.5) | 1.03 (26.2) |
| 10       | .306 (7.8)   | .312 (7.9)   | 9/16 - 24 UNEF    | .560 (14.2)               | 1.06 (27.0)   | .500 (12.7)   | 1.22 (31.0) | 1.03 (26.2) |
| 12       | .359 (9.1)   | .375 (9.5)   | 5/8 - 24 UNEF     | .630 (16.0)               | 1.13 (28.6)   | .563 (14.3)   | 1.28 (32.5) | 1.03 (26.2) |
| 14       | .427 (10.8)  | .437 (11.1)  | 11/16 - 24 UNEF   | .690 (17.5)               | 1.19 (30.1)   | .625 (15.9)   | 1.34 (34.0) | 1.22 (31.0) |
| 16       | .480 (12.2)  | .500 (12.7)  | 3/4 - 20 UNEF     | .750 (19.1)               | 1.25 (31.8)   | .688 (17.5)   | 1.41 (35.8) | 1.28 (32.5) |
| 20       | .603 (16.0)  | .625 (15.9)  | 7/8 - 20 UNEF     | .880 (22.4)               | 1.38 (34.9)   | .812 (20.6)   | 1.53 (38.9) | 1.41 (35.8) |
| 24       | .725 (18.4)  | .750 (19.1)  | 1 - 20 UNEF       | 1.00 (25.4)               | 1.50 (38.1)   | .938 (23.8)   | 1.66 (42.2) | 1.53 (38.9) |
| 28       | .860 (21.8)  | .875 (22.2)  | 13/16 - 18 UNEF   | 1.19 (30.2)               | 1.63 (41.3)   | 1.130 (28.6)  | 1.78 (45.2) | 1.71 (43.4) |
| 32       | .970 (24.6)  | 1.000 (25.4) | 15/16 - 18 UNEF   | 1.31 (33.3)               | 1.75 (44.5)   | 1.250 (31.8)  | 1.91 (48.5) | 1.84 (46.7) |
| 40       | 1.205 (30.6) | 1.250 (31.8) | 1 1/2 - 18 UNEF   | 1.50 (38.1)               | 2.13 (54.0)   | 1.440 (36.5)  | 2.28 (57.9) | 2.16 (54.9) |
| 48       | 1.437 (36.5) | 1.500 (38.1) | 1 3/4 - 18 UNS    | 1.75 (44.5)               | 2.44 (61.9)   | 1.690 (42.9)  | 2.59 (65.8) | 2.46 (62.5) |
| 56       | 1.688 (42.9) | 1.750 (44.5) | 2 - 18 UNS        | 2.00 (50.8)               | 2.75 (69.9)   | 1.940 (49.2)  | 2.91 (73.9) | 2.78 (70.6) |
| 64       | 1.937 (49.2) | 2.000 (50.8) | 2 1/4 - 16 UN     | 2.25 (57.2)               | 2.88 (73.0)   | 2.190 (55.6)  | 3.03 (77.0) | 3.03 (77.0) |

Table II: Finish

| Sym | Material       | Finish Description  |
|-----|----------------|---|
| B   | AL Alloy       | Olive Drab over Cadmium Plate   |
| J   |                | Gold Iridite over Cadmiup Plate over Nickel                                 |
| M   |                | Electroless Nickel  |
| N   |                | Olive Drab over Cadmium Plate over Nickel                                   |
| NC  |                | Zinc-Cobalt, Olive Drab   |
| NF  |                | Olive Drab over Cadmium Plate over Electroless Nickel (500 Hour Salt Spray) |
| T   |                | Bright Dip Cadmium Plate over Nickel  |
| Z1  | 300 Series SST | Passivate   |

Table IV: Conduit Type

| Conduit Type | Part Number | Configuration                              |
|--------------|-------------|--|
| C            | 121-100     | Tubing with braided shield and jacket      |
| D            | 121-101     | Tubing with braided shield                 |
| E            | 121-102     | Tubing with two braided shields            |
| F            | 121-103     | Tubing with two braided shields and jacket |
| G            | 123-100     | Tubing with jacket                         |

## X-ON Electronics

Largest Supplier of Electrical and Electronic Components

*Click to view similar products for [Circular MIL Spec Strain Reliefs & Adapters](#) category:*

*Click to view products by [Glenair](#) manufacturer:*

Other Similar products are found below :

[896227-000](#) [899170S004](#) [6000-063-0022](#) [613751-000](#) [CS6624-000](#) [620AB038Z136](#) [620AS001Z108](#) [620AS038Z112](#) [620AS038Z120](#)  
[620AS038Z132](#) [620FB038NF08](#) [620HA038NF13](#) [620HA038NF25](#) [620HA042XM13](#) [620HB049NF17](#) [620HS011NF21](#) [620HS038NF11](#)  
[620HS038Z121](#) [620HS042XM19](#) [620HS042XM25](#) [620HS042XW13](#) [620HS048B17](#) [620MS064NF09](#) [620MS064NF12](#) [620MS065M12](#)  
[620MS065Z107](#) [620MS065ZNU06](#) [630J041M06H](#) [630J041M20H](#) [637S010NF0212H](#) [640830-000](#) [659943-000](#) [66241-10A](#) [CW0597-000](#)  
[CW0598-000](#) [CW0948-000](#) [CY0122-000](#) [M85049/41-6A W/B](#) [M85049/42-12DS](#) [M85049/47N8](#) [M85049/47W18](#) [M85049/51-1-14S](#)  
[M85049/51-1-8W](#) [M85049/51S16S](#) [M85049/60-1N16](#) [M85049/60-2G12W](#) [M85049/69-11N](#) [CZ3661-000](#) [D02922-000](#) [70.360.1628.0](#)