

**Industrial Ethernet
IE-FC-SFP-KEY**

Weidmüller Interface GmbH & Co. KG
Klingenbergstraße 16
D-32758 Detmold
Germany
Fon: +49 5231 14-0
Fax: +49 5231 14-292083
www.weidmueller.com



FrontCom® Vario integrates multiple functions in only one single frame. The system is easy to install and you can select from a wide range of data, signal and power modules. In addition to being extremely compact, FrontCom® Vario offers a number of unique product features that will make your project planning and work activities secure, fast and future-proof. Furthermore, the FrontCom® Vario system has an attractive housing design that, by the way, offers highest impact-resistance and fully meets the requirements of IP 65 protection class.

General ordering data

Type	IE-FC-SFP-KEY
Order No.	1450520000
Version	FrontCom, Frame, Plastic cover, Lockable with key
GTIN (EAN)	4050118255232
Qty.	1 pc(s).

Data sheet

**Industrial Ethernet
IE-FC-SFP-KEY**

Weidmüller Interface GmbH & Co. KG
 Klingenbergstraße 16
 D-32758 Detmold
 Germany
 Fon: +49 5231 14-0
 Fax: +49 5231 14-292083
 www.weidmueller.com

Technical data

Dimensions and weights

Length	134 mm	Width	67 mm
Height	27.5 mm	Wall thickness, max.	5 mm
Wall thickness, min.	1 mm	Net weight	360 g

Temperatures

Operating temperature	-40 °C...70 °C	Storage temperature	
Installation temperature			

General data

Material cover	Polycarbonate PC	Material frame	Zinc diecast
Product type	Frame, Plastic cover, Lockable with key	Protection degree	IP 65 in enclosed state

Standards

Certificate No. (GERMLLOYD)	13866-15
-----------------------------	----------

Classifications

ETIM 5.0	EC000456	ETIM 6.0	EC000456
UNSPSC	31-16-23-03	eClass 6.2	27-25-05-04
eClass 7.1	27-18-92-17	eClass 8.1	27-18-92-17
eClass 9.0	27-18-92-17		

Approvals

Approvals



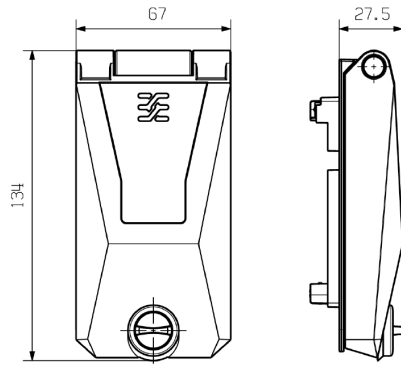
Data sheet

**Industrial Ethernet
IE-FC-SFP-KEY**

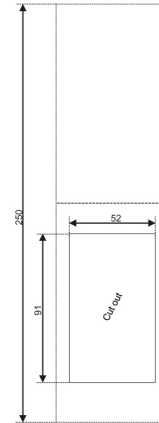
Weidmüller Interface GmbH & Co. KG
Klingenbergstraße 16
D-32758 Detmold
Germany
Fon: +49 5231 14-0
Fax: +49 5231 14-292083
www.weidmueller.com

Drawings

Dimensioned drawing



Installation cut-out



**Industrial Ethernet
IE-FC-SFP-KEY**

Weidmüller Interface GmbH & Co. KG
 Klingenbergstraße 16
 D-32758 Detmold
 Germany
 Fon: +49 5231 14-0
 Fax: +49 5231 14-292083
 www.weidmueller.com

Accessories

Blank, adhesive backing



SM is a MultiCard marker for labelling control and signalling devices. The tags are clipped into the carriers or attached by means of the adhesive film already fitted to them. Customised tags can be created with the PrintJet PRO, MCP Plus plotter, MCP Basic or MC-Mobilo marking systems.

- Users can quickly produce tags to suit their needs
- No need to stock expensive standard tags
- Highly resistant printing quality when using the PrintJet as a substitute for engraving
- For extreme demands, we recommend the ETO SM protective film
- Holders can be used for the 22-mm-diameter push-buttons from Siemens, ABB, Moeller and Télémécanique

General ordering data

Type	Order No.	Version	GTIN (EAN)	Qty.
SM 27/18 K MC NE GR	1073340000	SwitchMark, Device markers, 18 x 27 mm, Grey	4032248831425 80 pc(s).	
SM 27/18 K MC NE WS	1707270000	SwitchMark, Device markers, 18 x 27 mm, White	4008190925116 80 pc(s).	
2014-12-31T08:00:00+01:00 SM 27/18 K MC NE SI	1713760000		SwitchMark, Device markers, 18 x 27 mm, Silver	4008190331177 80 pc(s).

**Industrial Ethernet
IE-FC-SFP-KEY**

Weidmüller Interface GmbH & Co. KG
Klingenbergstraße 16
D-32758 Detmold
Germany
Fon: +49 5231 14-0
Fax: +49 5231 14-292083
www.weidmueller.com

Accessories

Blank



ESG is the tried-and-tested marker in MultiCard format for use on many well-known electrical devices. The result is high-quality device marking with a high-contrast appearance.

Various types are available for devices from the following manufacturers:

- Siemens
- Télémecanique
- ABB
- Beckhoff
- Lumberg
- Tags for all-purpose usage; self-adhesive or clip-on tags, depending on the type

Advantages at a glance:

- Tags for universal usage, self-adhesive or clip-on tags, depending on type
- For aligned equipment, e.g. circuit breakers, we supply ESG markers for clipping onto tag rails
- Individual laser-quality printing according to specifications

General ordering data

Type	Order No.	Version	GTIN (EAN)	Qty.
ESG 7/20	1736181044	ESG, Device markers, 20	4008190985950	200 pc(s).
SIRIUS MC NE		x 7 mm, Polyamide 66,		
WS		Colour: White, pluggable		

Accessories



Accessories

FrontCom® Vario integrates multiple functions in only one single frame. The system is easy to install and you can select from a wide range of data, signal and power modules. In addition to being extremely compact, FrontCom® Vario offers a number of unique product features that will make your project planning and work activities secure, fast and future-proof. Furthermore, the FrontCom® Vario system has an attractive housing design that, by the way, offers highest impact-resistance and fully meets the requirements of IP 65 protection class.

General ordering data

Type	Order No.	Version	GTIN (EAN)	Qty.
IE-FC-PWPC	1450820000	FrontCom, Touch-safe protection	4050118255584	1 pc(s).
IE-FC-KEY	1465930000	FrontCom, Spare key	4050118272314	1 pc(s).

X-ON Electronics

Largest Supplier of Electrical and Electronic Components

Click to view similar products for [weidmuller](#) manufacturer:

Other Similar products are found below :

[8924550000](#) [56956](#) [0133660000](#) [6720000227](#) [6720005111](#) [68676](#) [69718](#) [EXO24CH](#) [7760056106](#) [7940000218](#) [8005181001](#) [8008180000](#)
[8432240000](#) [8463580000](#) [8545830000](#) [8689870000](#) [8705640000](#) [9001080000](#) [9003720000](#) [9004250000](#) [9004780000](#) [9013260000](#)
[9014100000](#) [9019040000](#) [9026010000](#) [9028630000](#) [903708](#) [9037350000](#) [9046290000](#) [9129643500](#) [913155](#) [9159530000](#) [919656](#) [919764](#)
[9202230000](#) [9202850000](#) [9456750000](#) [9457913000](#) [980811](#) [980826](#) [9912800003](#) [9916080000](#) [9916280012](#) [9918380000](#) [9919371205](#)
[9919371224](#) [9925710000](#) [9926252005](#) [9927480024](#) [1166660000](#)