

DESCRIPTION: ABOVE PCB, DECK AND PUSH ROD LOCATION ARE AS VIEW BY USER.

PRODUCT NO. 71299-XXXX	PUSH-ROD LOCATION	STAND-OFF HEIGHT	Ⓐ HEADER ASSY 71249-XXXX OR 61519-XXXX	Ⓑ MECHANISM ASSY 72336-XXXX	Ⓒ MATING RECEPTACLE	MOUNTING STYLE TO PCB AND PUSH-ROD SIDE
000CA	RIGHT	0.0	0000	72336-000CA	100 POSITION (2X50) 0.8mm RECEPTACLE PART NO. 73277-101000  PURCHASE SEPARATELY	
020CA	RIGHT	2.2	0022	72336-022CA		
040CA	RIGHT	4.3	0043	72336-043CA		
050CA	RIGHT	5.0	0050	72336-050CA		
050FA ②	RIGHT	5.0	0050	72336-050FA		
100CA	LEFT	0.0	0000	72336-100CA		
120CA	LEFT	2.2	0022	72336-122CA		
140CA	LEFT	4.3	0043	72336-143CA		
150CA	LEFT	5.0	0050	72336-150CA		
005CA	RIGHT	0.0	0500	72336-000CA		
025CA	RIGHT	0.0	0522	72336-000CA		
045CA	RIGHT	0.0	0543	72336-000CA		
055CA	RIGHT	0.0	0550	72336-000CA		
105CA	LEFT	0.0	0500	72336-100CA		
125CA	LEFT	0.0	0522	72336-100CA		
145CA	LEFT	0.0	0543	72336-100CA		
155CA	LEFT	0.0	0550	72336-100CA		

**ORDERING INFORMATION**

ORDER:

- EJECT HEADER ASSY (71299-XXXX/XXXXLF)
- MATING RECEPTACLE (73277-101000/101402LF)

NOTE:

- SEE 71240 FOR DOUBLE-DECK APPLICATIONS.
- PUSH BUTTON LENGTH IS 21mm FOR 71299-050FA & 71299-050FALF(LEAD-FREE TYPE)

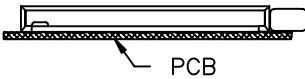
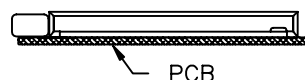




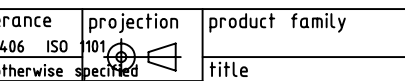


mat'l. code		surface ISO 1302		tolerance ISO 406 ISO 1101		projection 1:1		product family	
ltr	ecn no	dr	date	tolerances unless otherwise specified		title		CARDBUS SINGLE DECK ASSY SMT TYPE 123	
L	V20120	RGD	1/18/02	linear	.X±.3	MM		dwg no	
M	V03-0552	WL	05/29/03	angles	.XX±.13	←		sheet 1 of 1 size	
N	T04-0316	WL	07/12/04	±2'	.XXX±.051	scale:1:1		71299 A4	
P	N05-0034	WB	02/16/05	dr	R.GRAPE	7/3/96		type CUSTOMER Drawing	
R	N08-0060	MZ	06/20/05	enr	D.BRANN	7/3/96			
				chr	D.BRANN	7/3/96			
				appd	D.BRANN	7/3/96			
sheet	revision	R	R	R	R	R	R	R	R
index	sheet	1	2	3	4	5	6	7	8

FCI CONFIDENTIAL



This document is the property of and embodies CONFIDENTIAL and PROPRIETARY information of FCI. No part of the information shown on this document may be used in any way or disclosed to others without the written consent of FCI. Copyright FCI.

DESCRIPTION: ABOVE PCB, DECK AND PUSH ROD LOCATION ARE AS VIEW BY USER.

PRODUCT NO. 71299-XXXX	PUSH-ROD LOCATION	STAND-OFF HEIGHT	Ⓐ HEADER ASSY 71249-XXXX OR 61519-XXXX	Ⓑ MECHANISM ASSY 72336-XXXX	Ⓒ MATING RECEPTACLE	MOUNTING STYLE TO PCB AND PUSH-ROD SIDE
000CALF	RIGHT	0.0	0000MLF	72336-000CA	100 POSITION (2X50) 0.8mm RECEPTACLE PART NO. 73277-101000 OR 73277-101402LF PURCHASE SEPARATELY	
020CALF	RIGHT	2.2	0022MLF	72336-022CA		
040CALF	RIGHT	4.3	0043MLF	72336-043CA		
050CALF	RIGHT	5.0	0050MLF	72336-050CA		
050FALF ②	RIGHT	5.0	0050MLF	72336-050FA		
100CALF	LEFT	0.0	0000MLF	72336-100CA		
120CALF	LEFT	2.2	0022MLF	72336-122CA		
140CALF	LEFT	4.3	0043MLF	72336-143CA		
150CALF	LEFT	5.0	0050MLF	72336-150CA		
151CALF	LEFT	5.0	0050MLF	52219-150HAM		
005CALF	RIGHT	0.0	0500MLF	72336-000CA		
025CALF	RIGHT	0.0	0522MLF	72336-000CA		
045CALF	RIGHT	0.0	0543MLF	72336-000CA		
055CALF	RIGHT	0.0	0550MLF	72336-000CA		
105CALF	LEFT	0.0	0500MLF	72336-100CA		
125CALF	LEFT	0.0	0522MLF	72336-100CA		
145CALF	LEFT	0.0	0543MLF	72336-100CA		
155CALF	LEFT	0.0	0550MLF	72336-100CA		
156CALF	LEFT	0.0	0550MLF	52219-100HAM		


ORDERING INFORMATION

ORDER:

- EJECT HEADER ASSY (71299-XXXX/XXXXLF)
- MATING RECEPTACLE (73277-101000/101402LF)

NOTE:

- SEE 71240 FOR DOUBLE-DECK APPLICATIONS.
- PUSH BUTTON LENGTH IS 21mm FOR 71299-050FA & 71299-050FALF(LEAD-FREE TYPE)

mat'l. code		surface	tolerance	projection	product family
ISO 1302		ISO 406	ISO 1101		
ltr	ecn no	dr	date	tolerances unless otherwise specified	
R				angles	linear
				±2'	.X±.3
					.XX±.13
					.XXX±.051
				dr	R.GRAPE 7/3/96
				enr	D.BRANN 7/3/96
				chr	D.BRANN 7/3/96
				appd	D.BRANN 7/3/96
sheet	revision				
index	sheet				
				title	CARDBUS SINGLE DECK ASSY SMT TYPE 123
				dwg no	71299
				sheet	2 of 11
				size	A4
				type	CUSTOMER Drawing



FCI CONFIDENTIAL



FCIconnect.com

This document is the property of and embodies CONFIDENTIAL and PROPRIETARY information of FCI. No part of the information shown on this document may be used in any way or disclosed to others without the written consent of FCI. Copyright FCI.

DESCRIPTION: BELOW PCB, DECK AND PUSH ROD LOCATION ARE AS VIEWED BY USER

PRODUCT NO. 71299-XXXX	PUSH-ROD LOCATION	STAND-OFF HEIGHT	(A) HEADER ASSY 71249-XXXX	(B) MECHANISM ASSY 72337-XXXX	(C) MATING RECEPTACLE	MOUNTING STYLE TO PCB AND PUSH-ROD SIDE
520CA	RIGHT	2.2	5022	72337-122CA	100 POSITION (2X50) 0.8mm RECEPTACLE PART NO. 73277-101000 73277-101402LF	
540CA	RIGHT	4.3	5043	72337-143CA		
550CA	RIGHT	5.0	5050	72337-150CA		
520CALF	RIGHT	2.2	5022LF	72337-122CA		
540CALF	RIGHT	4.3	5043LF	72337-143CA		
550CALF	RIGHT	5.0	5050LF	72337-150CA		
620CA	LEFT	2.2	5022	72337-022CA		
640CA	LEFT	4.3	5043	72337-043CA		
650CA	LEFT	5.0	5050	72337-050CA		
620CALF	LEFT	2.2	5022LF	72337-022CA		
640CALF	LEFT	4.3	5043LF	72337-043CA		
650CALF	LEFT	5.0	5050LF	72337-050CA		
525CA	RIGHT	0.0	5522	72337-100CA		
545CA	RIGHT	0.0	5543	72337-100CA		
555CA	RIGHT	0.0	5550	72337-100CA		
① 555DA	RIGHT	0.0	5550	72337-100DA		
525CALF	RIGHT	0.0	5522LF	72337-100CA		
545CALF	RIGHT	0.0	5543LF	72337-100CA		
555CALF	RIGHT	0.0	5550LF	72337-100CA		
① 555DALF	RIGHT	0.0	5550LF	72337-100DA		
625CA	LEFT	0.0	5522	72337-000CA		
645CA	LEFT	0.0	5543	72337-000CA		
655CA	LEFT	0.0	5550	72337-000CA		
625CALF	LEFT	0.0	5522LF	72337-000CA		
645CALF	LEFT	0.0	5543LF	72337-000CA		
655CALF	LEFT	0.0	5550LF	72337-000CA		

**ORDERING INFORMATION**

ORDER:

- EJECT HEADER ASSY (71299-XXXX/XXXXLF)
- MATING RECEPTACLE (73277-101000/101402LF)

- NOTES:
- 555DA HAS 15.6mm PUSH BUTTON RETURN LENGTH INSTEAD OF 13.0mm.
  - BELOW P.C.B., 0.0mm STAND-OFF IS NOT AVAILABLE.

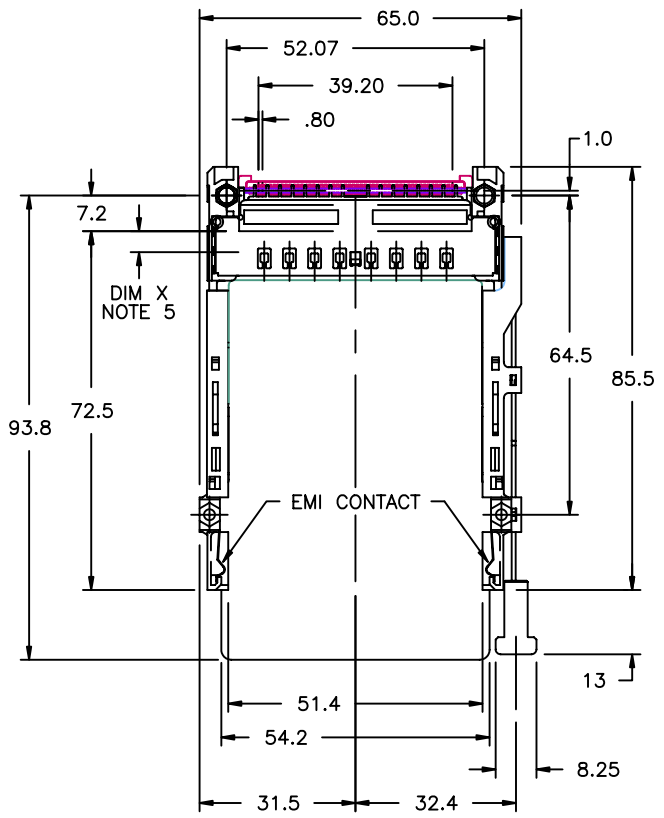
mat'l. code		surface ISO 1302	tolerance ISO 406 ISO 1101	projection 	product family
ltr	ecn no	dr	date	tolerances unless otherwise specified	title
R				angles linear .X±.3 .XX±.13 .XXX±.051	CARDBUS SINGLE DECK ASSY SMT TYPE 123
				±2'	MM ←
				dr R.GRAPE 7/3/96	dwg no 71299 sheet 3 of 11 size A4
				enr D.BRANN 7/3/96	type CUSTOMER Drawing
				chr D.BRANN 7/3/96	
				appd D.BRANN 7/3/96	
sheet index	revision sheet				

FCI CONFIDENTIAL

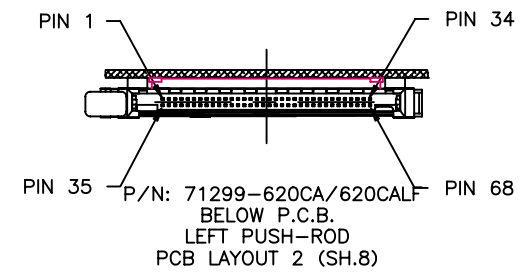
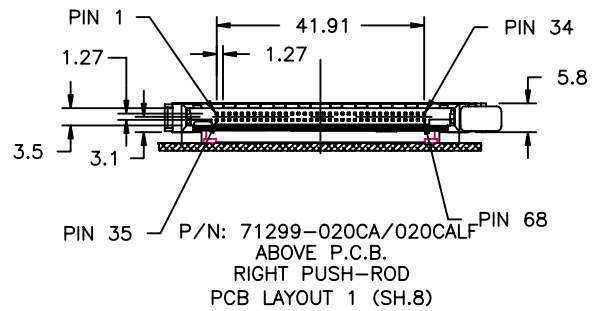
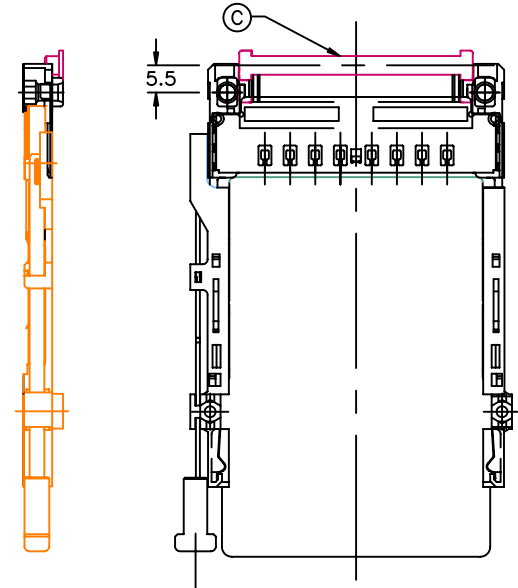
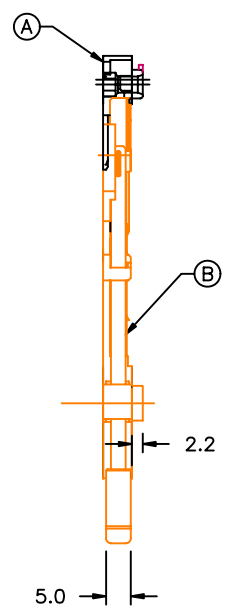
FCI  
FCIconnect.com

This document is the property of and embodies CONFIDENTIAL and PROPRIETARY information of FCI. No part of the information shown on this document may be used in any way or disclosed to others without the written consent of FCI.  
Copyright FCI

PRODUCT NUMBER  
71299-\*\*\*\*\*/\*\*\*\*LF



MATING RECEPTACLE  
SHOWN FOR APPLICATION  
CLARITY ONLY  
MUST BE PURCHASED  
SEPARATELY



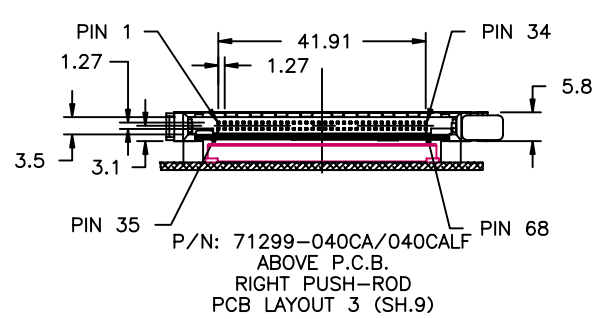
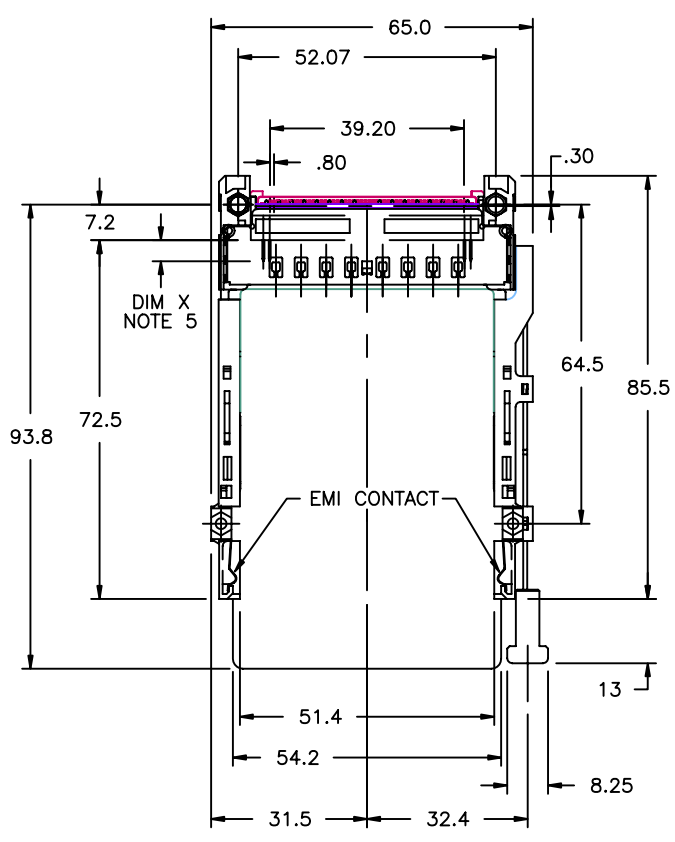
mat'l. code		surface	tolerance	projection	product family
ltr		ISO 1302	ISO 406 ISO 1101		title
ecn no	dr	tolerances unless otherwise specified		MM	CARDBUS SINGLE DECK ASSY SMT TYPE 123
dr		angles	.X±.3	scale:1:1	dwg no
enr		linear	.XX±.13		71299
chr		±2'	.XXX±.051		sheet 4of11 size
appd					A4
		dr	R.GRAPE	7/3/96	type
		enr	D.BRANN	7/3/96	CUSTOMER
		chr	D.BRANN	7/3/96	Drawing
		appd	D.BRANN	7/3/96	
sheet	revision				
index	sheet				

FCI CONFIDENTIAL

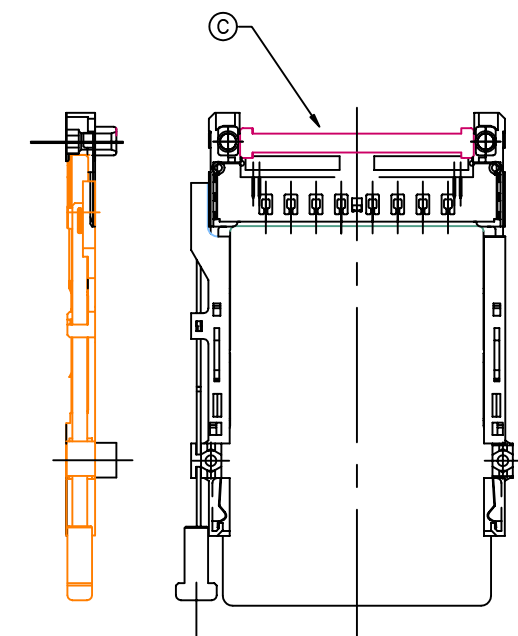
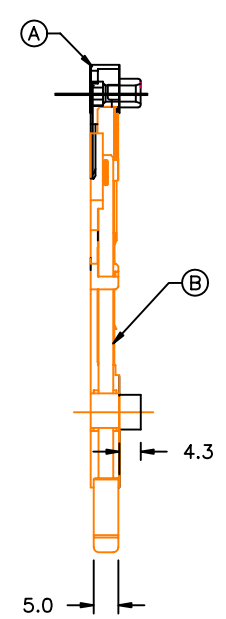
FCI  
fciconnect.com

This document is the property of and embodies CONFIDENTIAL and PROPRIETARY information of FCI. No part of the information shown on this document may be used in any way or disclosed to others without the written consent of FCI.  
Copyright FCI

PRODUCT NUMBER  
71299-\*\*\*\*\*/\*\*\*\*LF



MATING RECEPTACLE SHOWN FOR APPLICATION CLARITY ONLY MUST BE PURCHASED SEPARATELY



P/N: 71299-640CA/640CALF  
BELOW P.C.B.  
LEFT PUSH-ROD  
PCB LAYOUT 4 (SH.9)

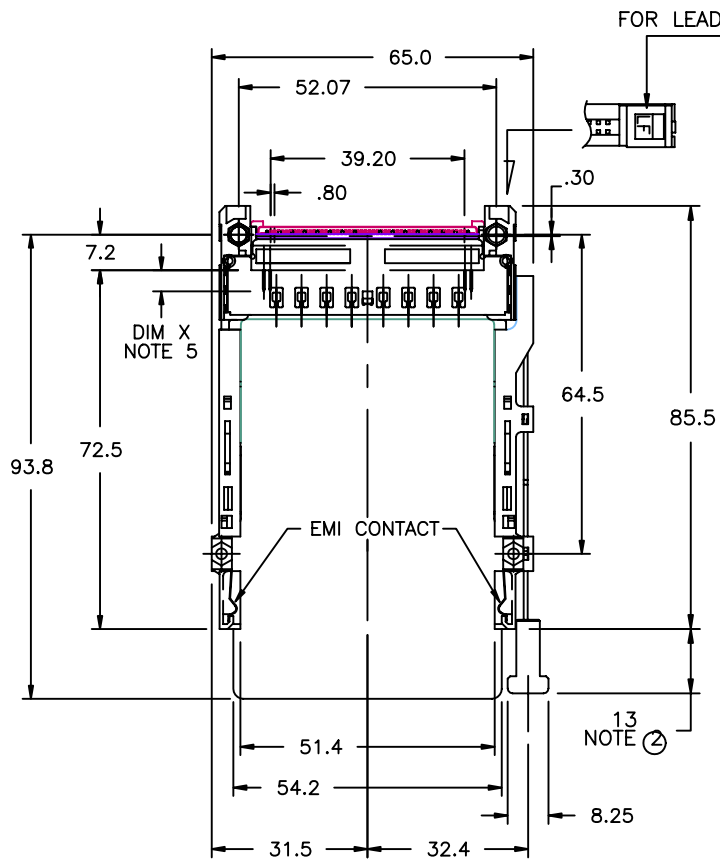
mat'l. code		surface ISO 1302		tolerance ISO 406 ISO 1101		projection MM		product family	
ltr		ecm no		dr		date		title	
R								CARDBUS SINGLE DECK ASSY SMT TYPE 123	
				angles		linear		scale:1:1	
				±2'		.X±.3 .XX±.13 .XXX±.051		dwg no 71299	
				dr		R.GRAPE 7/3/96		sheet 5 of 11 size A4	
				enr		D.BRANN 7/3/96		type CUSTOMER	
				chr		D.BRANN 7/3/96		Drawing	
				appd		D.BRANN 7/3/96			
sheet		revision							
index		sheet							

FCI CONFIDENTIAL

FCI  
FCIconnect.com

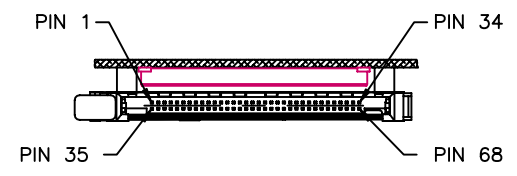
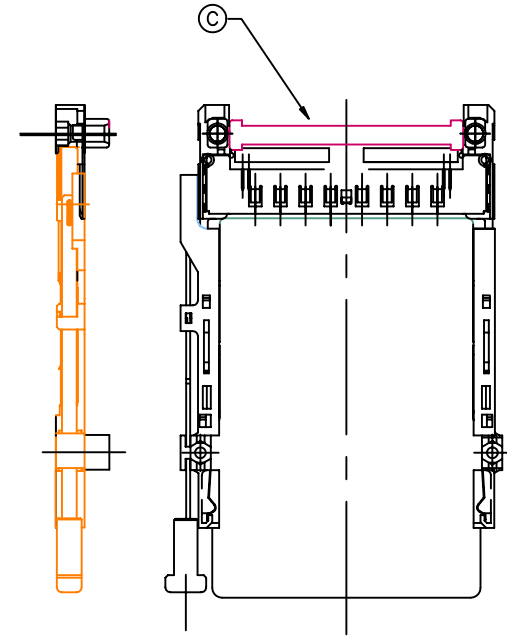
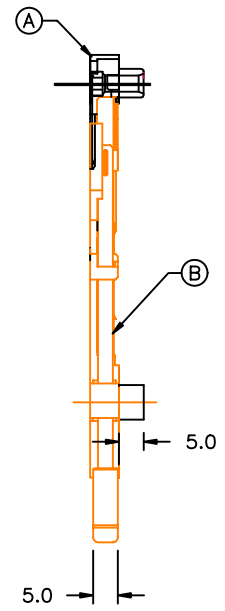
This document is the property of and embodies CONFIDENTIAL and PROPRIETARY information of FCI. No part of the information shown on this document may be used in any way or disclosed to others without the written consent of FCI.  
Copyright FCI

PRODUCT NUMBER  
71299-\*\*\*\*\*/\*\*\*\*LF

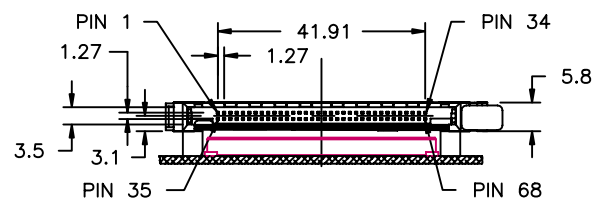


FOR LEAD-FREE TYPE ONLY(REF.)

MATING RECEPTACLE SHOWN FOR APPLICATION CLARITY ONLY MUST BE PURCHASED SEPARATELY



P/N: 71299-650CA  
BELOW P.C.B.  
LEFT PUSH-ROD  
PCB LAYOUT 4 (SH.9)



P/N: 71299-050FA/-050FALF  
(NOTE 2)  
P/N: 71299-050CA/-050CALF  
ABOVE P.C.B.  
RIGHT PUSH-ROD  
PCB LAYOUT 3 (SH.9)

mat'l. code		surface	tolerance	projection	product family
ISO 1302		ISO 406	ISO 1101		
ltr	ecn no	dr	date	tolerances unless otherwise specified	title
R				angles	CARDBUS SINGLE DECK ASSY SMT TYPE 123
				linear	
				±2'	
				.X±.3	MM
				.XX±.13	scale:1:1
				.XXX±.051	
dr	R.GRAPE	7/3/96			dwg no
enr	D.BRANN	7/3/96			71299
chr	D.BRANN	7/3/96			sheet 6 of 11 size
appd	D.BRANN	7/3/96			A4
sheet	revision				type
index	sheet				CUSTOMER
					Drawing

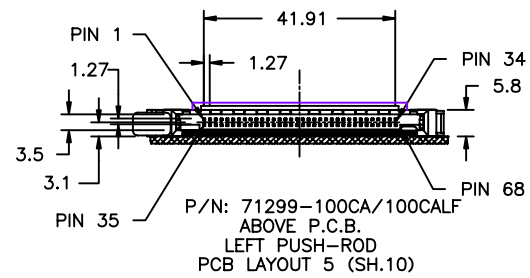
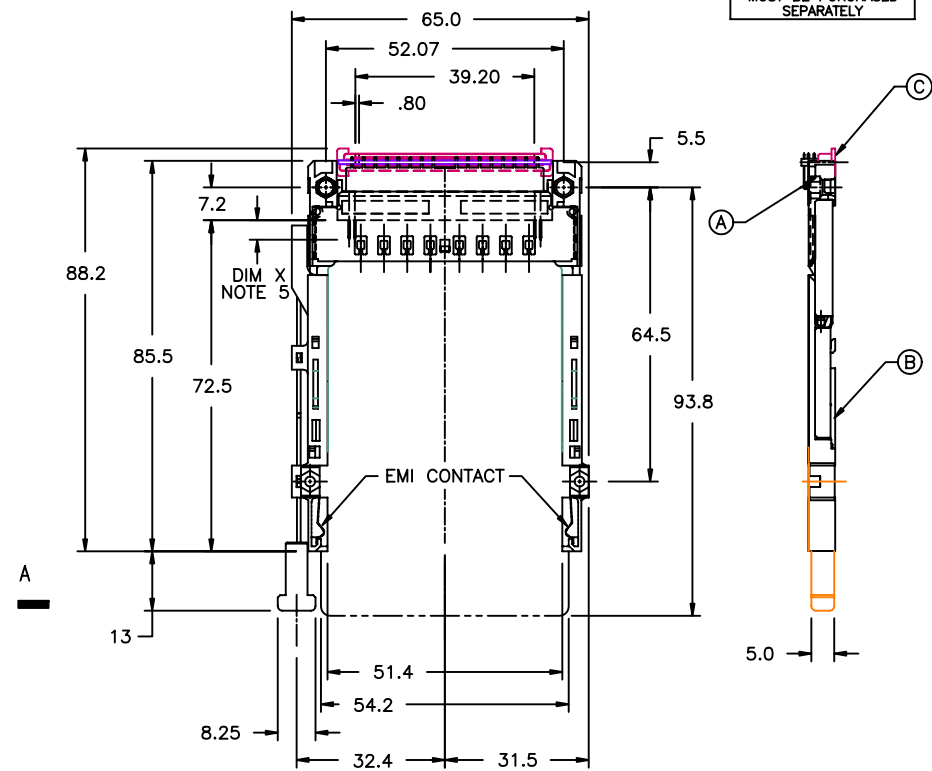
FCI CONFIDENTIAL



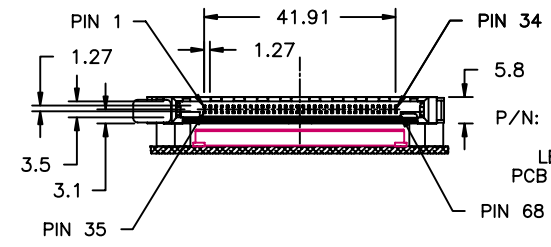
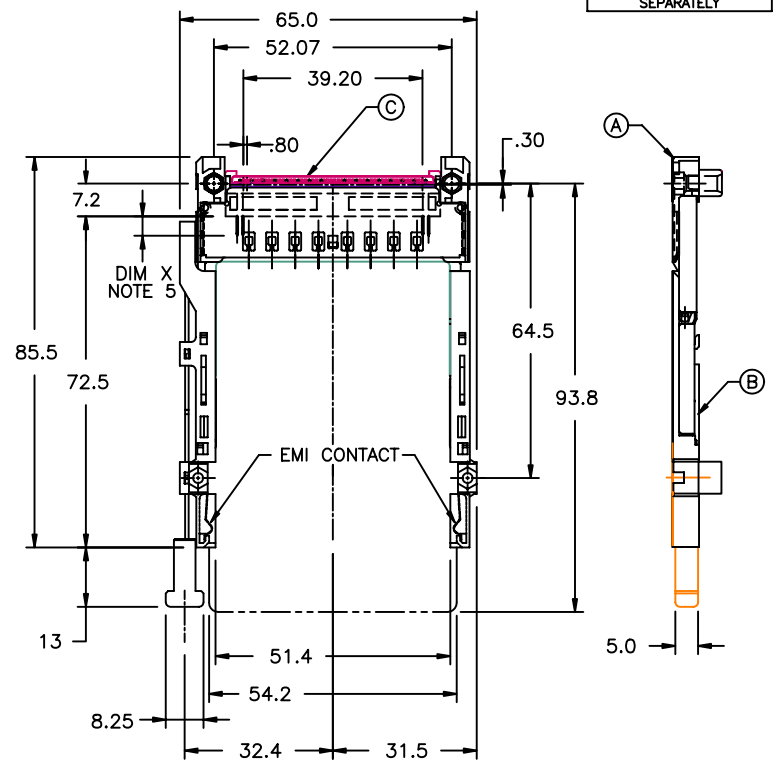
This document is the property of and embodies CONFIDENTIAL and PROPRIETARY information of FCI. No part of the information shown on this document may be used in any way or disclosed to others without the written consent of FCI. Copyright FCI.

PRODUCT NUMBER  
71299-\*\*\*\*\*/\*\*\*\*L F

MATING RECEPTACLE  
SHOWN FOR APPLICATION  
CLARITY ONLY  
MUST BE PURCHASED  
SEPARATELY

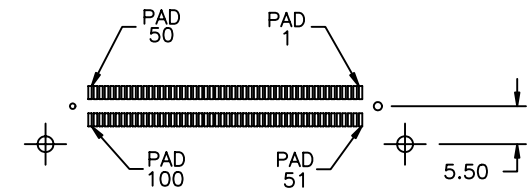
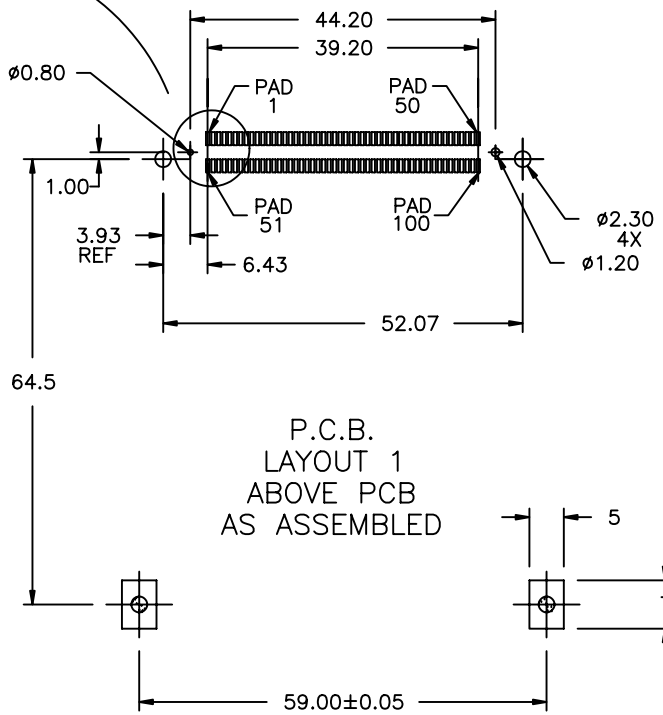
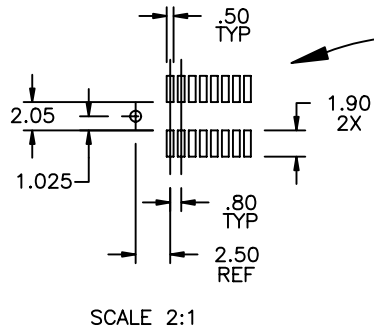


MATING RECEPTACLE  
SHOWN FOR APPLICATION  
CLARITY ONLY  
MUST BE PURCHASED  
SEPARATELY



mat'l. code		surface	tolerance	projection	product family
ltr		ISO 1302	ISO 406 ISO 101		title
ecn no	dr	tolerances unless otherwise specified		MM	
R		angles	.X±.3	scale:1:1	CARDBUS SINGLE DECK ASSY SMT TYPE 123
		linear	.XX±.13		
		±2'	.XXX±.051		dwg no
		dr	R.GRAPE 7/3/96		71299
		enr	D.BRANN 7/3/96		sheet 7 of 11
		chr	D.BRANN 7/3/96		A4
		appd	D.BRANN 7/3/96		size
sheet	revision				type
index	sheet				CUSTOMER
					Drawing

# P.C.B. LAYOUT FOR 2.2mm STANDOFF



P.C.B. LAYOUT 1  
ABOVE PCB  
AS ASSEMBLED

P.C.B. LAYOUT 2  
BELOW PCB  
AS ASSEMBLED

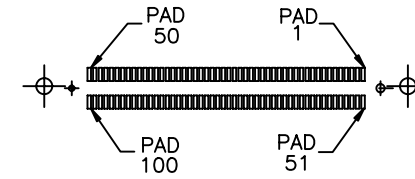
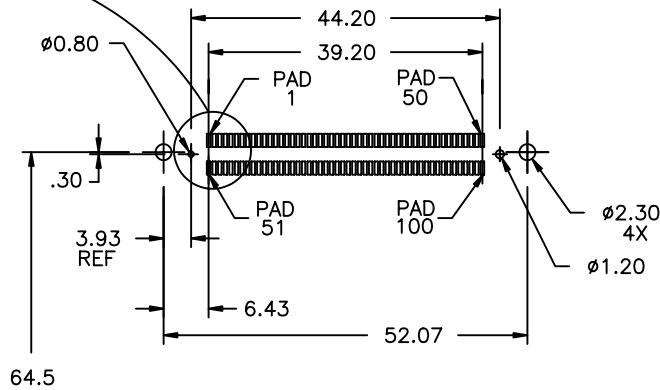
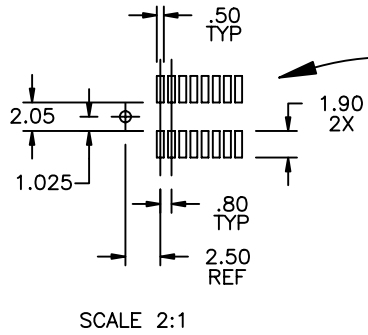
mat'l. code		surface ISO 1302		tolerance ISO 406 ISO 1101		projection 1:1		product family	
ltr	ecm no	dr	date	tolerances unless otherwise specified				title	
R				angles	linear	.X±.3	MM	CARDBUS SINGLE DECK ASSY SMT TYPE 123	
				±2'		.XX±.13	scale:1:1	dwg no 71299 sheet 8 of 11 size A4	
				dr	R.GRAPE	7/3/96	type CUSTOMER Drawing		
				enr	D.BRANN	7/3/96	FCI		
				chr	D.BRANN	7/3/96			
				appd	D.BRANN	7/3/96			
sheet index	revision sheet								

This document is the property of and embodies CONFIDENTIAL and PROPRIETARY information of FCI. No part of the information shown on this document may be used in any way or disclosed to others without the written consent of FCI. Copyright FCI.

FCI  
 FCIconnect.com



# P.C.B. LAYOUT FOR 4.3 AND 5.0mm STANDOFFS



P.C.B.  
LAYOUT 3  
ABOVE PCB  
AS ASSEMBLED

P.C.B.  
LAYOUT 4  
BELOW PCB  
AS ASSEMBLED

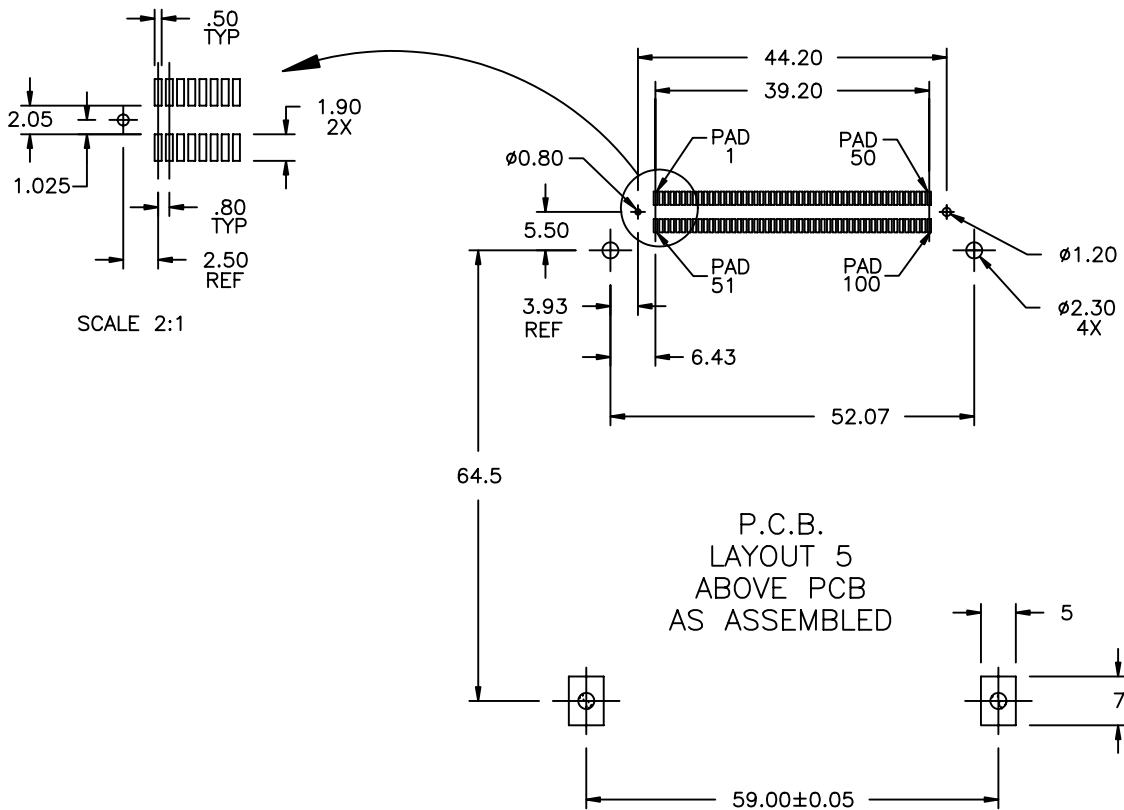
mat'l. code		surface	tolerance	projection	product family
R		ISO 1302	ISO 406 ISO 1101		
ltr		tolerances unless otherwise specified			title
ecn no		angles	.X±.3	MM	CARDBUS SINGLE DECK
dr		linear	.XX±.13	←	ASSY SMT TYPE 123
date		±2'	.XXX±.051	scale:1:1	
		dr	R.GRAPE	7/3/96	dwg no
		enr	D.BRANN	7/3/96	sheet 9 of 11
		chr	D.BRANN	7/3/96	size
		appd	D.BRANN	7/3/96	A4
					type
					CUSTOMER Drawing
sheet	revision				
index	sheet				

FCI CONFIDENTIAL

FCI  
FCIconnect.com

This document is the property of and embodies CONFIDENTIAL and PROPRIETARY information of FCI. No part of the information shown on this document may be used in any way or disclosed to others without the written consent of FCI. Copyright FCI.

# P.C.B. LAYOUT FOR 0mm STANDOFF



mat'l. code		surface	tolerance	projection	product family
R		ISO 1302	ISO 406 ISO 1101		title
		tolerances unless otherwise specified		MM	CARDBUS SINGLE DECK ASSY SMT TYPE 123
		angles	.X±.3	scale:1:1	dwg no
		linear	.XX±.13		71299
		±2'	.XXX±.051		sheet 10 of 11
		dr	R.GRAPE 7/3/96		size
		enr	D.BRANN 7/3/96		A4
		chr	D.BRANN 7/3/96		
		appd	D.BRANN 7/3/96		
sheet index	revision sheet				type CUSTOMER Drawing

HEADER PINOUT	TYPE	BTB 100 POS RECEPTACLE	HEADER PINOUT	TYPE	BTB 100 POS RECEPTACLE
1	GND	1	35	GND	51
2	SIG	2	36	DET	52
3	SIG	3	37	SIG	53
4	SIG	5	38	SIG	55
5	SIG	6	39	SIG	56
6	SIG	8	40	SIG	58
7	SIG	9	41	SIG	59
8	SIG	11	42	SIG	61
9	SIG	12	43	SIG	62
10	SIG	14	44	SIG	64
11	SIG	15	45	SIG	65
12	SIG	17	46	SIG	67
13	SIG	18	47	SIG	68
14	SIG	20	48	SIG	70
15	SIG	21	49	SIG	71
16	SIG	23	50	SIG	73
17	PWR	24	51	PWR	74
18	SIG	27	52	SIG	77
19	SIG	28	53	SIG	78
20	SIG	30	54	SIG	80
21	SIG	31	55	SIG	81
22	SIG	33	56	SIG	83
23	SIG	34	57	SIG	84
24	SIG	36	58	SIG	86
25	SIG	37	59	SIG	87
26	SIG	39	60	SIG	89
27	SIG	40	61	SIG	90
28	SIG	42	62	SIG	92
29	SIG	43	63	SIG	93
30	SIG	45	64	SIG	95
31	SIG	46	65	SIG	96
32	SIG	48	66	SIG	98
33	SIG	49	67	DET	99
34	GND	50	68	GND	100

SHIELD PINOUT	TYPE	BTB 100 POS RECEPTACLE
1	GND	4 & 54
2	GND	7 & 57
3	GND	10 & 60
4	GND	13 & 63
5	GND	16 & 66
6	GND	19 & 69
7	GND	22 & 72
8	GND	25 & 75
9	GND	26 & 76
10	GND	29 & 79
11	GND	32 & 82
12	GND	35 & 85
13	GND	38 & 88
14	GND	41 & 91
15	GND	44 & 94
16	GND	47 & 97

NOTES:

- 8mm MIN CARD EJECT.
- EJECT TRAVEL: 9.5mm
- MATERIAL:
  - 3.1 HEADER ASSY:  
PLASTIC HOUSING: LCP UL94V-0 BLACK - ABOVE PCB  
LCP UL94V-0 BLACK - BELOW PCB  
PIN: PHOSPHOR BRONZE  
PCB: FR4
  - 3.2 EJECT MECHANISM ASSY:  
PLASTIC GUIDE: POLYPHTHARAMID UL94V-0 BLACK  
PLASTIC PUSH-ROD BUTTON: POLYPHTHARAMID UL94V-0 BLACK  
COVER PLATE, LINK ARM,  
PUSH ROD: STAINLESS STEEL  
EMI CONTACT: PHOSPHOR BRONZE
  - 3.3 .8 BTB RECEPTACLE: 73277-101000  
PLASTIC: LCP 94V-0 BLACK  
CONTACT: BeCu
- FINISH (PIN)  
UNDER PLATING: 0.5um MIN Ni  
CONTACT AREA: 0.1um MIN GOLD OVER  
0.5um MIN Pd-Ni  
SOLDER TAIL(TIN LEAD OPTION): 2.5umMIN Sn-Pb  
SOLDER TAIL(LEAD FREE OPTION): 2.5umMIN PURE TIN
- DIM "X"
 

4.25±0.1	3.5±0.1	5.0±0.1
OTHERS	36,67	1,17,34,35,51,68
- RECOMMENDED SCREW TORQUE: 1.0 TO 1.5 MAX in-lbs. (1.2-1.7 cm-kgs).  
RECOMMENDED HOLD-DOWN 2mm SCREWS (95121)  
AND HEX NUTS (92869-001).
- GS-14-920 SPEC. SHOULD BE APPLIED LEAD FREE P/N.
- IF LEAD FREE P/N.THE HOUSING WILL WITHSTAND EXPOSURE TO 260°C PEAK TEMPERATURE FOR 10 SECONDS IN A WAVE SOLDER APPLICATION WITH A 1.00MM MINIMUM THICK CIRCUIT BOARD.
- IF LEAD FREE P/N.THE PRODUCT MEETS EUROPEAN UNION DIRECTIVES AND OTHER COUNTRY REGULATIONS AS DISCRIBLED IN GS-22-008

mat'l. code		surface	tolerance	projection	product family
		ISO 1302	ISO 406 ISO 1101		
ltr	ecn no	dr	date	tolerances unless otherwise specified	title
R				.X±.3 linear .XX±.13 ±2' .XXX±.051	CARDBUS SINGLE DECK ASSY SMT TYPE 123
				scale:1:1	dwg no
					71299
					sheet 11of11 size
					A4
					type CUSTOMER Drawing
sheet	revision				
index	sheet				

## X-ON Electronics

Largest Supplier of Electrical and Electronic Components

*Click to view similar products for [Memory Cards](#) category:*

*Click to view products by [FCT Electronics](#) manufacturer:*

Other Similar products are found below :

[SQF-ISDS1-8G-21C](#) [SQF-S10M2-256G-S9E](#) [SQF-P10M1-4G-P9C](#) [CAE1B256GTFDWB00EAA0](#) [1061701](#) [CAE1B064GTFDWB00EAA0](#)  
[CAE1B128GTFDWB00EAA0](#) [LMEX1L128GG2](#) [LMEX1L256GG2](#) [LNEX1L016GG4](#) [LNEX1L032GG4](#) [LNEX1L064GG4](#)  
[LMEX1L016GG2](#) [LMEX1L032GG2](#) [LMEX1L064GG2](#) [SDUU1-008PDG](#) [SDUU1-0163CG](#) [SDUU1-0643SG](#) [SDUU1-1283SG](#)  
[SDC2GCPGRB](#) [SDC2GGSGRB](#) [SDSDUN4-032G-GN6IN](#) [SDSDUN4-064G-GN6IN](#) [SDSDUN4-128G-GN6IN](#) [SDSDUN4-256G-GN6IN](#)  
[SDSQUA4-032G-GN6IA](#) [SDSQUA4-032G-GN6MA](#) [SDSQUA4-064G-GN6IA](#) [SDSQUA4-064G-GN6MA](#) [SDSQUA4-128G-GN6IA](#)  
[SDSQUA4-128G-GN6MA](#) [SDSQUA4-256G-GN6MA](#) [SDSQUA4-400G-GN6MA](#) [SDSQUNR-032G-GN3MN](#) [SDSQUNR-064G-GN3MN](#)  
[SDSQXAO-256G-GNCZN](#) [SDU4GCMGRB](#) [SDUC6-002PCG](#) [SDSDAF4-256G-I](#) [SDSDAF4-512G-I](#) [SDSDQAF4-032G-I](#) [AP-](#)  
[CF016GKBNS-ETNRG](#) [AP-CF002GKBNS-ETNRG](#) [SDSDAF4-064G-I](#) [MMM-3029-KNS](#) [HMC-EF283](#) [SDCFHS-016G-G46](#) [SDCFXPS-](#)  
[032G-X46](#) [SDSDB-016G-B35](#) [SDSDQAF3-032G-I](#)