

DC 6010



SIZE :

60x60x10mm (2.36"x2.36"x0.39")

CONSTRUCTION :

Glass fiber reinforced plastic:
Impeller and housing PBT are UL 94V-0 rating

OPERATING TEMPERATURE :

Ball bearing -30°C to +75°C
Sleeve bearing -10°C to +70°C

INSULATION RESISTANCE :

10meg Ohm min. at 500 VDC
(between frame and terminal)

DIELECTRIC STRENGTH :

5mA max. at 500 VAC 60Hz one minute
(between frame and terminal)

FUNCTION :

frequency generator signal option

WEIGHT :

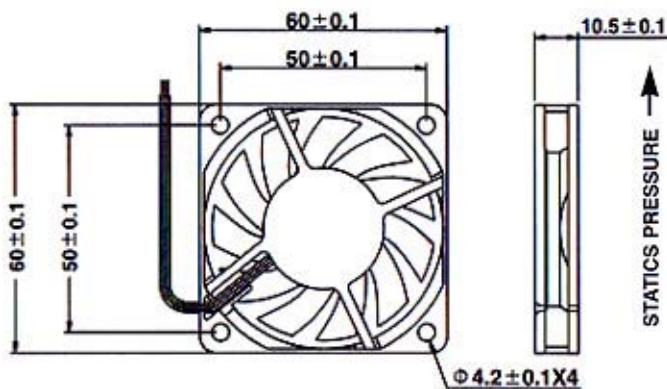
30 grams

Specifications

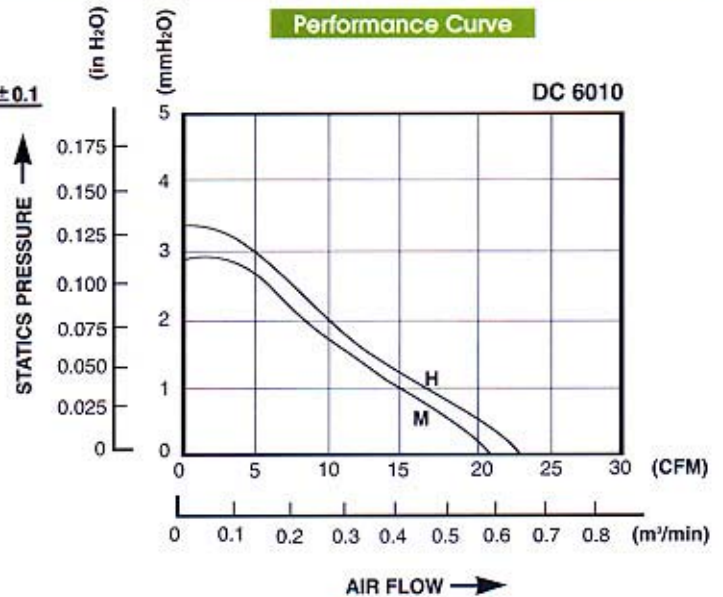
Specifications are subject to change without notice

MODEL NO.	BEARING	RATED	OPERATING	RATED	RATED	SPEED	MAX. AIR		MAX. AIR		NOISE
		VOLTAGE	VOLTAGE	CURRENT	INPUT		FLOW	PRESSURE	IN H ₂ O	dB-A	
		VDC	RANGE	A	POWER	R.P.M.	m ³ /min	CFM	mmH ₂ O	IN H ₂ O	
BP601012M	Ball										
SP601012M	Sleeve	12	10.2-13.8	0.16	1.92	4200	0.59	20.70	2.84	0.112	35
BS601012M	Ball & Sleeve										
BP601012H	Ball										
SP601012H	Sleeve	12	10.2-13.8	0.21	2.52	4700	0.66	23.30	3.30	0.130	36.8
BS601012H	Ball & Sleeve										

Dimensions (mm)



Performance Curve



X-ON Electronics

Largest Supplier of Electrical and Electronic Components

Click to view similar products for [bi-sonic manufacturer](#):

Other Similar products are found below :

[9P-230LS-T](#) [SP802524L-03](#) [BP602512HH-03-W](#) [8P-230LS-T](#) [4C-230HB-T](#) [BP1202524M-W](#) [BP501012M-W](#) [8P-230HB-T](#) [BP1203824H-03-W](#) [8P-230HS-W](#) [BP601012M-W](#) [BP1202524H-W](#) [BP802512H-03-W](#) [4E-230S-17-T](#) [4C-230HB-W](#) [BP1202512H-W](#) [12P-230HB-T](#) [BP922524H-W](#) [SP802512H-03-W](#) [BP402012H-W](#) [SP402012M-W](#) [BP401005H-W](#) [BP401012M-W](#) [BP402024H-W](#) [BP802524HL-03](#) [BP402024M-W](#) [BP922524M-W](#) [5E-230B-W](#) [SP802524H-03-W](#) [5E-DVB-1-W](#) [BP602524H-03-W](#)