

The rack is populated with fifteen clip-in hooks, which can be moved along to any position to suit 1/4" jacks, bantam jacks, XLR patch leads, or anything that needs hanging up in a tidy fashion.
 The rack is an extrusion, grey finish, and the hooks grey

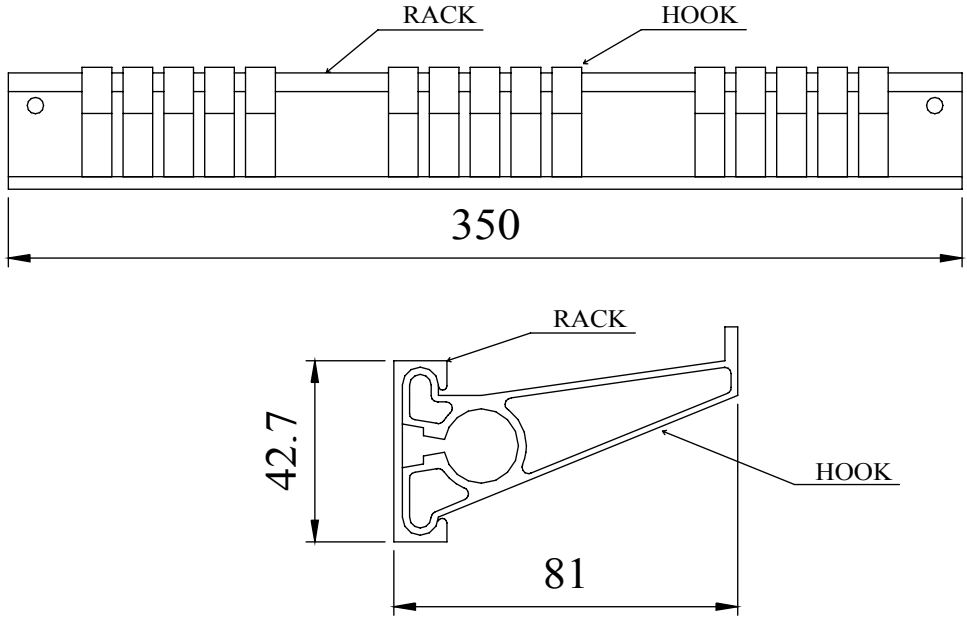
MATERIALS

RACK : Aluminium Alloy extrusion
GREY

HOOKS : GREY

SCREWS : No.8 x1 A2 stainless steel pozi
 C'sunk AB self tapper

Dimensions



Tel No. +44(0)1724 273200 Website www.dem-uk.com

Alpha3 manufacturing

ROXBURGH EMC

DELTRON Components

DELTRON Enclosures

DEM

PROPRIETARY AND CONFIDENTIAL
 THE INFORMATION CONTAINED IN THIS DRAWING IS THE SOLE PROPERTY OF
 ALPHA 3 MANUFACTURING.
 ANY REPRODUCTION IN PART OR AS A WHOLE WITHOUT THE WRITTEN PERMISSION OF
 ALPHA 3 MANUFACTURING IS PROHIBITED.

DEM Manufacturing, Deltron Emcon House
 Hargreaves Way, Sawcliffe Ind. Park,
 Scunthorpe, North Lincolnshire, DN15 8RF, UK

UNLESS OTHERWISE SPECIFIED:
 DIMENSIONS ARE IN MILLIMETRES
 LINEAR TOLERANCE:
NO DECIMAL PLACES ±0.5mm
1 DECIMAL PLACE ±0.25mm
2 DECIMAL PLACES ±0.125mm
 ANGULAR TOLERANCE: ±1°

FINISH LEAD OR TOOL HOLDER
 DEBURR AND BREAK SHARP EDGES
 IF IN DOUBT ASK
 DO NOT SCALE DRAWING
 MATERIAL SEE NOTE

DRAWN BY SPB
 APPROVED BY WC
 THIRD ANGLE PROJECTION

SHEET 1 OF 1
 SCALE 1:1
 A4

TITLE GENERAL SPECIFICATION
 290-0001
 TOOL HOLDER
 DRAWING NO. 290-0001
 ISSUE **02**
 Release

X-ON Electronics

Largest Supplier of Electrical and Electronic Components

Click to view similar products for [deltron](#) manufacturer:

Other Similar products are found below :

[610-0700](#) [651-0800](#) [342-0000](#) [W127G](#) [066541F](#) [066542D](#) [W205C](#) [W106C](#) [611-0700](#) [717-0400](#) [456-0020](#) [460-0070](#) [479-0020-5](#) [486-121209-66](#) [480-C010](#) [490-170805E-68](#) [459-0080](#) [459-0140](#) [590-0700](#) [MDU14S](#) [4MP2616](#) [461-0050](#) [487-221208E-68](#) [571-0400-01](#) [480-C040](#) [462-0020E](#) [4DR3522](#) [487-261612E-66](#) [486-261609-68](#) [466-0050](#) [356-0200](#) [702-0500](#) [711-0500](#) [552-0600](#) [WHT](#) [800-0400](#) [487-261609E-66](#) [487-221209E-68](#) [462-0040A](#) [456-0030](#) [461-0070E](#) [490-040503A-68](#) [486-S68-2616](#) [4ELM6](#) [483-0100](#) [483-0030](#) [480-0010](#) [466-0150](#) [455-0020](#) [461-0030](#) [461-0090](#)