



**Features:**

- Lower density
- High breakdown voltage
- Good heat spreader
- High volume resistivity
- Good EMC
- Ideal for direct metalisation
- Good thermal cycling stability

**Applications:**

- Metal heat sink replacement, LED, Chipset cooling, power modules, IC cooling

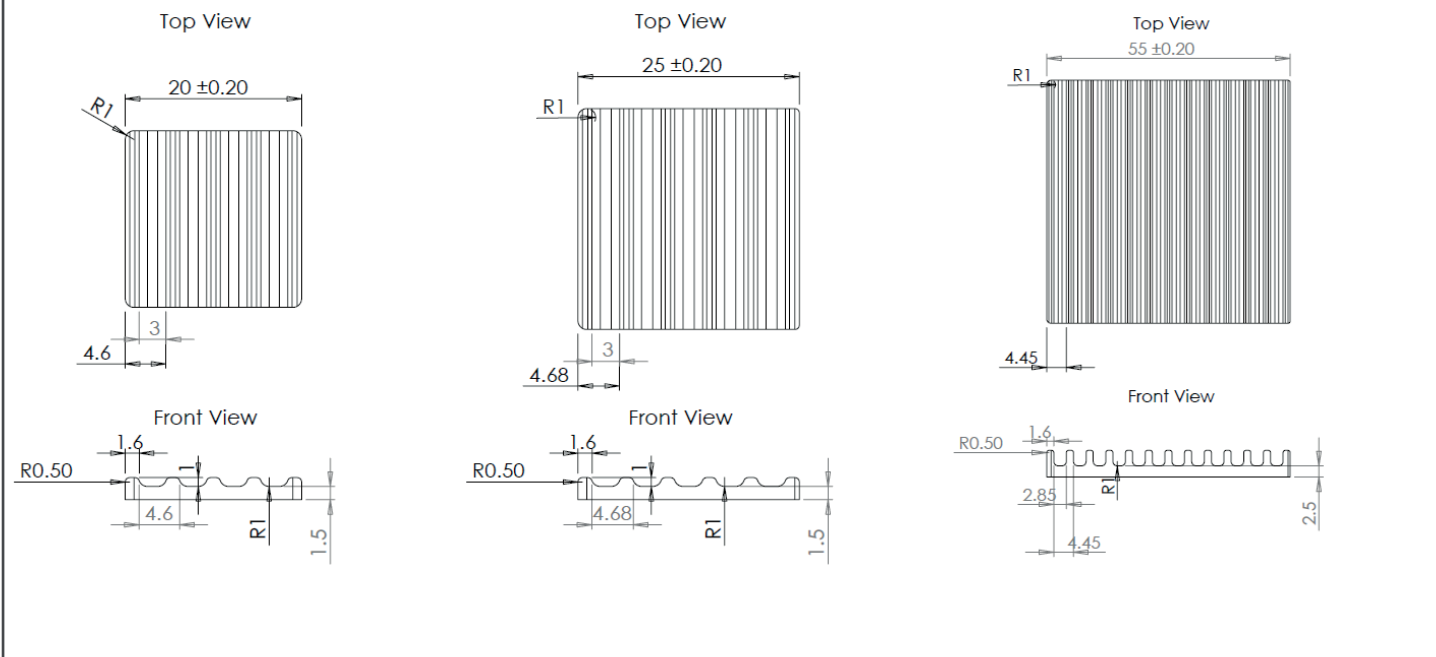
Property		Units	Value	Part Number	Description Size	R <sub>th</sub> (°C/W) at 100 lfm	R <sub>th</sub> (°C/W) at 400 lfm	Dwg
Physical	Material	N/A	Al <sub>2</sub> O <sub>3</sub>	SF-CHS-202003F #2522608	20x20x2.5mm finned spreader	58.2	43.0	A
	Density	g/cm <sup>3</sup>	3.66					
	Water absorption	%	0.002	SF-CHS-252503F #2522609	25x25x2.5mm finned spreader	45.4	31.5	B
	Acid resistance	mg/cm <sup>3</sup>	≤ 0.2					
	Alkali resistance	mg/cm <sup>3</sup>	≤ 0.2					
Mechanical	Mohs hardness	HV	9	SF-CHS-555506F #2522610	55x55x6mm finned spreader	10.4	6.2	C
	Bend Strength	MPa	≥610	SF-CHS-707012F #2522611	70x70x12mm finned spreader	4.3	2.4	D
	Compression Intensity	MPa	≥620	SF-CHS-757506F #2522612	75x75x6mm finned spreader	7.2	4.0	E
Thermal	Max. working temperature	°C	1400	SF-CHS-858506F #2522613	85x85x6mm finned spreader	5.8	3.1	F
	CTE, thermal expansion coefficient	(1x10 <sup>-6</sup> ) mm/ °C	7.8 - 8.3					
	Thermal Conductivity	W/m K	25					

Drawing layouts:

Drawing A: 20x20x2.5mm

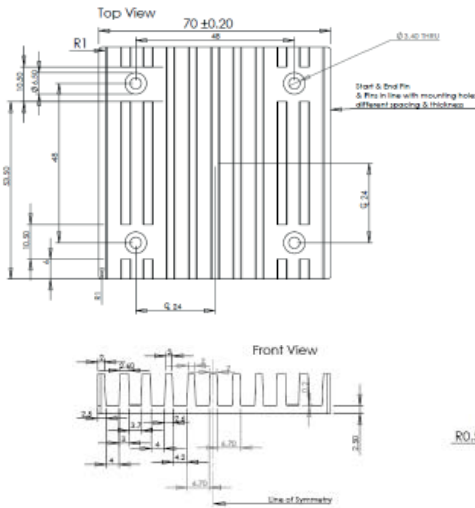
Drawing B: 25x25x2.5mm

Drawing C: 55x55x6mm

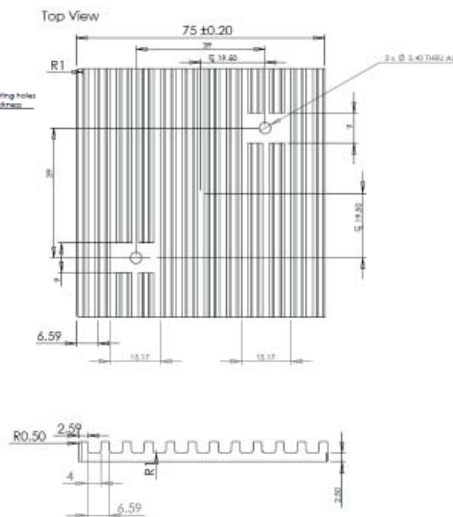


Drawing layouts:

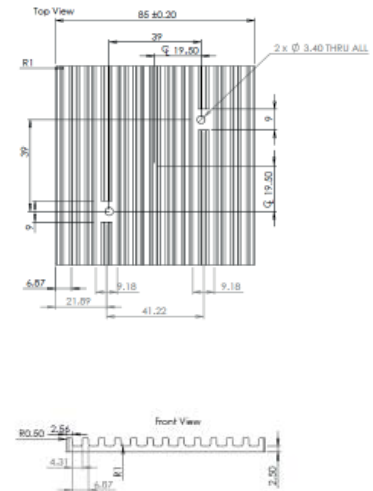
Drawing D: 70x70x12mm



Drawing E: 75x75x6mm



Drawing F: 85x85x6mm



## **X-ON Electronics**

Largest Supplier of Electrical and Electronic Components

*Click to view similar products for [Spreadfast](#) manufacturer:*

Other Similar products are found below :

[SF-CHS-303006P](#) [SF-CHS-171706-PC](#) [SF-CHS-555506F](#) [SF-CHS-212110-PC](#) [SF-CHS-121210P](#) [SF-CHS-272710-PC](#) [SF-CHS-131306-PC](#)

[SF-CHS-232310-PC](#) [SF-CHS-252503F](#) [SF-CHS-151506-PC](#) [SF-CHS-434306P](#) [SF-CHS-191906-PC](#)