

DC Fan Motors

# Long Life Fan □ 120mm

## SAN ACE 120L



**General specifications**

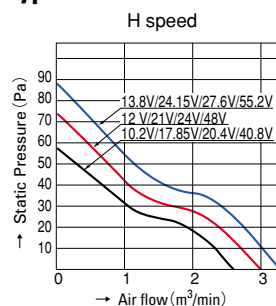
- Life expectancy .....200,000 hours, indoor environment(survival rate: 90% at 60°C, rated voltage, and continuously run in a free air state)
- Motor protection system ···Current cut system (with reverse-connection protection)
- Dielectric strength .....50/60 Hz, 500 VAC, 1 minute  
(between lead conductor and frame)
- Operating thermally range -10°C to +60°C (non-condensing)
- Fan power lead .....H speed, ⊕ red, ⊖ black  
M speed, ⊕ red, ⊖ blue

### 38mm thick

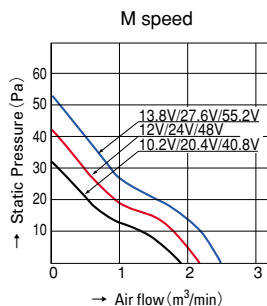
**Specifications**

Model No	Rated voltage (V)	Operating voltage range (V)	Rated current (A)	Rated input (W)	Rated rotating speed (min <sup>-1</sup> )	Air flow (m <sup>3</sup> /min)	Air flow (CFM)	Static pressure (Pa)	Noise (dB[A])	Mass (g)
<b>109L1212H102</b>	12	10.2~13.8	0.4	4.8	2,850	3.0	106.0	70.5	41	370
<b>109L1212M102</b>			0.22	2.64	2,150	2.25	79.4	41.1	34	
<b>109L1221H102</b>	21	17.8~24.2	0.24	5.04	2,850	3.0	106.0	70.5	41	
<b>109L1224H102</b>			0.21	5.04	2,850	3.0	106.0	70.5	41	
<b>109L1224M102</b>	24	20.4~27.6	0.1	2.4	2,150	2.25	79.4	41.1	34	
<b>109L1248H102</b>			0.12	5.76	2,850	3.0	106.0	70.5	41	
<b>109L1248M102</b>	48	40.8~55.2	0.06	2.88	2,150	2.25	79.4	41.1	34	

**Typical air flow and static pressure characteristics**



**109L1212H102**  
**109L1221H102**  
**109L1224H102**  
**109L1248H102**



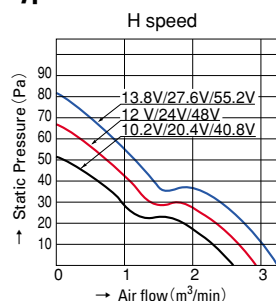
**109L1212M102**  
**109L1224M102**  
**109L1248M102**

### 38mm thick Low noise type

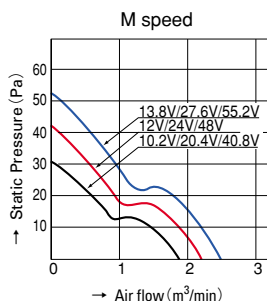
**Specifications**

Model No	Rated voltage (V)	Operating voltage range (V)	Rated current (A)	Rated input (W)	Rated rotating speed (min <sup>-1</sup> )	Air flow (m <sup>3</sup> /min)	Air flow (CFM)	Static pressure (Pa)	Noise (dB[A])	Mass (g)
<b>9LB1212H102</b>	12	10.2~13.8	0.39	4.68	2,600	2.9	102.4	67.62	39	370
<b>9LB1212M102</b>			0.22	2.64	2,000	2.2	77.7	42.14	32	
<b>9LB1224H102</b>	24	20.4~27.6	0.19	4.56	2,600	2.9	102.4	67.62	39	
<b>9LB1224M102</b>			0.11	2.64	2,000	2.2	77.7	42.14	32	
<b>9LB1248H102</b>	48	40.8~55.2	0.11	5.28	2,600	2.9	102.4	67.62	39	
<b>9LB1248M102</b>			0.06	2.88	2,000	2.2	77.7	42.14	32	

**Typical air flow and static pressure characteristics**

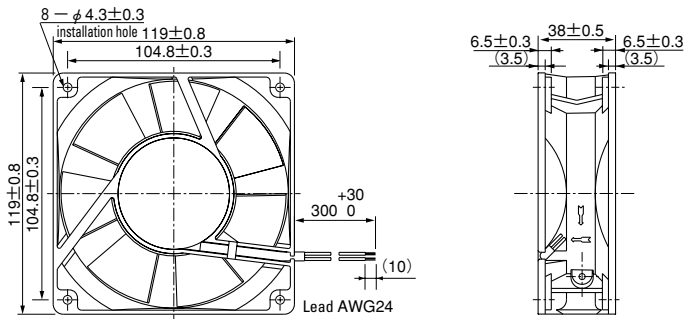


**9LB1212H102**  
**9LB1224H102**  
**9LB1248H102**

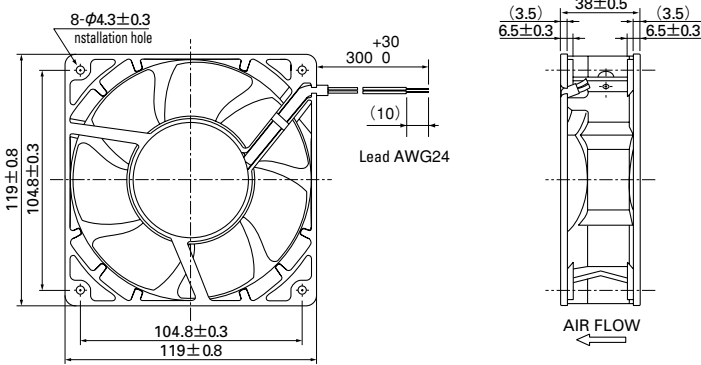


**9LB1212M102**  
**9LB1224M102**  
**9LB1248M102**

**Dimensions (unit : mm)**



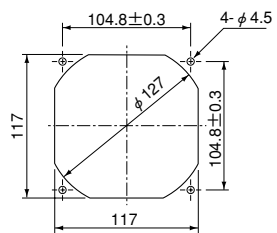
Standard type



Low noise type

**Reference dimensional diagram for installation holes (unit : mm)**

Discharge sides • Suction sides



120mm

**SANYO DENKI**

1-15-1, Kita-otsuka, Toshima-ku, Tokyo 170-8451, Japan. PHONE : +81 3 3917 5151  
Home Page: <http://www.sanyodenki.co.jp>

## X-ON Electronics

Largest Supplier of Electrical and Electronic Components

*Click to view similar products for [AC Fans](#) category:*

*Click to view products by [Sanyo Denki](#) manufacturer:*

Other Similar products are found below :

[M2E068-DF13-79](#) [F1238H24B-FHR](#) [8850A](#) [G9225S05B2-FSR](#) [A2D200-AA04-41](#) [A2E165-AA17-01](#) [R2D140-AB02-14](#) [R4D310-AS18-01](#)  
[R4D400-AD22-06](#) [R4E180-AS11-09](#) [AD0912HB-A7BGL](#) [1500-FAN-01](#) [25.001.1856.0](#) [25.320.1153.1](#) [25.320.1353.1](#) [25.320.4753.1](#)  
[25.320.5453.1](#) [25.330.1353.1](#) [25.330.4853.1](#) [25.330.5153.1](#) [25.330.5353.1](#) [25.340.1053.1](#) [25.350.5253.0](#) [25.600.4053.0](#) [272DL-2LP11-000](#)  
[S2E250-AL06-70](#) [A2D210-AB10-05](#) [A2D240-AA02-02](#) [A2D250-AE22-06](#) [A2E170-AF23-01](#) [F1238S24BT-FSR](#) [25.000.1856.0](#)  
[25.000.2056.0](#) [25.010.1856.0](#) [25.220.3953.1](#) [25.332.2453.1](#) [25.340.0453.1](#) [25.345.5353.0](#) [25.352.1853.0](#) [281DS-2LP11-000B](#) [281DY-](#)  
[1LP14-000B](#) [298DM-2LP11-000](#) [298DS-2LP11-000A](#) [R2S150-AD08-09](#) [344DY-1LP11-000](#) [39.703.0253.0](#) [USTF1203224VHW](#)  
[3915100996-SA3](#) [3G2C7MC224](#) [W2D200-HH04-07](#)