

Type

1420

1425

Nominal Size

50mm

PART NUMBERS

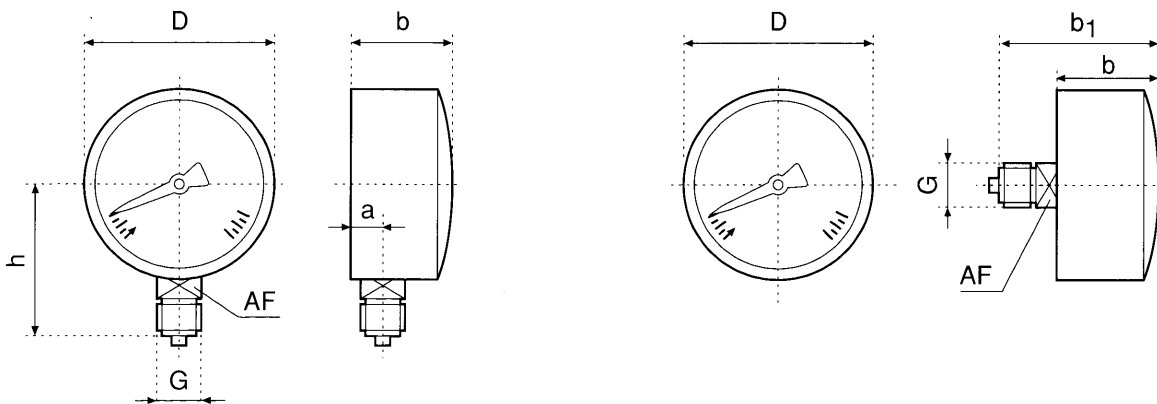
Range (Bar)	1420	1425
-1 to 0	016001	016001
-1 to 0.6	042901	042901
-1 to 1.5	043001	043001
-1 to 3	044001	044001
-1 to 5	045001	045001
-1 to 9	046901	046901
-1 to 15	049901	049901
0 to 0.6	067001	067001
0 to 1	069001	069001
0 to 1.6	070001	070001
0 to 2.5	072001	072001
0 to 4	073001	073001
0 to 6	074001	074001
0 to 10	075001	075001
0 to 16	076001	076001
0 to 25	078001	078001
0 to 40	079001	079001
0 to 60	080001	080001
0 to 100	081001	081001
0 to 160	082001	082001
0 to 250	084001	084001
0 to 315	085001	085001
0 to 400	086001	086001

Please note that items in bold are available from stock

TECHNICAL DATA

Type	1420	1425
Symbol		
Nominal size (mm)	50	
Accuracy class	2.5 to Din 16005	
Case	Plastic, black (ABS)	
Window	Plexiglass, convex, clipped on	
Dial	Plastic, white with stop pin, scale black to Din 16109	
Pointer	Plastic, black	
Movement	Cu Zn alloy (Brass)	
Wetted parts		
Measuring element	Cu alloy	
Pressure connection	Cu Zn alloy	
Connection thread	G $\frac{1}{4}$ A (1/4" BSP)	
Temperature ranges		
- media	T max +60°C	
- ambient	T min: -40°C to T max +60°C	
Weight approx (Kg)	0.1	0.071

DIMENSIONS



Type 1420

All dimensions in mm

Type 1425

NG	a ± 0.5	b ± 0.5	D ± 0.5	G	h ± 1	AF
50	10	27	51	G $\frac{1}{4}$ A (1/4" BSP)	45	14

NG	b ± 0.5	b1 ± 0.5	D ± 0.5	G	AF
50	26.5	47.5	49	G $\frac{1}{4}$ A (1/4" BSP)	14

Other options are available such as dual scal (Bar/psi), various bezel types and different connection threads.

X-ON Electronics

Largest Supplier of Electrical and Electronic Components

Click to view similar products for [tecsis](#) manufacturer:

Other Similar products are found below :

[Tecsis](#)