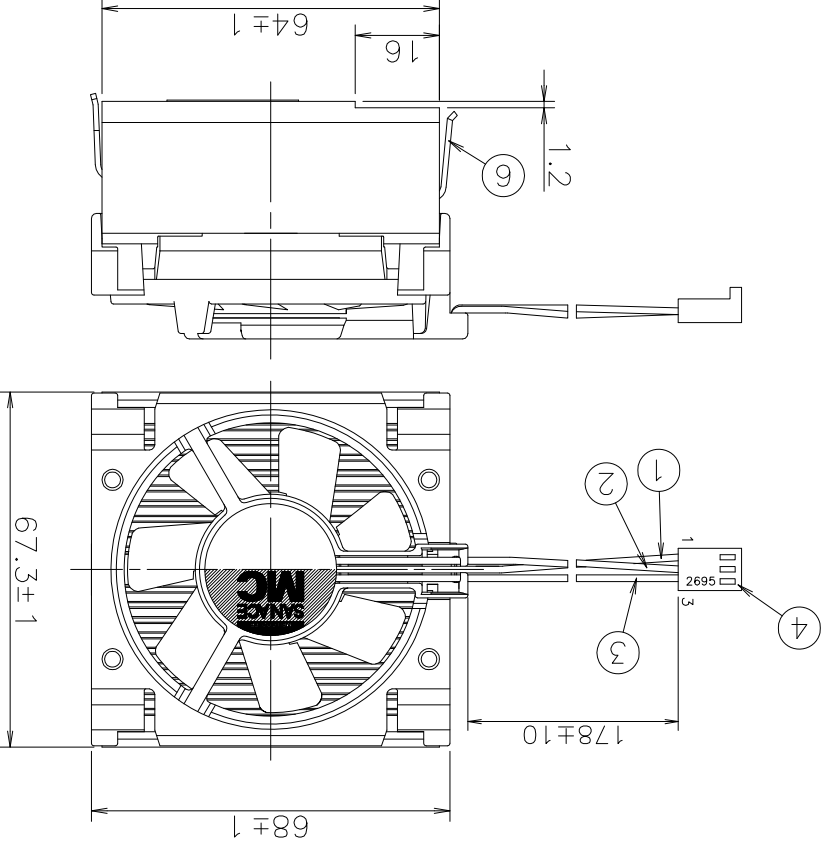


No.	PARTS	NOTE
1	LEAD WIRE	UL1430 AWG26 BLACK Pin No.1 ⊖
2	LEAD WIRE	UL1430 AWG26 YELLOW Pin No.2 ⊕
3	LEAD WIRE	UL1430 AWG26 GREEN Pin No.3 (SENSOR)
4	HOUSING	MOLEX 22-01-3037:P/N 2695-03RP or equivalent
	TERMINAL	MOLEX P/N 5159PT or 2759T
5	THERMAL PAD	Honeywell PCM45F
6	Clip	1mm Thickness with dimple.

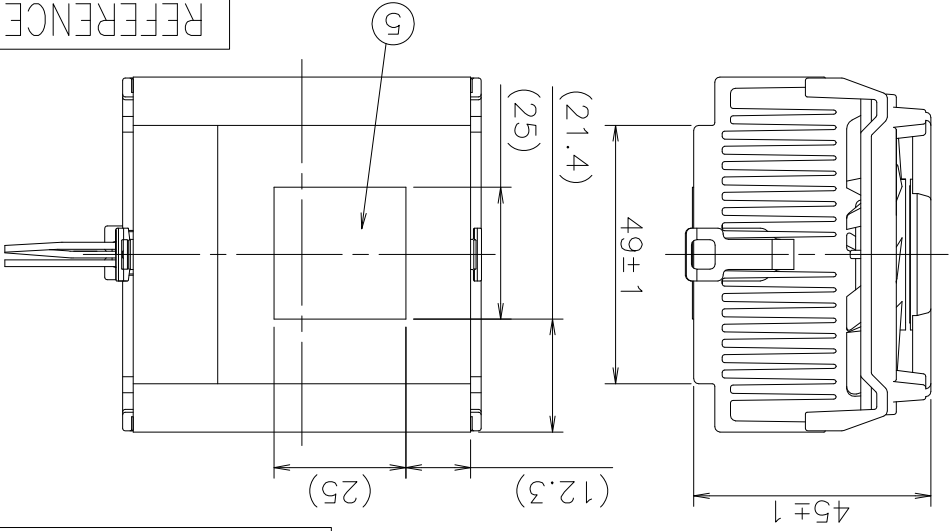
Note.1 The sound pressure level which is measured at the place of 100 cm distance from motor surface.

Note.2 The Value which is measured between the terminals and the frame.

Note.3 Sensor specification is regard to 9D0001H002.



Rated Voltage	12 V.DC	
Operating Voltage	7~13.8 V.DC	
Current	0.1 A Max. at 12 V.DC, 25 °C	
Speed	3900 min ⁻¹ at 12 V.DC, 25 °C (Nominal)	
Dielectric Strength	One minute at 500 V AC50/60 Hz Note.2	
Operating Temp. Range	0 °C ~ +70 °C	
Thermal Resistance θ _{ja}	0.89 K/W at 3900 min ⁻¹	
Sound Pressure Level	31 dB[A] (Nominal) at 3900 min ⁻¹ Note.1	
Mass.	Approx. 180 g	
Protection	Locked rotor protection	
	Polarity protection	
Material	Frame, Impeller	Plastics, Black
	Heat Sink	Aluminum, Non-Anodized



REFERENCE ONLY

REFERENCE ONLY

MFC COOLER
SANACE MC

3511

109X7612H1126

X-ON Electronics

Largest Supplier of Electrical and Electronic Components

Click to view similar products for CPU & Chip Coolers category:

Click to view products by Sanyo Denki manufacturer:

Other Similar products are found below :

[109X9112PT0H016](#) [FR2UFAN60HSW](#) [LGA1156 2U Cooler](#) [1960058073N001](#) [19FFD124010HB2A7-000001-RS](#) [109X6512A2016](#)
[CEBF0127271803-00](#) [FHS-A9025S20](#) [109X9212PT0H016](#) [1960048820N001](#) [BXSTS200PNRW 915971](#) [AP0512MX-J90-4P-TA-LF](#) [CF-](#)
[1150SE-R11](#) [1750000282](#) [AmITX-BT TM-FAN-ETT](#) [1960049408N001](#) [CF-775A-RS](#) [1960055362N011](#) [1960053065N001](#)
[1960047831N001](#) [1960047670N001](#) [1960047669N001](#) [1750001660](#) [conga-IA5/CSP](#) [conga-B7XD/CSA-HP-T](#) [UPS-APL01-COOLER-A01](#)
[EP-FNUPACTCLRDC](#) [CF1-0816-0400-0816A](#) [5078C111200E](#) [664-P4505MX-G90-LF](#) [890SP-01000-A-100](#) [890SP-02000-A-100](#) [890SP-](#)
[03000-A-100](#) [890SP-01500-A-100](#) [890SP-02500-A-100](#) [109X7612H1126](#) [AP0412MX-J70-LF](#) [AP0505HX-J90-4P-TA-LF](#) [AP4512HX-J90-](#)
[4P-TA-LF](#) [CC001](#) [CF2-0816-0805-1500NA](#) [conga-PA5/i-CSP-T](#) [FHE353526T710T](#) [FHS-K8020S00](#) [EP-FNDCACTCLUPS](#) [SK 570 25 SA](#)
[ICK LED R 40 X 27](#) [BXSTS200C 915970](#) [BXSTS200P 915972](#) [LA 27 K 75 ME 12 V](#)