

# DPS Series 30W, 60W AC/DC DIN Rail Power Supplies



AC - DC DIN rail mountable 30W and 60W class 2 power supplies

- UL, cUL, CE
- Universal input 85~264VAC
- High efficiency
- Short circuit protection
- Internal input filter
- 3 Year warranty



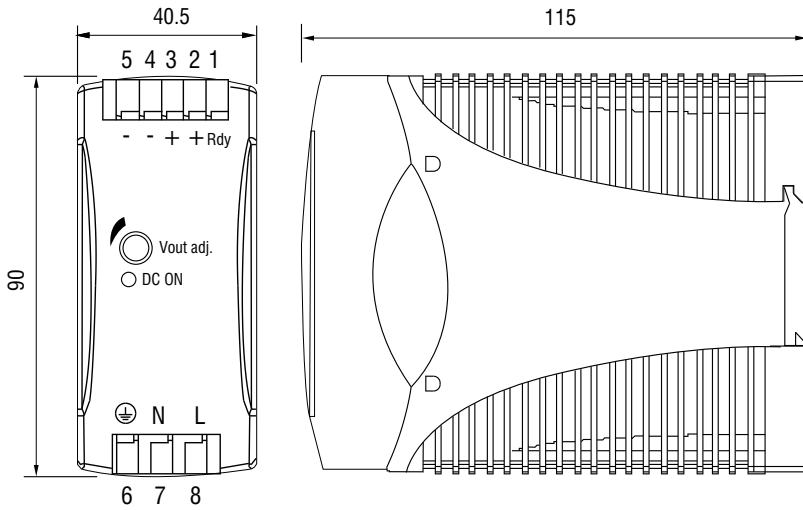
## Specifcaton

Model	DPS-1-030-24	DPS-1-060-24
Input Voltage	85~264VAC	
Output Wattage	30W	60W
Output Voltage	24VDC (Other output voltages available on request)	
Output Current	1250mA	2500mA
Efficiency (min/typ)	83/86%	86/89%
<b>General Specification</b>		
Isolation voltage	3000VAC	
Isolation resistance	100MΩ @ 500VDC	
Ambient temperature	-10 to +71°C	
Derating (from 61 to 71°C)	2.5%/°C	
Storage temperature	-25 to +85°C	
Relative humidity	20 to 90% RH	
Cooling	Free air convection	
Dimensions	L90 x W40.5 x D115 mm	
Weight	290g	360g
Case material	Plastic	
<b>Input Specifications</b>		
Rated input voltage	100 to 240VAC	
Input voltage range	85 to 264VAC, 90 to 375VDC	
Line frequency	47 to 63Hz	
Inrush current	20A @ 115VAC, 40A @ 230VAC	30A @ 115VAC, 60A @ 230VAC
<b>Output Specifications</b>		
Output voltage accuracy	±1%	
Minimum load	0%	
Line regulation	0.5%	
Load regulation	0.5%	
Turn on time	1000mS after AC applied to input at full resistive load	
Voltage fall time	150mS	
Voltage rise time	150mS at full resistive load	
Hold up time	20mS @ 115VAC, 30mS @ 230VAC	
Temperature coefficient	±0.02%/°C	
Ripple & noise	50mV	
Voltage trim range	24 to 28VDC	
DC ON indicator threshold at start up	19.2VDC	
<b>Control and Protection</b>		
Rated over load protection	110 to 140%	110 to 150%
Over voltage protection	30 to 33VDC	
Output short circuit	Fold forward	
<b>Approvals and Standards</b>		
CE, UL/cUL		

# DPS Series 30W, 60W AC/DC DIN Rail Power Supplies



## Dimensions (mm)



## Pin connections

Key	Description
Rdy (1)	DC OK output for relay (24V models only)
+	(2) Positive output terminal
+	(3) Positive output terminal
-	(4) Negative output terminal
-	(5) Negative output terminal
⊕	(6) Ground terminal to minimize high-frequency emissions
N	(7) Input terminals (neutral conductor, no polarity at DC input)
L	(8) Input terminals (phase conductor, no polarity at DC input)
DC ON	Operation indicator LED
Vout adj.	Trimmer-potentiometer for Vout adjustment

## Installation

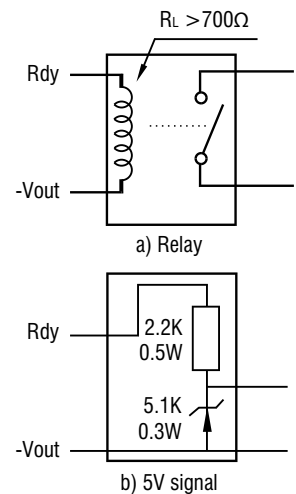
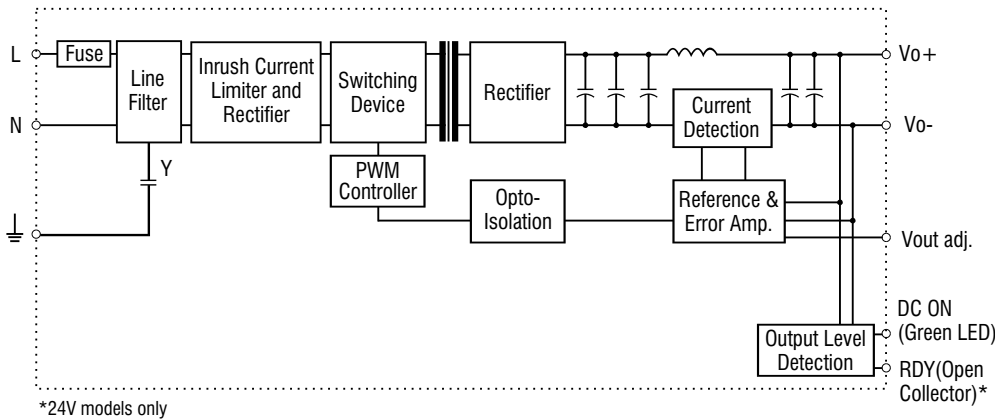
**Ventilation/Cooling**  
Normal convection  
All sides 25mm free space  
for cooling recommended

**Terminal size range**  
2 Solid: 0.2-2.0mm (AWG24-14)  
(use copper conductors only)

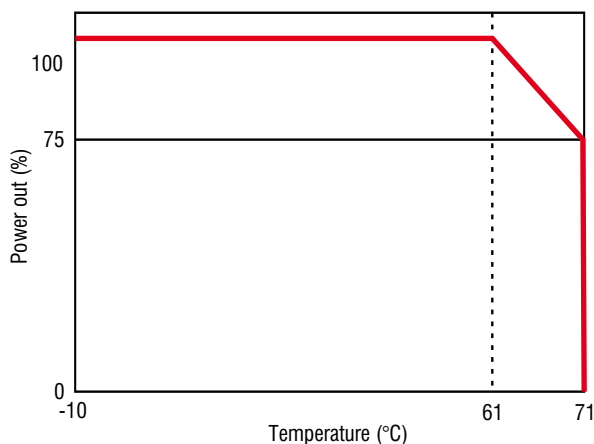
## Construction

Easy, safe and secure  
snap-on, snap-off  
DIN-Rail mounting  
(TS35/7.5 or TS35/15)

## Connections



## Derating



## Rdy connections

## X-ON Electronics

Largest Supplier of Electrical and Electronic Components

*Click to view similar products for imo manufacturer:*

Other Similar products are found below :

[20.155MV/12-E](#) [MC14N-S-10110AC](#) [DPS-1-030-24](#) [SRF-1C-SL-12VDC](#) [MB09-S-1024](#) [LDC18RRS](#) [SFSYE0111](#) [21.1500M/6-E](#)  
[20.3304M/2-E](#) [21.910M/5-E](#) [20.95MA/2-E](#) [21.95MHF/2-E](#) [PE69-4032](#) [DPS-1-060-24](#) [CS20A-A2](#) [CS20A-U1](#) [VFC02](#) [MSSTC11DA06](#)  
[20.2500M/4-E](#) [20.95MHF/3-E](#) [B3T10](#) [XKL-040-21](#) [20.3304M/4-E](#) [SRDH-1A-SL-24VDC](#) [20.2500M/5-E](#) [21.155MH/12](#) [SRRHN-2CN-SL-](#)  
[12VDC](#) [QYE21XXF24DC](#) [20.920M/5-E](#) [21.1550MF/8-E](#) [20.910M/6-E](#) [20.95MH/3-E](#) [MC10N-S-10110AC](#) [21.95MV/3](#) [MA05-S-01230AC](#)  
[SRRHN-2CN-SL-5VDC](#) [LB69-4040](#) [20.3001M/6](#) [SRGA-1A-SL-24VDC](#) [21.1500M/3-E](#) [21.95MHF/6-E](#) [20.95MV/2-E](#) [20.155MV/4-E](#)  
[ER2.5BEIGE](#) [20.950M/2-E](#) [MT5 1-50-FAR](#) [BS3P3REDO](#) [MB12-S-10=24](#) [MA05-S-1024DC](#) [20.155MVF/8-E](#)