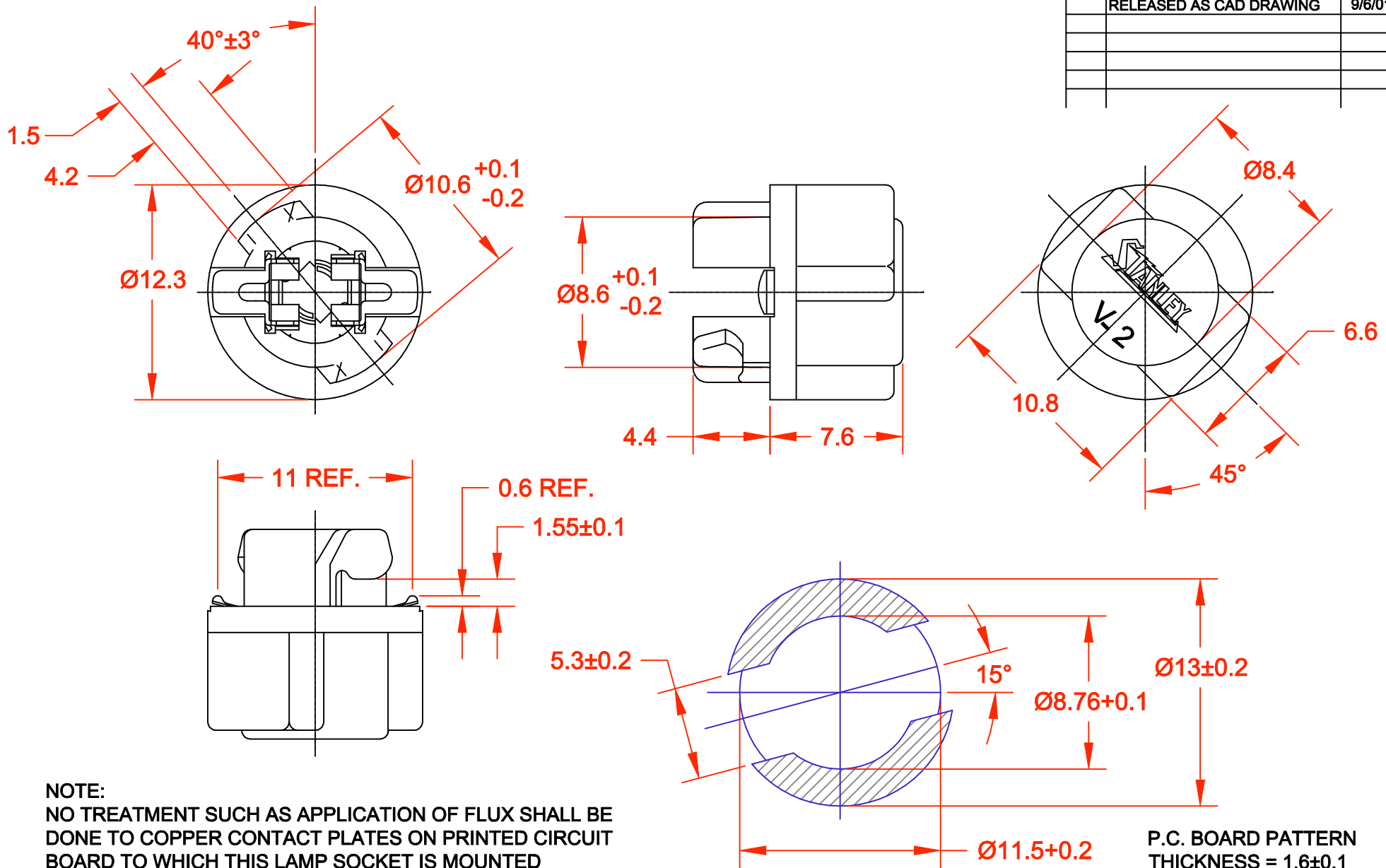


REV.	DESCRIPTION/ECO NO.	DATE
	RELEASED AS CAD DRAWING	9/6/01



NOTE:
NO TREATMENT SUCH AS APPLICATION OF FLUX SHALL BE DONE TO COPPER CONTACT PLATES ON PRINTED CIRCUIT BOARD TO WHICH THIS LAMP SOCKET IS MOUNTED

JKL SOCKET PART NO.	COLOR
2934/BLK	BLACK
2934/BRO	BROWN

METRIC		DIMENSIONS ARE IN MILLIMETERS		JKL COMPONENTS CORPORATION			
 THIRD ANGLE PROJECTION		TOLERANCE UNLESS OTHERWISE SPECIFIED 1 PL +/- 0.2 2 PL +/- 0.20 ANGLE +/- 0		TITLE			
				T-1 3/4 WEDGE BASE SOCKET			
DRAWN BY L. WENGSTROM	APPVD BY J.K.	DATE 9/6/01	SIZE A	FSCM NO. 55335	DRAWING NO.	SOCKET 2934	
- CAD DRAWING - MANUAL REVISIONS NOT PERMITTED			SCALE NONE	RELEASED DATE 9/6/01	REVISION DATE	REV. NO.	SHEET 1 OF 1

X-ON Electronics

Largest Supplier of Electrical and Electronic Components

Click to view similar products for [Lamp Holders & Accessories](#) category:

Click to view products by [JKL](#) manufacturer:

Other Similar products are found below :

[M81969/17-09](#) [D38999/20ZF11PA](#) [D38999/20ZF11SA](#) [D38999/20ZF11SA-LC](#) [D38999/20ZF32AA](#) [D38999/20ZF35SA](#) [D38999/20ZJ35SA](#)
[D38999/24ZF32BN](#) [D38999/24ZF32JN](#) [D38999/24ZF32SN](#) [D38999/24ZF35SN](#) [D38999/24ZF35SN-LC](#) [D38999/24ZG35SN-LC](#)
[8101000002201](#) [811730-1](#) [983-0SE14-07S8](#) [DAK83S-20](#) [DTS20Z9-35SA](#) [MS18236-1YN](#) [DTS24Z21-11SN](#) [DTS24Z21-16AN](#) [DTS24Z21-16PN](#) [DTS24Z21-16PN-LC](#) [MS25041-8-327](#) [BACC63CN1404S8A](#) [BACC63CN1407S8A](#) [EN2997S01407F8](#) [EN2997SE01407F8](#) [169-0412-11-201](#) [PBMBN](#) [251-7538-15-504](#) [2802](#) [2802](#) [294502](#) [983-0S14-04S8](#) [983-0S14-07S8](#) [983-0S14-07S8-L](#) [983-0SE14-04S8](#) [162-8430-0932-502-327](#) [183-9730-14-602](#) [21-16](#) [251-8738-15-504](#) [259-1930-29-801](#) [3062](#) [350-0410-01-203](#) [367-8430-09-802](#) [367-8430-09-810](#) [371-8738-14-504](#) [D38999/20ZA35SA](#) [D38999/20ZF32BA](#)