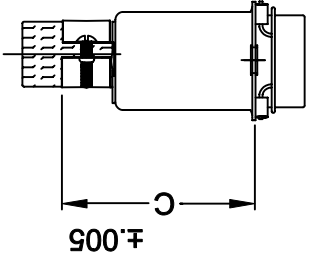
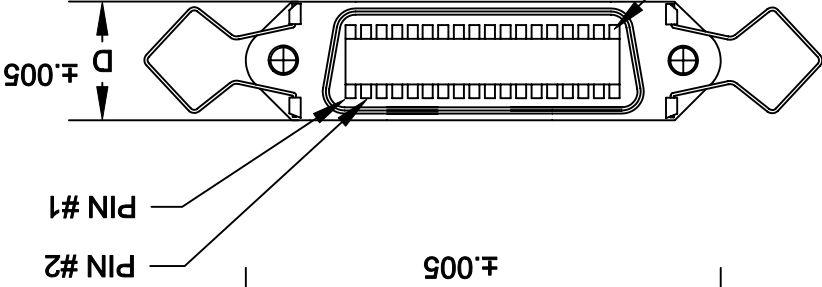
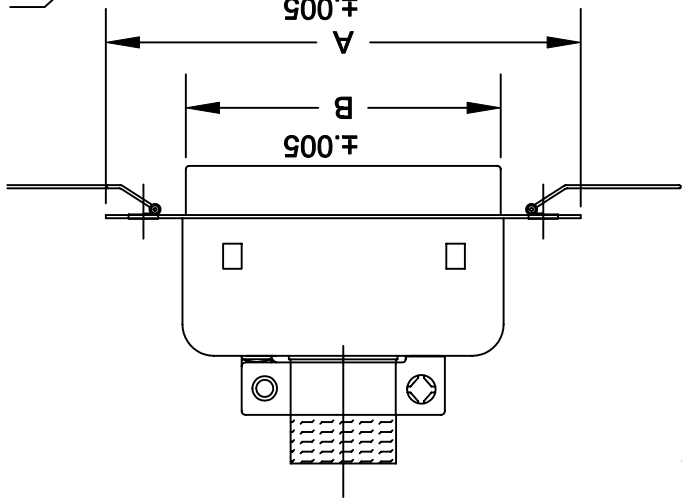


DESCRIPTION: FEMALE CENTRONICS BACKSHELL KIT

BACKSHELL KIT INCLUDES:

- (1) SOLDER CUP CONNECTOR
- (1) BACKSHELL WITH STRAIN RELIEF, (2) SCREWS
- (2) ASSEMBLY SCREWS
- (2) SPRING LATCHES
- (1) RUBBER GROMMET



MATERIALS:

INSULATOR: GLASS-FILLED THERMOPLASTIC
 UL RATED 94V-0 - 230°C PROCESS TEMP.
 CONTACTS: COPPER ALLOY
 SHELL: STEEL, NICKEL PLATED

ROHS COMPLIANT

ELECTRICALS:

CONTACT CURRENT RATING: 5 AMPS
 DIELECTRIC WITHSTANDING VOLTAGE: AC 1200 R.M.S.
 INSULATION RESISTANCE: 1000 mohms MINIMUM AT 500V DC
 CONTACT RESISTANCE: 30 MOHMS MAXIMUM
 OPERATING TEMPERATURE: -55°C TO +125°C



THESE DRAWINGS AND SPECIFICATIONS ARE THE PROPERTY OF NorComp AND SHALL NOT BE REPRODUCED, COPIED OR USED AS THE BASIS FOR THE MANUFACTURE OF SALE OF APPARATUS WITHOUT WRITTEN PERMISSION.

NorComp

DWG NO. 110-YYY-203L001

SCALE: 1:1
 SHEET 1 OF 1
 REV 3
 CHECKED: WAYNE ROBBINS
 DATE: 7-15-05
 DRAWN: WAYNE ROBBINS
 DATE: 7-15-05

WILL ACCEPT 26-20 AWG WIRE

SERIES 110-YYY-203L001

POSITIONS 014 - NOT AVAILABLE
 GENDER 1 = MALE
 2 = FEMALE
 TERMINATION: 0 = SOLDER CUP
 SHELL PLATING 3 = NICKEL
 HARDWARE OPTIONS: 00 = NOT AVAILABLE
 PLATING OPTIONS 1 = GOLD FLASH

14	1.729	.992	1.252	.622	43.92	25.20	31.79	15.80
24	2.167	1.417	1.225	.622	55.05	36.00	31.11	15.80
36	2.669	1.925	1.295	.622	67.80	48.90	32.90	15.80
50	3.260	2.519	1.407	.622	82.80	64.00	35.75	15.80
			A	B	C	D		

X-ON Electronics

Largest Supplier of Electrical and Electronic Components

Click to view similar products for [I/O Connectors](#) category:

Click to view products by [NorComp](#) manufacturer:

Other Similar products are found below :

[571763P](#) [58098-0628](#) [61-168618-12P](#) [D38999/20FJ24PA L/C](#) [D38999/20FJ29SB L/C](#) [D38999/24FG11SN L/C](#) [72.250.1628.2](#) [72.250.2428.2](#)
[74720-0505](#) [747680210](#) [76.350.0729.0](#) [76871-1403](#) [FCN-244F080-G/1](#) [FCN-260A9920](#) [FCN-268D024-G/2F#10X-R10](#) [MP-5T180MUNNA-005](#) [MP-5XRJ45UNNB-003](#) [PCS-E50FA](#) [PCS-XE26LKA](#) [PCS-XE26MA+](#) [PCS-XES68MS+](#) [G38A71314B](#) [91-569719-35R](#) [9776-18-6](#)
[DX40-50P\(55\)](#) [1571250010](#) [157-22500-3](#) [MS3471L14-19P L/C](#) [MS3476W12-10S L/C](#) [171224-6031](#) [1888020-8](#) [91-569786-35H](#) [91-569786-35M](#) [91-644626-35P](#) [172501-4002](#) [172501-6002](#) [FCN-260C008-A/L0](#) [FCN-260C024-AL0](#) [FCN-261Z008](#) [FCN-268D008-G/1K](#) [2000314-1](#)
[200331-1](#) [2007498-2](#) [PCR-E28LMDAG1+](#) [PCR-E36FC+](#) [PCS-E28FS+](#) [PCS-XE26SLFD+](#) [PCS-XE26SLFDT+](#) [G38A71214B](#) [HDRA-E68W1LFDTC-SL+](#)