

Description

The BRAVO Arduino shield can be controlled by many of the RF Solutions hand held remote controls, bringing Remote Control of your Arduino. It can also work with other BRAVO Arduino Shields to provide a Remote Telemetry link.

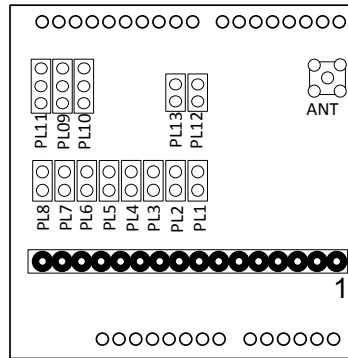
Resources

- BRAVO-T868 datasheet: Containing technical information including; pin description, dimensions and set-up of the BRAVO modem module.
<http://www.rfsolutions.co.uk/acatalog/DS-BRAVO.pdf>
- Build Pack: Containing schematic, Gerber's, Design Spark project file and the BOM for the shield.
- Arduino Code: please contact sales for further rdata

Ordering Information

Part No	Description
BRAVO-ARD	Arduino Shield for BRAVO Telemetry Module

PCB-BRAVO-ARD-1



Link	Action	Description
PL1, 8	Closed	Inputs / outputs controlled via the Arduino
	Open	Inputs / outputs disconnected from Arduino
PL 9	Closed/open/Arduino control	Watchdog option
PL 10	Closed/open/Arduino control	Momentary / latching option
PL 11	Closed/open/Arduino control	TX/RX option
PL12		External LED (pin1 cathode -ve, pin 2 Anode +ve) For the LED to work fit a 360R > 560R resistor to R1
PL13		Is for an external 0V LRN button

Examples for PL9 – 11 operation

PL9: (TX mode = Arduino Output) (RX mode = Arduino Input)

Pins 1, 2 closed = (LOW) watchdog ENABLED
 Pins 1, 2 open = (HIGH) watchdog DISABLED
 Pins 2, 3 closed = controlled via Arduino

PL10:

Pins 1, 2 closed = (LOW) Receiver mode
 Pins 1, 2 open = (HIGH) Transmitter mode
 Pins 2, 3 closed = controlled via Arduino

PL11: (RX mode only)

Pins 1, 2 Closed = (LOW) all outputs latching
 Pins 1, 2 Open = (HIGH) all outputs momentary

RF Solutions Ltd. Recycling Notice

Meets the following EC Directives:



DO NOT

Discard with normal waste, please recycle.



ROHS Directive 2002/95/EC

Specifies certain limits for hazardous substances.

WEEE Directive 2002/96/EC

Waste electrical & electronic equipment. This product must be disposed of through a licensed WEEE collection point. RF Solutions Ltd., fulfils its WEEE obligations by membership of an approved compliance scheme.

Waste Batteries and Accumulators Directive 2006/66/EC

Where batteries are fitted, before recycling the product, the batteries must be removed and disposed of at a licensed collection point.

Environment Agency producer registration number: WEE/JB0104WV.



X-ON Electronics

Largest Supplier of Electrical and Electronic Components

Click to view similar products for [Development Boards & Kits - Wireless](#) category:

Click to view products by [RF Solutions](#) manufacturer:

Other Similar products are found below :

[13237ADC-SFTW](#) [13237ADC-BDM](#) [SLWRB4542B](#) [SLWRB4546A](#) [CC-WMX51-LX](#) [TWR-13237](#) [TWR-13237-KIT](#) [DA14585-00VVDB-P](#)
[MKR MOTOR CARRIER](#) [AC164159](#) [RD-88MW322-R0](#) [RD-88MW320-R0](#) [FMC PCAM ADAPTER](#) [BLE 4 CLICK](#) [C METER CLICK](#)
[HALL CURRENT CLICK](#) [COLOR 3 CLICK](#) [COMPASS 2 CLICK](#) [COMPASS CLICK](#) [HDC1000 CLICK](#) [RELAY CLICK](#) [RIVERDI](#)
[CLICK](#) [CUGSM113#UFL](#) [R METER CLICK](#) [MATRIX G CLICK](#) [MATRIX RGB CLICK](#) [3D MOTION CLICK](#) [3G SARA CLICK](#)
[TDGL012](#) [4-20MA R CLICK](#) [4-20MA T CLICK](#) [THERMO CLICK](#) [MCP2003B CLICK](#) [EXPAND 3 CLICK](#) [MCP2542 CLICK](#) [MCP25625](#)
[CLICK](#) [ATA663211 CLICK](#) [ATA8520-EK3-E](#) [TOUCHKEY CLICK](#) [MICROSD CLICK](#) [TRF CLICK](#) [BUTTON R CLICK](#) [IR ECLIPSE](#)
[CLICK](#) [IRTHERMO 2 CLICK](#) [UNIQUE ID CLICK](#) [UV 2 CLICK](#) [CAN-SPI CLICK 3.3V](#) [CAN-SPI CLICK 5V](#) [CAP EXTEND CLICK](#)
[CAPSENSE CLICK](#)