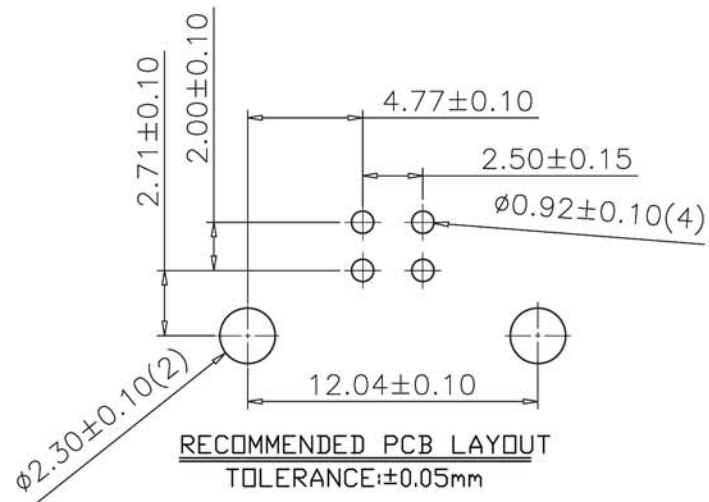
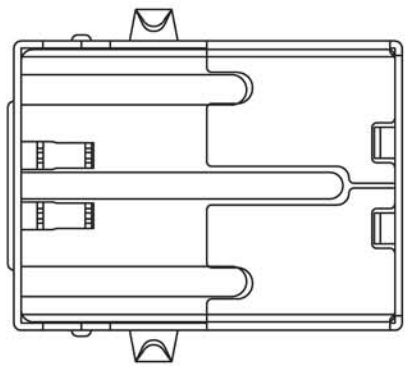
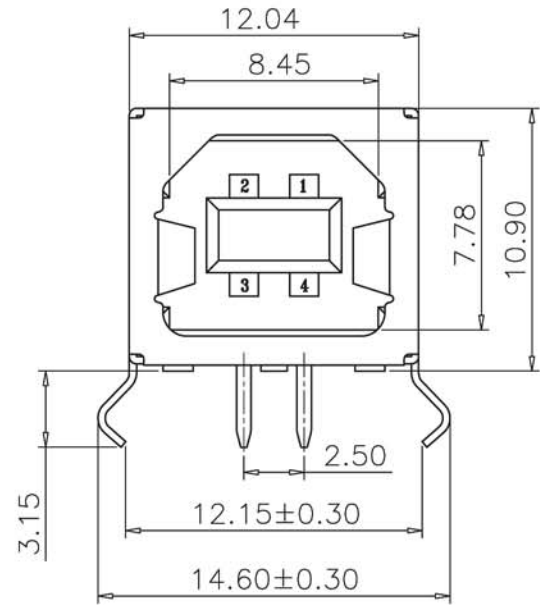
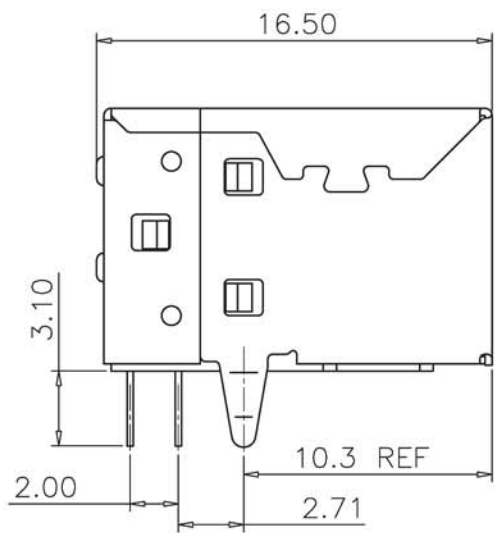


This document is the property of Amphenol Corporation and is delivered on the express condition that it is not to be disclosed, reproduced or used, in whole or in part, for the manufacture or sale by anyone other than Amphenol Corporation without its prior consent, and that no right is granted to disclose or to use any information in this document.



NOTE
 MATERIAL:
 INSULATOR: PBT+30% G.F. UL94V-0
 SHELL : BRASS
 BACKSHELL:SPCC
 SHELL: NICKEL OVER ALL PLATING
 CONTACTS :PHOSPHOR BRONZE
 COLD PLATING ON CONTACT AREA
 100u" TIN PLAING ON SOLDER TAIL
 50u" NICKEL UNDREREPLATED OVER ALL
 DURABILITY:1500 CYCLES MIN.
 CURRENT RATING: 1.5A
 VOLTAGE RATING: 30V
 WITHSTANDING VOLTAGE 500V AC
 CONTACT RESISTANCE 30MΩ MAX.
 INSULATION RESISTANCE 1000MΩ MIN.
 TEMPERATURE RANGE -55°C~+85°C



| TOLERANCE (mm) | APPROVALS | DATE | TITLE | AMPHENOL Amphenol European Design Center | |
|----------------------------|-------------------|-------------|--------------------|--|--------------------------|
| X. ±0.30 | DRAWN Stephane | 14/Jan/2015 | USB B type R/A Dip | Scale N.A. | Sheet 1 of 1 |
| X.X ±0.20 | CHECKED Rob | 14/Jan/2015 | | | |
| X.XX ±0.15 | APPROVED Rob | 14/Jan/2015 | | | |
| UNLESS OTHERWISE SPECIFIED | | | UNIT : mm | SIZE : A4 | DRAWING N° TUEB4F2D0B |
| | | | | | REV. C |

X-ON Electronics

Largest Supplier of Electrical and Electronic Components

Click to view similar products for [USB Cables / IEEE 1394 Cables](#) category:

Click to view products by [Amphenol](#) manufacturer:

Other Similar products are found below :

[68768-0173](#) [FNY-W6003-01](#) [88764-0800](#) [13805532](#) [148700-1](#) [17-200621](#) [17-250051P](#) [954](#) [AC102012-2](#) [IP-USB1\(C10\)S-RW](#)
[CABLE/RTP/USB/DT](#) [0847290003](#) [10115240-12200LF](#) [RS232-GTD](#) [USBFTVX2SA2N03A](#) [USBFTV2SA2N03A](#) [1689404-1](#) [FTP-](#)
[629Y401](#) [FTP-628Y402](#) [943301-001](#) [FNY-W6022](#) [FNY-W6003-03](#) [1310-1015-05](#) [1310-1018-04](#) [1310-1019-04](#) [0887283402](#) [UA-](#)
[30AMFM-SL7B02](#) [UA-30AMFM-SL7B01](#) [UA-30AFM-LD7B03](#) [UA-30AMFM-SL7B03](#) [USBAPSCC7202A](#) [UES-1001A160](#) [UES-](#)
[1003A160](#) [USBFTVX7SA2N20A](#) [USBFTVX2SA2N20A](#) [USBFTV2PEMSA2N10A](#) [FTP-629Y602](#) [USBCAMCM100](#) [USB A/F*2 to 2.54](#)
[2*5P-SH L=400mm](#) [EP-CBUSB10P2FLT](#) [1310-1033-01](#) [1310-1037-04](#) [ASR-USB](#) [68784-0075](#) [17-241361](#) [17-230471](#) [217B-BC02](#) [USB-29](#)
[19800-010500-200-RS](#) [USB+MINI DIN 6P WITH BKT](#)