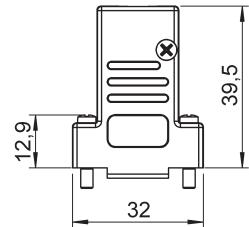
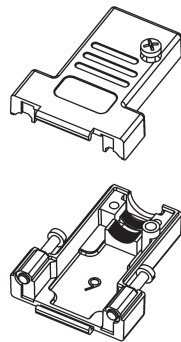
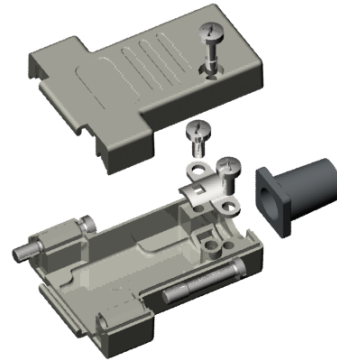


Shielded D-Sub Backshells DMTZK Series

TECHNICAL SPECIFICATIONS

| | |
|----------------------|--|
| Material: | Zinc, Ni-plated |
| Temp. range: | -40°C - 120°C |
| Cable strain relief: | Cable clamp with 2 assembly screws |
| Cable diameter: | 4.0 - 13.0 mm |
| Locking screws: | Delivered with pre-mounted jackscrews. |
| Cable outlet: | Straight |
| Attenuation factor: | > 60 dB between 300 MHz and 900 MHz |



PART NUMBERING SYSTEM

DMTZK9 - - K

| | |
|---------------------|--|
| Series: | DMTZK |
| Size: | 9 |
| Thread (jackscrew): | Omit = UNC 4-40 M2.5 M2.6 M3.0 |
| Packaging: | K = Kit package BULK = Bulk / 100 pcs |

FEATURES

- Available in size 9-way
- Minimise interference from electromagnetic and RF sources
- Non-static parts avoid ESD problems
- Accept round foil and braided cable types
- Approved according VDE 0871, FCC 20780 and 89/336/EU
- Company logotype available upon request
- Pre-mounted jackscrews with UNC 4-40 thread as standard. M2.5, M2.6 or M3.0 as option
- For custom designed solutions, please consult factory

X-ON Electronics

Largest Supplier of Electrical and Electronic Components

Click to view similar products for [ossi manufacturer](#):

Other Similar products are found below :

[D-JSS-45](#) [KK1A-8-SUB-D15](#) [KK1A-16-SUB-D15](#) [D-JSS-45-M3.0](#) [SIG-S](#) [DVZK25-BULK/50](#) [DTZK25-BULK/50](#) [SLCLIP-9-KIT](#)
[DVZK37-K](#) [DVZK9-BULK/50](#) [DJF-14-K](#) [DAPK-25-JSS-K](#) [DTNMK9-K](#) [SLCLIP-25-KIT](#) [DJF-8-3-4-K](#) [DAPMK-25-JSS-K](#) [D-JSS-NH-45](#)
[DTZK37-K](#) [D-JSS-32-M3.0](#) [D-JSS-NH-32-M3.0](#) [D-JSS-32](#) [DTZK9-K](#)