

NOTE:RoHS INFORMATIONs

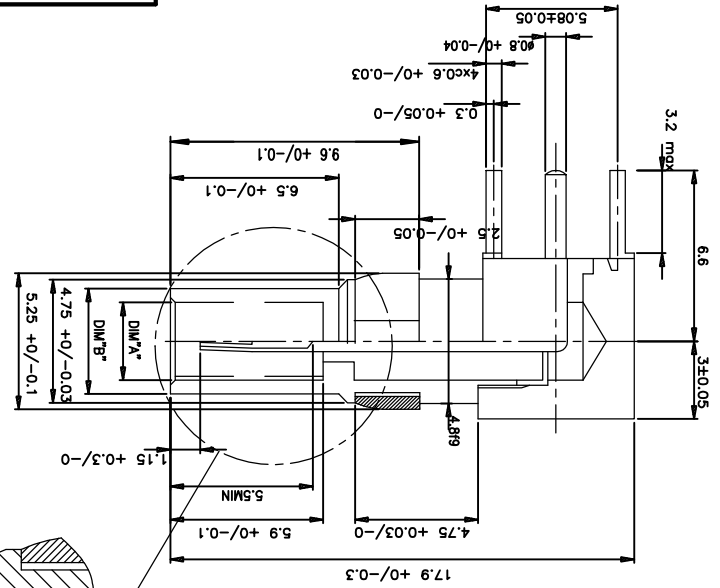
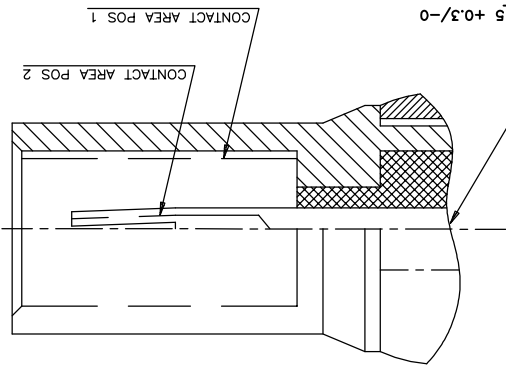
- The "LF" product meets European union Directives and other country regulations as described in GS-22-008.
- The product is not intended to be exposed to a manufacturing solder process.
- Packaging spec: see GS-14-920.

rev	ecn no	dr	date
G	LS06-0022	LGO	2006/03/06
H	LS07-0214	LGO	2007/08/20
J	LS08-0057	LGO	2008/02/18
K	F11-0306	APA	2011/09/19
L	F12-0030	APA	2012/03/19

		<b>FEMALE COAX</b> INSERT RA STB catalog no -		dwg no -		CUSTOMER sheet 1 of 1	
Dr	GOISNARD	2006/03/06	ANGULAR	± 2°	0.xx	± 0.1	BACKPANEL
Appr	LEGARE	2006/03/06	Product family	LINEAR	0.xx	± 0.1	Spec ref -
Chr	LEGARE	2006/03/06	ECN	F12-0030	F12-0030		
Eng	GOISNARD	2006/03/06	Scale	A3	5		
Rev	L	71637					

European Views

NOTES:  
 1. UNDERPLATING NI.  
 2. DIM. ACC. DIN 41626



LEAD-FREE P/N	IMPEDANCE	PLATING IN CONTACT AREA		DIM "A"	DIM "B"
		POS 1	POS 2		
71637-103LF	50 Ohm	1.3 µm Au MIN	1.3 µm Au MIN	3.0/+0.05/-0	4.07/+0/-0.04
71637-104LF	75 Ohm	1.3 µm Au MIN	1.3 µm Au MIN	3.35/+0.03/-0	4.3/+0.01/-0.03
71637-104ELF	75 Ohm	1.3 µm Au MIN	1.3 µm Au MIN	3.35/+0.03/-0	4.3/+0.01/-0.03
Order quantity > 10000					

## X-ON Electronics

Largest Supplier of Electrical and Electronic Components

*Click to view similar products for [fct electronics manufacturer](#):*

Other Similar products are found below :

[F2W2SC-1002](#) [FMK3-K201](#) [FT2W2SC-K121](#) [K761](#) [24P104C24P1-006](#) [SDB15P159S-060](#) [SHD15P15S-012](#) [SHD15P15S-036](#) [FU27W2S7-K121](#) [2761](#) [ICD040GVP163D-03](#) [ICD040GVP163D-25](#) [10056427-1050011LF](#) [155298-002](#) [155286-001](#) [172704-0016](#) [173112-0413](#) [173113-0152](#) [173109-0036](#) [111-0098-994](#) [173107-0568](#) [FM24W7P-K120](#) [FM9W4P-K120](#) [FWDR15S](#) [RB09P09P-006](#) [FLW0915S7](#) [FT2W2PC-K120](#) [25P203C25P2-003](#) [K1003](#) [10112041-2020HLF](#) [173112-0077](#) [173112-0074](#) [173114-0092](#) [10046971-019LF](#) [10093084-2010LF](#) [FWDR09S1](#) [SHD26P26S-012](#) [FWDR15P](#) [74977-101001LF](#) [FM25W3PA-K120](#) [173112-0073](#) [151-2811-010](#) [91910-21169LF](#) [SHD15P15S-060](#) [FKC3GNME](#) [FKT5](#) [CT50-78P7](#) [HM2R89PA8100N9LF](#) [FM27W2SA-K121](#) [73231-1321](#)