

## UM-BEFE 35

Order No.: 2955564


The illustration shows a combination of versions UM-SE, UM 16,5 BE, UM-BE 35, UM-BEFE 35, UM-SE-A 73 and UM-A/U 73 CM



<http://eshop.phoenixcontact.co.uk/phoenix/treeViewClick.do?UID=2955564>

Base element with snap-on foot, for mounting on NS 32 or NS 35/7.5  
DIN rail, with ribs, L = 35 mm

### Commercial data

EAN	 4 017918 085537
Pack	10
Customs tariff	85369010
Gross weight in pieces	23.30 g
Country of Origin	PL
Catalog page information	Page 762 (CAT-1-2013)

### Product notes

WEEE/RoHS-compliant since:  
01/01/2003



Please note that the data given here has been taken from the online catalog. For comprehensive information and data, please refer to the user documentation at <http://www.download.phoenixcontact.com>. The General Terms and Conditions of Use apply to Internet downloads.

### Certificates



Certification

UL Recognized

Certifications applied for:

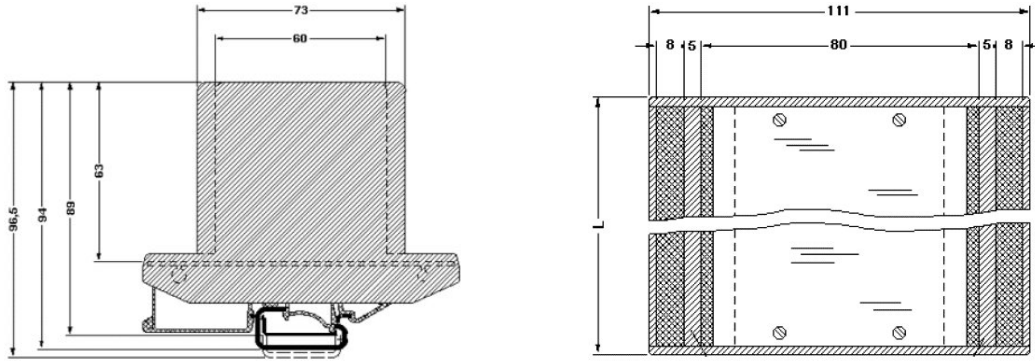
Certification Ex:

---

## Drawings

### Dimensioned drawing

---



UM-BEFE 35 Order No.: 2955564

<http://eshop.phoenixcontact.co.uk/phoenix/treeViewClick.do?UID=2955564>

---

**Address**

PHOENIX CONTACT Ltd  
Halesfield 13  
Telford / Shropshire / TF7 4PG,England  
Phone 01952 681 700  
Fax 01952 681 799  
<http://www.phoenixcontact.co.uk>



Phoenix Contact Ltd.  
Technical modifications reserved;

## X-ON Electronics

Largest Supplier of Electrical and Electronic Components

*Click to view similar products for [phoenix contact manufacturer](#):*

Other Similar products are found below :

[1203259](#) [3240366](#) [1893300](#) [2800744](#) [2867076](#) [3006564](#) [2800741](#) [5146480](#) [1582539](#) [1623633](#) [1507793](#) [3025587](#) [3069708](#) [1582223](#)  
[1431461](#) [1586976](#) [0311647](#) [1460160](#) [1771338](#) [3048387](#) [2814605](#) [0309086](#) [1513716](#) [3035684](#) [5451417](#) [0202219](#) [1647747](#) [1730667](#)  
[1709267](#) [5449018](#) [0311634](#) [1730696](#) [3034057](#) [0311579](#) [1730683](#) [0719032](#) [5449843](#) [3240098](#) [0311566](#) [0201391](#) [CRIMPFOX 16 S](#)  
[CRIMPSET 25](#) [7001438](#) [ETD-BL-1T-F-300S](#) [MCR-1CLP-I-I-00](#) [MCR-4CLP-I-I-00](#) [MCR-DAC 8-I- 4-BUS](#) [FL EPA WMS](#) [FLK 50/EZ-DR/](#)  
[400/KONFEK/S](#) [FLS PB M12 DO 8 M12-2A](#)