

THIS DRAWING IS UNPUBLISHED. RELEASED FOR PUBLICATION AUG. 2006.

© COPYRIGHT BY TYCO ELECTRONICS CORPORATION. ALL RIGHTS RESERVED.

LOC DW DIST

REVISIONS

P	LTR	DESCRIPTION	DATE	DWN	APVD
F7		REVISED(ECR-14-016406), ADD SIDE VIEW AND REDRAW	08DEC14	S.C.	H.L.

WEIGHT(g)	PCI-E COMPLIANCE	HOUSING MATERIAL	DIM. L	DIM. E	DIM. D	DIM. C	DIM. B	DIM. A	POS.	HOUSING COLOR	MIN. GOLD THICKNESS	PART NUMBER
8.7	GEN II & GEN III	PA9T	2.30	71.35	70	73.15	89	71.65	164	BLACK	30u"	4-1734774-8
5.45				38.35	37	40.15	56	38.65	98	WHITE		4-1734774-7
3.85				21.35	20	23.15	39	21.65	64	BLACK		4-1734774-6
2.55				7.35	6	9.15	25	7.65	36	WHITE		4-1734774-5
8.7				71.35	70	73.15	89	71.65	164	BLACK		4-1734774-4
5.45				38.35	37	40.15	56	38.65	98	WHITE		4-1734774-3
3.85				21.35	20	23.15	39	21.65	64	BLACK		4-1734774-2
2.55				7.35	6	9.15	25	7.65	36	WHITE		4-1734774-1
8.7				71.35	70	73.15	89	71.65	164	BLACK		15u" 4-1734774-0
5.45				38.35	37	40.15	56	38.65	98	WHITE		G/F 3-1734774-9
3.85				21.35	20	23.15	39	21.65	64	BLACK		15u" 3-1734774-8
2.55				7.35	6	9.15	25	7.65	36	WHITE		G/F 3-1734774-7
8.7				71.35	70	73.15	89	71.65	164	BLACK		15u" 3-1734774-6
5.45				38.35	37	40.15	56	38.65	98	WHITE		G/F 3-1734774-5
3.85				21.35	20	23.15	39	21.65	64	BLACK		15u" 3-1734774-4
2.55				7.35	6	9.15	25	7.65	36	WHITE		G/F 3-1734774-3
8.7	71.35	70	73.15	89	71.65	164	BLACK	15u" 3-1734774-2				
5.45	38.35	37	40.15	56	38.65	98	WHITE	G/F 3-1734774-1				
3.85	21.35	20	23.15	39	21.65	64	BLACK	15u" 3-1734774-0				
2.55	7.35	6	9.15	25	7.65	36	WHITE	G/F 3-1734774-9				
8.7	71.35	70	73.15	89	71.65	164	BLACK	15u" 2-1734774-8				
5.45	38.35	37	40.15	56	38.65	98	WHITE	G/F 2-1734774-7				
3.85	21.35	20	23.15	39	21.65	64	BLACK	15u" 2-1734774-6				
2.55	7.35	6	9.15	25	7.65	36	WHITE	G/F 2-1734774-5				
8.7	71.35	70	73.15	89	71.65	164	BLACK	15u" 2-1734774-4				
5.45	38.35	37	40.15	56	38.65	98	WHITE	G/F 2-1734774-3				
3.85	21.35	20	23.15	39	21.65	64	BLACK	15u" 2-1734774-2				
2.55	7.35	6	9.15	25	7.65	36	WHITE	G/F 2-1734774-1				
8.7	71.35	70	73.15	89	71.65	164	BLACK	15u" 2-1734774-0				
5.45	38.35	37	40.15	56	38.65	98	WHITE	G/F 2-1734774-9				
3.85	21.35	20	23.15	39	21.65	64	BLACK	15u" 1-1734774-8				
2.55	7.35	6	9.15	25	7.65	36	WHITE	G/F 1-1734774-7				
8.7	71.35	70	73.15	89	71.65	164	BLACK	15u" 1-1734774-6				
5.45	38.35	37	40.15	56	38.65	98	WHITE	G/F 1-1734774-5				
3.85	21.35	20	23.15	39	21.65	64	BLACK	15u" 1-1734774-4				
2.55	7.35	6	9.15	25	7.65	36	WHITE	G/F 1-1734774-3				
8.7	71.35	70	73.15	89	71.65	164	BLACK	15u" 1-1734774-2				
5.45	38.35	37	40.15	56	38.65	98	WHITE	G/F 1-1734774-1				
3.85	21.35	20	23.15	39	21.65	64	BLACK	15u" 1-1734774-0				
2.55	7.35	6	9.15	25	7.65	36	WHITE	G/F 1-1734774-9				
8.7	71.35	70	73.15	89	71.65	164	BLACK	15u" 1734774-8				
5.45	38.35	37	40.15	56	38.65	98	WHITE	G/F 1734774-7				
3.85	21.35	20	23.15	39	21.65	64	BLACK	15u" 1734774-6				
2.55	7.35	6	9.15	25	7.65	36	WHITE	G/F 1734774-5				
8.7	71.35	70	73.15	89	71.65	164	BLACK	15u" 1734774-4				
5.45	38.35	37	40.15	56	38.65	98	WHITE	G/F 1734774-3				
3.85	21.35	20	23.15	39	21.65	64	BLACK	15u" 1734774-2				
2.55	7.35	6	9.15	25	7.65	36	WHITE	G/F 1734774-1				
8.7	71.35	70	73.15	89	71.65	164	BLACK	15u" 1734774-0				
5.45	38.35	37	40.15	56	38.65	98	WHITE	G/F 1734774-9				
3.85	21.35	20	23.15	39	21.65	64	BLACK	15u" 1734774-8				
2.55	7.35	6	9.15	25	7.65	36	WHITE	G/F 1734774-7				
8.7	71.35	70	73.15	89	71.65	164	BLACK	15u" 1734774-6				
5.45	38.35	37	40.15	56	38.65	98	WHITE	G/F 1734774-5				
3.85	21.35	20	23.15	39	21.65	64	BLACK	15u" 1734774-4				
2.55	7.35	6	9.15	25	7.65	36	WHITE	G/F 1734774-3				
8.7	71.35	70	73.15	89	71.65	164	BLACK	15u" 1734774-2				
5.45	38.35	37	40.15	56	38.65	98	WHITE	G/F 1734774-1				
3.85	21.35	20	23.15	39	21.65	64	BLACK	15u" 1734774-0				
2.55	7.35	6	9.15	25	7.65	36	WHITE	G/F 1734774-9				

WEIGHT(g)	PCI-E COMPLIANCE	HOUSING MATERIAL	DIM. L	DIM. E	DIM. D	DIM. C	DIM. B	DIM. A	POS.	HOUSING COLOR	MIN. GOLD THICKNESS	PART NUMBER
8.8	GEN II	PA46	2.30	71.35	70	73.15	89	71.65	164	BLACK	30u"	9-1734774-7
5.5				38.35	37	40.15	56	38.65	98	WHITE		9-1734774-6
3.9				21.35	20	23.15	39	21.65	64	BLACK		9-1734774-5
2.55				7.35	6	9.15	25	7.65	36	WHITE		9-1734774-4
8.8				71.35	70	73.15	89	71.65	164	BLACK		9-1734774-3
5.5				38.35	37	40.15	56	38.65	98	WHITE		9-1734774-2
3.9				21.35	20	23.15	39	21.65	64	BLACK		9-1734774-1
2.55				7.35	6	9.15	25	7.65	36	WHITE		9-1734774-0
8.8				71.35	70	73.15	89	71.65	164	BLACK		15u" 8-1734774-9
5.5				38.35	37	40.15	56	38.65	98	WHITE		G/F 8-1734774-8
3.9				21.35	20	23.15	39	21.65	64	BLACK		15u" 8-1734774-7
2.55				7.35	6	9.15	25	7.65	36	WHITE		G/F 8-1734774-6
8.8				71.35	70	73.15	89	71.65	164	BLACK		15u" 8-1734774-5
5.5				38.35	37	40.15	56	38.65	98	WHITE		G/F 8-1734774-4
3.9				21.35	20	23.15	39	21.65	64	BLACK		15u" 8-1734774-3
2.55				7.35	6	9.15	25	7.65	36	WHITE		G/F 8-1734774-2
8.8	71.35	70	73.15	89	71.65	164	BLACK	15u" 8-1734774-1				
5.5	38.35	37	40.15	56	38.65	98	WHITE	G/F 8-1734774-0				
3.9	21.35	20	23.15	39	21.65	64	BLACK	15u" 8-1734774-9				
2.55	7.35	6	9.15	25	7.65	36	WHITE	G/F 8-1734774-8				
8.8	71.35	70	73.15	89	71.65	164	BLACK	15u" 7-1734774-7				
5.5	38.35	37	40.15	56	38.65	98	WHITE	G/F 7-1734774-6				
3.9	21.35	20	23.15	39	21.65	64	BLACK	15u" 7-1734774-5				
2.55	7.35	6	9.15	25	7.65	36	WHITE	G/F 7-1734774-4				
8.8	71.35	70	73.15	89	71.65	164	BLACK	15u" 7-1734774-3				
5.5	38.35	37	40.15	56	38.65	98	WHITE	G/F 7-1734774-2				
3.9	21.35	20	23.15	39	21.65	64	BLACK	15u" 7-1734774-1				
2.55	7.35	6	9.15	25	7.65	36	WHITE	G/F 7-1734774-0				
8.8	71.35	70	73.15	89	71.65	164	BLACK	15u" 7-1734774-9				
5.5	38.35	37	40.15	56	38.65	98	WHITE	G/F 7-1734774-8				
3.9	21.35	20	23.15	39	21.65	64	BLACK	15u" 7-1734774-7				
2.55	7.35	6	9.15	25	7.65	36	WHITE	G/F 7-1734774-6				
8.8	71.35	70	73.15	89	71.65	164	BLACK	15u" 6-1734774-5				
5.5	38.35	37	40.15	56	38.65	98	WHITE	G/F 6-1734774-4				
3.9	21.35	20	23.15	39	21.65	64	BLACK	15u" 6-1734774-3				
2.55	7.35	6	9.15	25	7.65	36	WHITE	G/F 6-1734774-2				
8.8	71.35	70	73.15	89	71.65	164	BLACK	15u" 6-1734774-1				
5.5	38.35	37	40.15	56	38.65	98	WHITE	G/F 6-1734774-0				
3.9	21.35	20	23.15	39	21.65	64	BLACK	15u" 5-1734774-9				
2.55	7.35	6	9.15	25	7.65	36	WHITE	G/F 5-1734774-8				
8.8	71.35	70	73.15	89	71.65	164	BLACK	15u" 5-1734774-7				
5.5	38.35	37	40.15	56	38.65	98	WHITE	G/F 5-1734774-6				
3.9	21.35	20	23.15	39	21.65	64	BLACK	15u" 5-1734774-5				
2.55	7.35	6	9.15	25	7.65	36	WHITE	G/F 5-1734774-4				
8.8	71.35	70	73.15	89	71.65	164	BLACK	15u" 5-1734774-3				
5.5	38.35	37	40.15	56	38.65	98	WHITE	G/F 5-1734774-2				
3.9	21.35	20	23.15	39	21.65	64	BLACK	15u" 5-1734774-1				
2.55	7.35	6	9.15	25	7.65	36	WHITE	G/F 5-1734774-0				

THIS DRAWING IS A CONTROLLED DOCUMENT.

DIMENSIONS: MM

TOLERANCES UNLESS OTHERWISE SPECIFIED:

0 PLC ± -  
1 PLC ± 0.3  
2 PLC ± 0.2  
3 PLC ± 0.15  
4 PLC ± -  
ANGLES ± 3'

MATERIAL FINISH

DWN B. HSING 15JUL2009  
CHK S. CHIEN 15JUL2009  
APVD W. KODAMA 15JUL2009

PRODUCT SPEC 108-57871  
APPLICATION SPEC

WEIGHT

CUSTOMER DRAWING

STE TE Connectivity

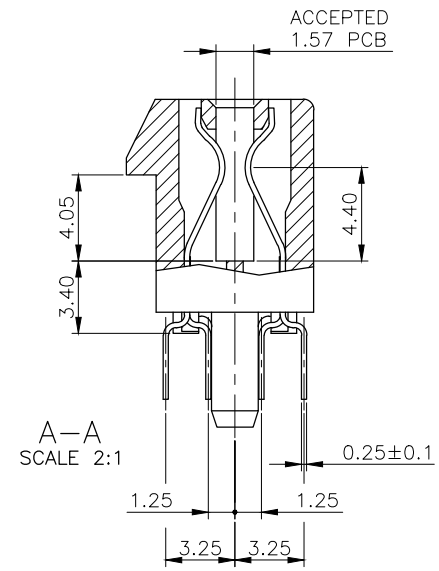
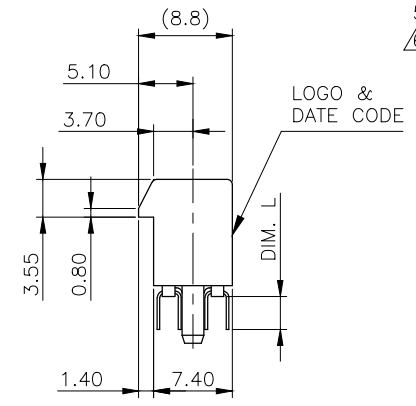
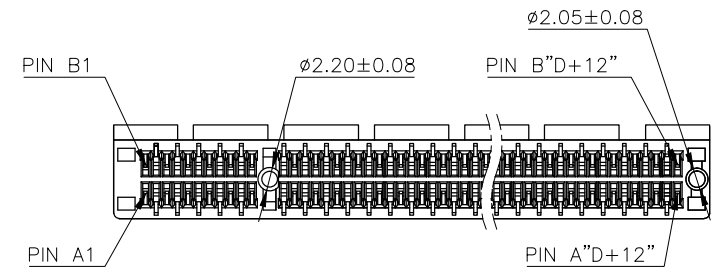
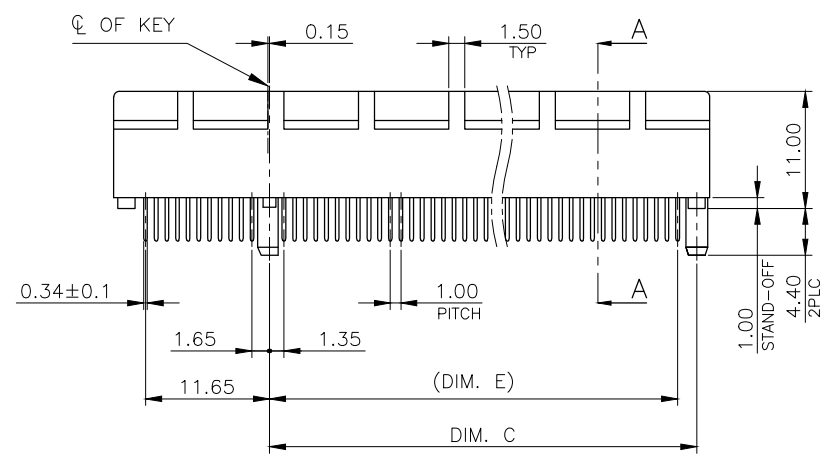
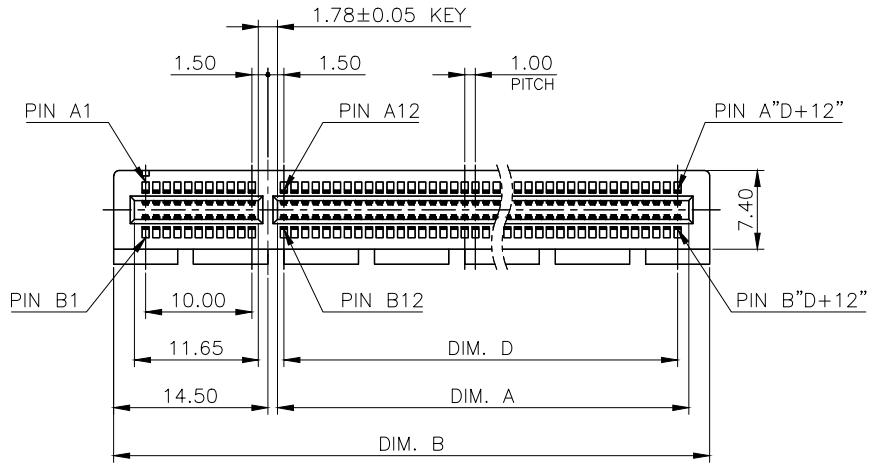
NAME PCI EXPRESS CARD EDGE CONNECTOR VERTICAL, DIP TYPE, 3GIO

SIZE A3 CAGE CODE 00779 DRAWING NO C=1734774 RESTRICTED TO

SCALE SHEET 1 of 5 REV F7

THIS DRAWING IS UNPUBLISHED. RELEASED FOR PUBLICATION AUG ,2006.  
 © COPYRIGHT BY TYCO ELECTRONICS CORPORATION. ALL RIGHTS RESERVED.

LOC		DIST		REVISIONS			
P	LTR	DESCRIPTION		DATE	DWN	APVD	
		SEE SHEET 1					



- NOTES:
- MATERIAL:
    - HOUSING: 1.PA46 WITH 40% G.F, UL94 V-0, COLOR: SEE TABLE.  
2.PA9T WITH 30% GF, UL94 V-0, COLOR: SEE TABLE.
    - CONTACT: PHOSPHOR BRONZE
  - FINISH:
 

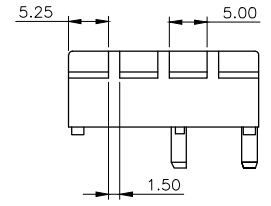
CONTACT: (SEE TABLE) GOLD PLATING ON CONTACT AREA.  
2.54um [100u"] MIN. MATTE-TIN PLATING ON SOLDER TAIL AREA.  
1.27um [50u"] MIN. NICKEL UNDERPLATING OVERALL.
  - CONNECTOR HAS MET THE REQUIREMENTS PER PCI EXPRESS GEN 2 TECHNICAL DOCUMENT.
  - WEIGHT:
 

36 POS.: 2.55 GRAMS; 64 POS.: 3.90 GRAMS  
98 POS.: 5.50 GRAMS; 164 POS.: 8.80 GRAMS
  - WAVE SOLDER CAPABLE TO 265°C PER TEST SPEC. 109-202 CONDITION B.  
 ⚠️ REFLOW SOLDER CAPABLE TO 260°C PER TEST SPEC. 109-201 CONDITION B.  
 (REFLOW SOLDERING PLEASE USE PN : 1734774-1 TO 4-1734774-8)

THIS DRAWING IS A CONTROLLED DOCUMENT.		DWN	TE Connectivity		
DIMENSIONS: MM		CHK	NAME		
TOLERANCES UNLESS OTHERWISE SPECIFIED:		APVD	PCI EXPRESS CARD EDGE CONNECTOR VERTICAL, DIP TYPE, 3GIO		
0 PLC ± -		PRODUCT SPEC	SIZE	CAGE CODE	DRAWING NO
1 PLC ± 0.3		APPLICATION SPEC	A3	00779	C=1734774
2 PLC ± 0.2			WEIGHT	SEE NOTE 4	RESTRICTED TO
3 PLC ± 0.15			CUSTOMER DRAWING	SCALE	SHEET 2 of 5
4 PLC ± -					REV F7
ANGLES ± 3'					
MATERIAL	FINISH				
SEE NOTE	SEE NOTE				

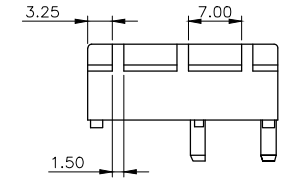
THIS DRAWING IS UNPUBLISHED. RELEASED FOR PUBLICATION AUG ,2006.  
 © COPYRIGHT BY TYCO ELECTRONICS CORPORATION. ALL RIGHTS RESERVED.

LOC	DIST	REVISIONS			
P	LTR	DESCRIPTION	DATE	DWN	APVD
DW		SEE SHEET 1.			

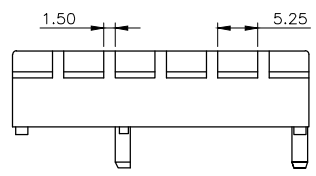


PN X-1 TO 4-X-8  
(PA9T TYPE)

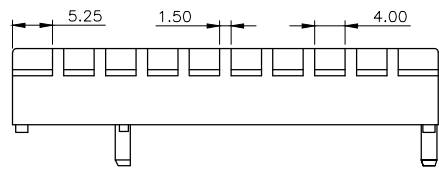
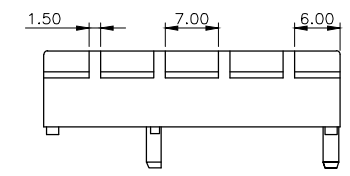
36 POS.



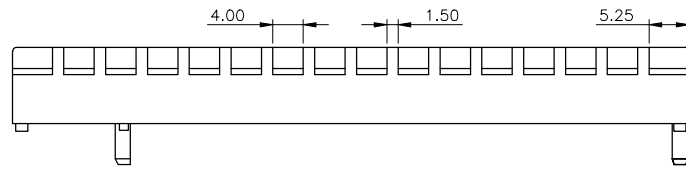
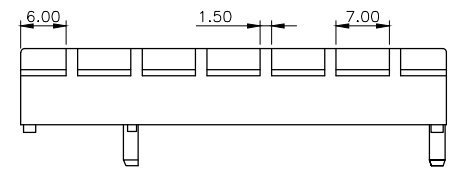
PN 5-X-0 TO 9-X-7  
(PA46 TYPE)



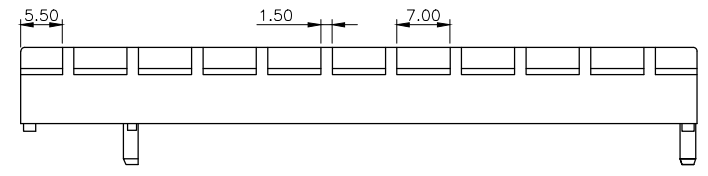
64 POS.



98 POS.



164 POS.



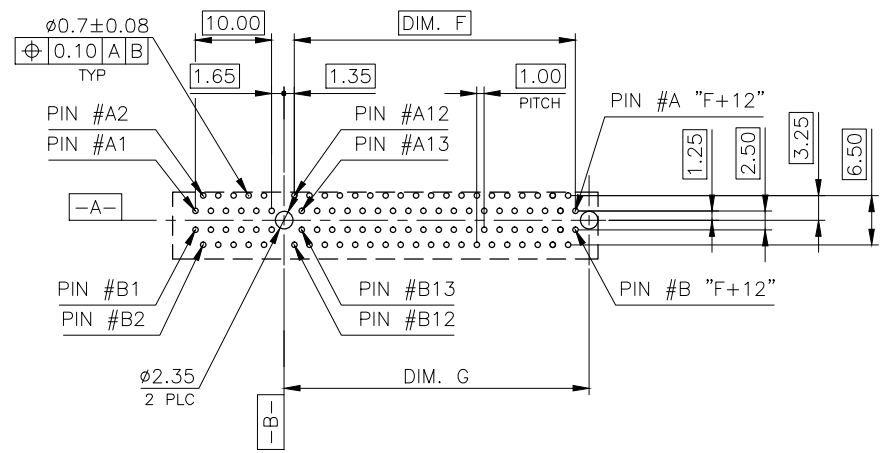
THIS DRAWING IS A CONTROLLED DOCUMENT.		DWN	TE Connectivity			
DIMENSIONS: MM		CHK				
DIMENSIONS: MM 		APVD	NAME			
TOLERANCES UNLESS OTHERWISE SPECIFIED: 0 PLC ± - 1 PLC ± 0.25 2 PLC ± 0.25 3 PLC ± 0.25 4 PLC ± - ANGLES ± -		PRODUCT SPEC	PCI EXPRESS CARD EDGE CONNECTOR VERTICAL, DIP TYPE, 3GIO			
MATERIAL		APPLICATION SPEC	SIZE	CAGE CODE	DRAWING NO	RESTRICTED TO
FINISH		WEIGHT	A3	00779	C=1734774	-
CUSTOMER DRAWING			SCALE	SHEET	3 of 5	REV F7

THIS DRAWING IS UNPUBLISHED. RELEASED FOR PUBLICATION AUG ,2006.  
 © COPYRIGHT BY TYCO ELECTRONICS CORPORATION. ALL RIGHTS RESERVED.

LOC	DIST	REVISIONS					
DW		P	LTR	DESCRIPTION	DATE	DWN	APVD
		SEE SHEET 1.					

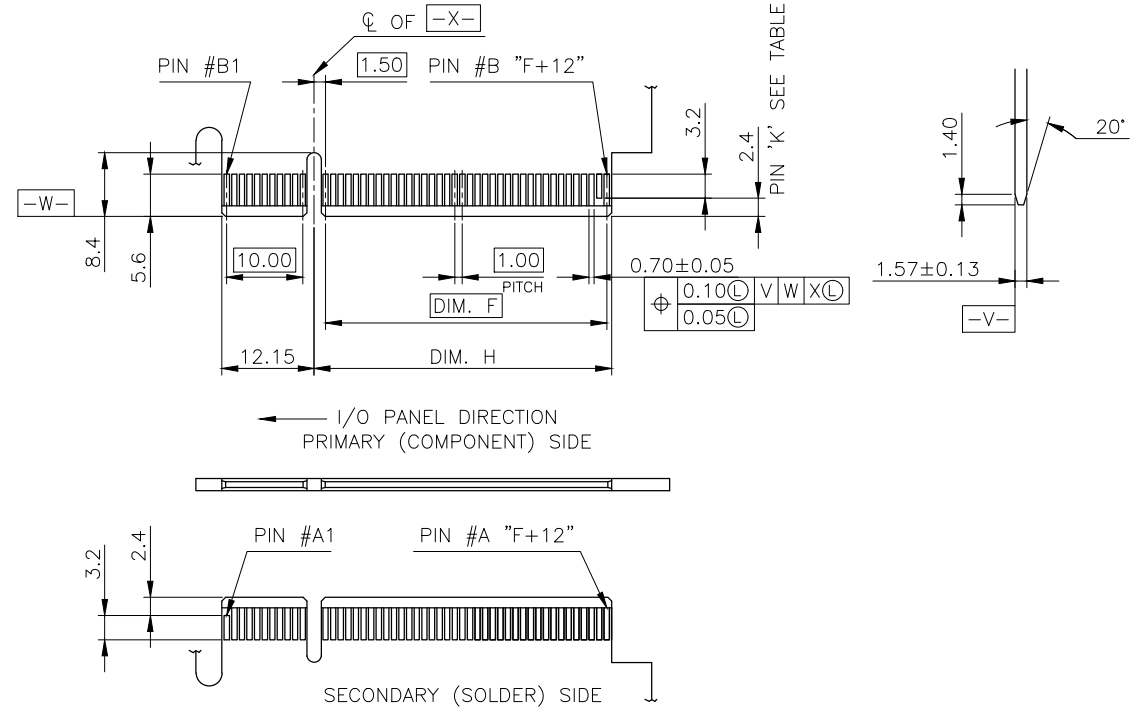
ADD-IN CARD EDGE-FINGER DIMENSIONS

NOTES:  
 CHAMFER EDGE MUST BE FREE OF CUTTING BURRS



RECOMMENDED PCB LAYOUT

TOLERANCE: ±0.05  
 FOR DIM.L=3.1mm PCB THICKNESS: 2.4mm  
 FOR DIM.L=2.3mm PCB THICKNESS: 1.6mm



I/O PANEL DIRECTION  
 PRIMARY (COMPONENT) SIDE

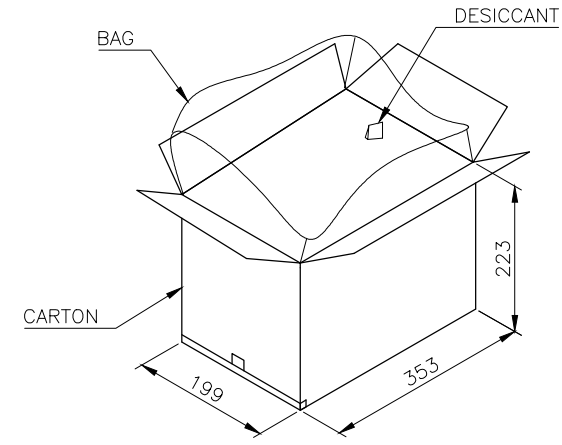
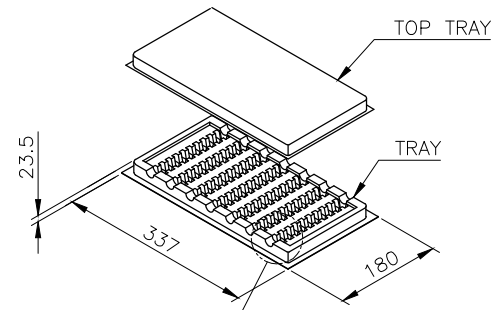
SECONDARY (SOLDER) SIDE

164	70.0	73.15	72.15	B17, B31, B48, B81
98	37.0	40.15	39.15	B17, B31, B48
64	20.0	23.15	22.15	B17, B31
36	6.0	9.15	8.15	B17
POS.	DIM. F	DIM. G	DIM. H	"K"

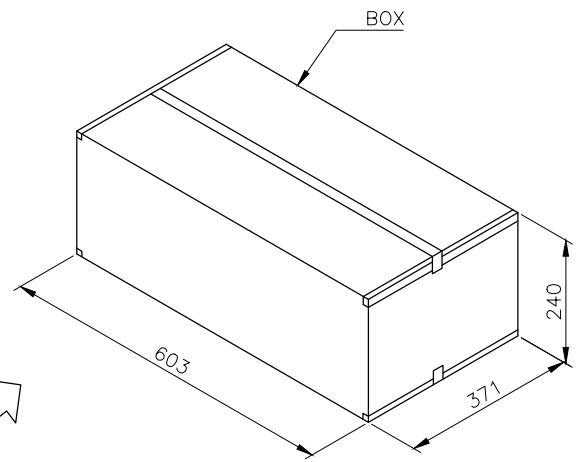
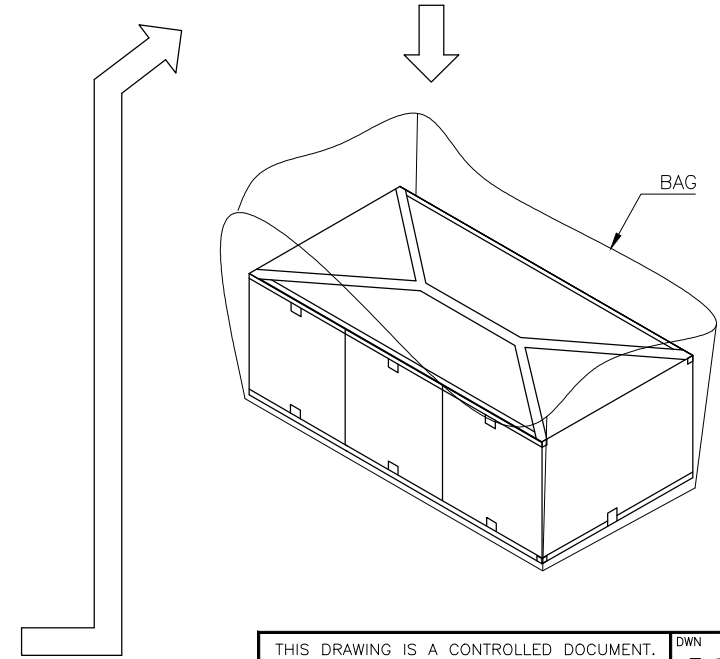
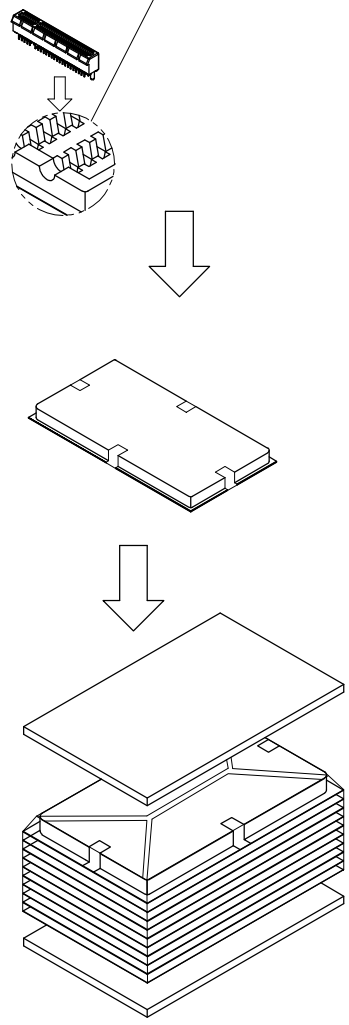
THIS DRAWING IS A CONTROLLED DOCUMENT.		DWN	TE Connectivity		
DIMENSIONS: MM		CHK	PCI EXPRESS CARD EDGE CONNECTOR VERTICAL, DIP TYPE, 3GIO		
TOLERANCES UNLESS OTHERWISE SPECIFIED:		APVD	NAME		
0 PLC ± -		PRODUCT SPEC	SIZE		
1 PLC ± -		APPLICATION SPEC	CAGE CODE		
2 PLC ± -		WEIGHT	DRAWING NO		
3 PLC ± -		CUSTOMER DRAWING	RESTRICTED TO		
4 PLC ± -			A300779 C=1734774		
ANGLES ± -			SCALE		
FINISH			SHEET 4 of 5		
			REV F7		

THIS DRAWING IS UNPUBLISHED. RELEASED FOR PUBLICATION AUG ,2006.  
 © COPYRIGHT BY TYCO ELECTRONICS CORPORATION. ALL RIGHTS RESERVED.

LOC	DIST	REVISIONS					
DW		P	LTR	DESCRIPTION	DATE	DWN	APVD
				SEE SHEET 1.			



- NOTES :
- MATERIAL :  
 TRAY : PVC, COLOR: TRANSPARENT.  
 CARTON: CORRUGATED FIBER  
 BOX: CORRUGATED FIBER
  - DIMENSION :  
 TRAY: SEE DRAWING  
 CARTON: SEE DRAWING  
 BOX : SEE DRAWING
  - QUANTITY : SEE TABLE
  - WEIGHT : SEE TABLE



10.2 Kg	8.2 Kg	30	10	3	900	164
9.0 Kg	7.0 Kg	40	10	3	1200	98
8.5 Kg	6.5 Kg	60	10	3	1800	64
7.6 Kg	5.6 Kg	70	10	3	2100	36
GROSS WEIGHT	NET WEIGHT	PCS/ TRAY	TRAY/ CARTON	CARTON/ BOX	PCS/ BOX	POS.

THIS DRAWING IS A CONTROLLED DOCUMENT.		DWN	TE Connectivity			
DIMENSIONS: MM		CHK	NAME			
TOLERANCES UNLESS OTHERWISE SPECIFIED: 0 PLC ± - 1 PLC ± - 2 PLC ± - 3 PLC ± - 4 PLC ± - ANGLES ± -		APVD	PCI EXPRESS CARD EDGE CONNECTOR VERTICAL, DIP TYPE, 3GIO			
MATERIAL		PRODUCT SPEC	SIZE	CAGE CODE	DRAWING NO	RESTRICTED TO
FINISH		APPLICATION SPEC	A3	00779	C=1734774	
		WEIGHT	CUSTOMER DRAWING		SCALE	SHEET 5 of 5 REV F7

## X-ON Electronics

Largest Supplier of Electrical and Electronic Components

*Click to view similar products for [PCI Express/PCI Connectors](#) category:*

*Click to view products by [TE Connectivity](#) manufacturer:*

Other Similar products are found below :

[UEX220-6U](#) [0877159203](#) [10039755-10110TLF](#) [10039755-10211TLF](#) [10025026-10003PLF](#) [10125756-A41010LF](#) [10125756-980000LF](#) [1-1871239-2](#) [2170560-2](#) [10082378-11003TLF](#) [10125756-980000LF](#) [1775861-2](#) [10039755-10111TLF](#) [EB220-3U](#) [WD2M144WB2R300](#) [10061913-120PLF](#) [10108777-10002WLF](#) [GPCP146400111HR](#) [10144667-112Y0LF](#) [10144667-113Y0LF](#) [205058-1001](#) [GPCP446200120HR](#) [GPCP245400111HR](#) [10082378-10000TLF](#) [10082378-10001TLF](#) [87715-9256](#) [MDT580M03001](#) [0877159107](#) [205058-1003](#) [MDT580M01001](#) [10018783-11000MLF](#) [10061913-103BLF](#) [10145445-10003MLF](#) [PSASF2130311TR](#) [10147430-113T0LF](#) [10146070-113Y0LF](#) [MDT670M01005](#) [10108777-10200MLF](#) [MDT420M01002](#) [PSASF3130211TR](#) [PSASF4130051TR](#) [PSASM2130412TR](#) [PSASM2130391TR](#) [10139595-111T0LF](#) [10139595-110T0LF](#) [PSASF3130131TR](#) [0745400501](#) [7-1734774-7](#) [10150900-052R2LF](#) [3-1761465-1](#)