



Encoder accessories

 Encoder accessories (PDF 139 KB)



DSK48

Double loop coupling DSK48

for encoder with shaft \varnothing 10 mm, 12 mm or 14 mm.

No moving parts, thermally and electrically insulating, smooth running, maintenance-free.

Good resistance to

Gasoline, oil, benzene, toluene, aromatic and non aromatic hydrocarbons, alcohols, glycols, solvents and many chemicals.

[→ Print version](#)

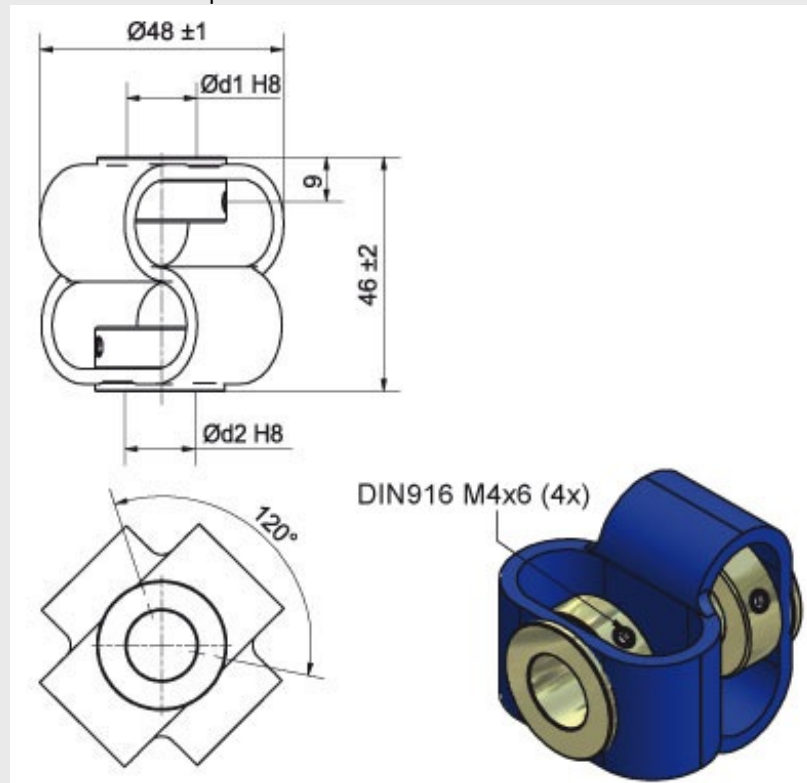
Product data

Max. operating speed	3000 rpm
Max. torque	200 Ncm
Max. offset of shafts radial	± 3.0 mm
Max. offset of shafts axial	± 4.0 mm
Max. offset of shafts angular	$\pm 12^\circ$
Torsion spring stiffness	28 Nm/rad
Radial spring stiffness	7 N/mm
Moment of inertia	106 gcm ²
Max. clamping torque	200 Ncm
Weight	85 g

Material	flange: steel galvanized connecting element: polyurethane
Operating temperature	-30 °C up to +80 °C
Order number(s)	
DSK48 10 10	double loop coupling: Ø d1 = 10 mm, Ø d2 = 10 mm
DSK48 10 12	double loop coupling: Ø d1 = 10 mm, Ø d2 = 12 mm
DSK48 12 12	double loop coupling: Ø d1 = 12 mm, Ø d2 = 12 mm

Drawings

All dimensional specifications in mm





For further information please contact our local distributor.
Here you find a list of our [distributors worldwide](#)

Wachendorff Automation GmbH & Co. KG - Industriestrasse 7 - D-65366 Geisenheim
wdg@wachendorff.de - Tel. +49 6722 996525 - Fax +49 6722 996570

X-ON Electronics

Largest Supplier of Electrical and Electronic Components

Click to view similar products for [wachendorff](#) manufacturer:

Other Similar products are found below :

[Wachendorff](#)