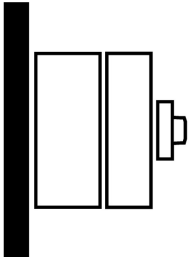




**Part no.**  
**Article no.**

**DMM-160/3N/I5/P-B**  
**172789**

### Delivery programme

Product range				Main switch maintenance switch Repair switch
Part group reference				DMM  with blue knob in CI-K5 enclosure
<b>Notes</b>				auxiliary contact fitted by user
Main circuits Poles				3 + N
Auxiliary contacts				
			N/O	0
			N/C	0
Locking facility				1 padlock,  5 mm
Degree of Protection				IP65
Design				surface mounting
				
Motor rating AC-23A, 50 - 60 Hz				
400 V	P	kW		75
Rated uninterrupted current	$I_u$	A		160

### General

Standards				IEC/EN 60947, VDE 0660, IEC/EN 60204, Switch-disconnector according to IEC/EN 60947-3
Certifications				CE, RoHs, KEMA, GOST-R, Lloyds
Ambient temperature			°C	
Operation	$\theta$	°C		-25 - +60
Storage	$\theta$	°C		-40 - +80
Overvoltage category/pollution degree				III/3
Rated impulse withstand voltage	$U_{imp}$	V AC		6000
Rated insulation voltage	$U_i$	V AC		1000
Mounting position				As required
Protection against direct contact when actuated from front (EN 50274)				Finger and back-of-hand proof

### Contacts

Mechanical variables				
Main circuits Poles				3 + N
Auxiliary contacts				

		N/O	0
		N/C	0
<b>Electrical characteristics</b>			
Rated operational voltage	$U_e$	V AC	690
Rated uninterrupted current	$I_u$	A	160
Note on rated uninterrupted current $I_u$			Rated uninterrupted current $I_u$ is specified for max. cross-section.
<b>Short-circuit rating</b>			
fuse			160
Rated conditional short-circuit current	$I_q$	kA	415 V: 30 690 V: 50
Breaking current		kA	13.5
max. let-through energy		$kA^2s$	86,9
Rated short-time withstand current (1 s current)	$I_{cw}$	$A_{rms}$	2500
Note on rated short-time withstand current $I_{cw}$			Current for a time of 1 second

### Switching capacity

Rated breaking capacity $\cos \varphi$ to IEC 60947-3		A	
400/415 V		A	1080
500 V		A	528
690 V		A	336
<b>Safe isolation to EN 61140</b>			
Current heat loss per contact at $I_e$		W	7.4
Lifespan, mechanical	Operations		10000
<b>AC</b>			
<b>AC-21A</b>			
Rated operational current switch			
400 V 415 V	$I_e$	A	160
500 V	$I_e$	A	160
690 V	$I_e$	A	160
<b>AC-22A</b>			
Rated operational current switch			
400 V 415 V	$I_e$	A	160
500 V	$I_e$	A	160
690 V	$I_e$	A	160
<b>AC-23A</b>			
Rated operational current switch			
400 V 415 V	$I_e$	A	135
500 V	$I_e$	A	66
690 V	$I_e$	A	42
Motor rating AC-23A, 50 - 60 Hz			
400 V 415 V	P	kW	75
500 V	P	kW	45
690 V	P	kW	37

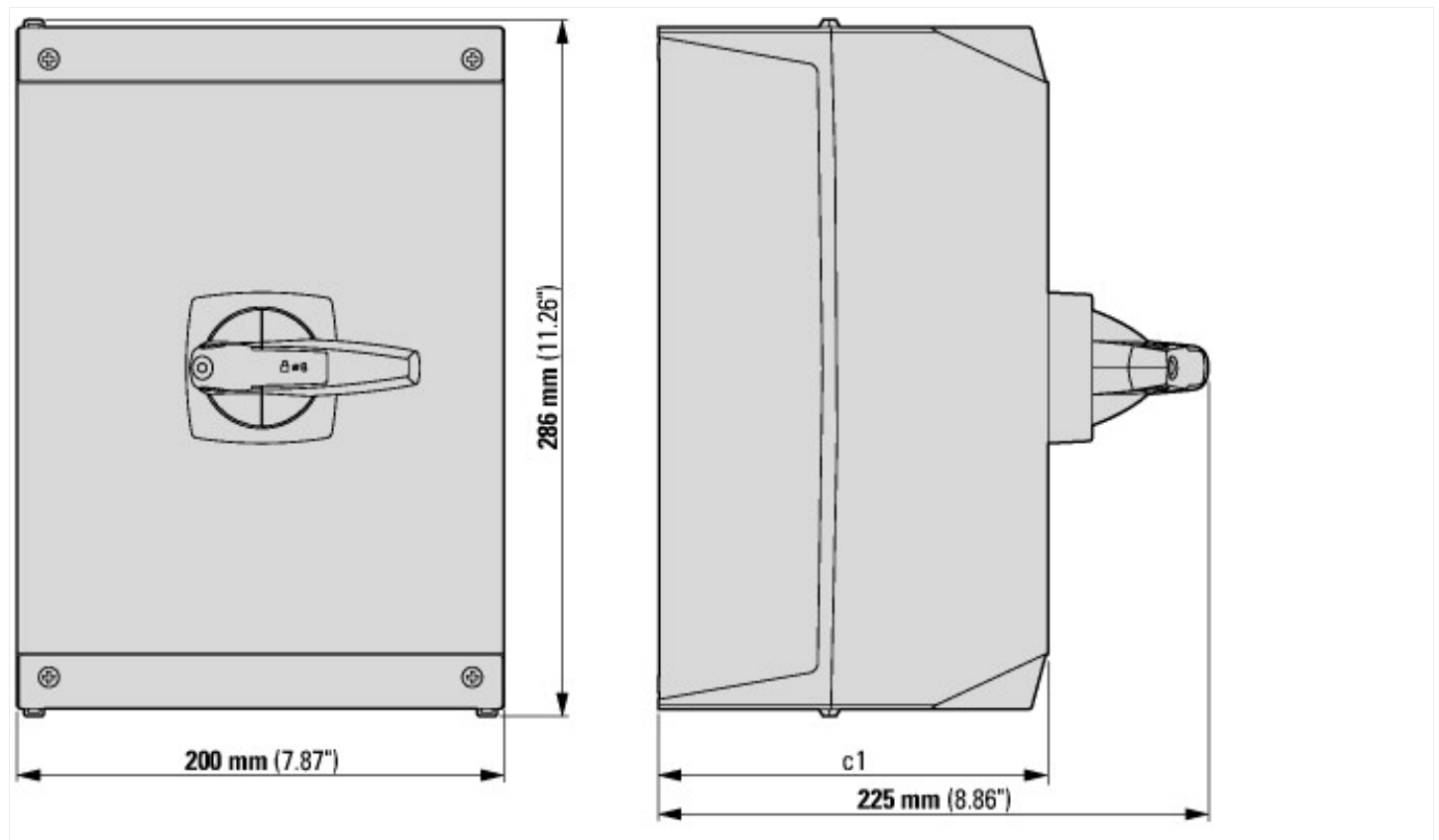
### Terminal capacities

Flexible with ferrules to DIN 46228		$mm^2$	
flexible		$mm^2$	6 - 70
Max. tightening torque		Nm	3.8

### Technical safety parameters:

<b>Notes</b>			B10 <sub>d</sub> values as per EN ISO 13849-1, table C1
--------------	--	--	---

## Dimensions



## Additional product information (links)

### IL008006Z Switch-disconnectors

IL008006Z Switch-disconnectors	<a href="ftp://ftp.moeller.net/DOCUMENTATION/AWA_INSTRUCTIONS/IL008006ZU2014_02.pdf">ftp://ftp.moeller.net/DOCUMENTATION/AWA_INSTRUCTIONS/IL008006ZU2014_02.pdf</a>
Technical overview cam switch, switch-disconnector	<a href="http://de.ecat.moeller.net/flip-cat/?edition=HPLTEv1&amp;startpage=4.2">http://de.ecat.moeller.net/flip-cat/?edition=HPLTEv1&amp;startpage=4.2</a>
System overview cam switch T	<a href="http://de.ecat.moeller.net/flip-cat/?edition=HPLTEv1&amp;startpage=4.4">http://de.ecat.moeller.net/flip-cat/?edition=HPLTEv1&amp;startpage=4.4</a>
System overview switch-disconnector P	<a href="http://de.ecat.moeller.net/flip-cat/?edition=HPLTEv1&amp;startpage=4.6">http://de.ecat.moeller.net/flip-cat/?edition=HPLTEv1&amp;startpage=4.6</a>
Key to part numbers Cam switch	<a href="http://de.ecat.moeller.net/flip-cat/?edition=HPLTEv1&amp;startpage=4.8">http://de.ecat.moeller.net/flip-cat/?edition=HPLTEv1&amp;startpage=4.8</a>
Key to part numbers Switch-disconnector	<a href="http://de.ecat.moeller.net/flip-cat/?edition=HPLTEv1&amp;startpage=4.8">http://de.ecat.moeller.net/flip-cat/?edition=HPLTEv1&amp;startpage=4.8</a>
Switches for ATEX Zone 22	<a href="http://www.coopercrouse-hinds.eu/en/products/10-ex-safety-and-main-current-switches.html">http://www.coopercrouse-hinds.eu/en/products/10-ex-safety-and-main-current-switches.html</a>

## X-ON Electronics

Largest Supplier of Electrical and Electronic Components

*Click to view similar products for [eaton](#) manufacturer:*

Other Similar products are found below :

[BK-MDL-3-R](#) [BK1-S506-500-R](#) [BK1-S506-6-3-R](#) [BK1-S506-2-R](#) [MPI4040R4-1R5-R](#) [TDC600-10A](#) [89096-015](#) [8946K153](#) [8961K155](#)  
[M22-DL-W-X0](#) [M22-D-R-GB0/K11](#) [M22-L-R/R](#) [M22S-ST-GB12](#) [630NHG3B](#) [63ET](#) [6422](#) [6580](#) [CTX20-16-52LP-R](#) [CWL530FI](#)  
[CXM/CO/GP/R/BB](#) [6HD36](#) [714125](#) [MBO-2](#) [ESR5-NO-41-24VAC-DC](#) [7314K36](#) [7321K2](#) [F02A-1-1/2A](#) [F02A-1-1/2AS](#) [F02A-1AS](#) [F02A-2AS](#) [F02A-3/4A](#) [F03A250V12A](#) [F03B125V4A](#) [MCR-4](#) [MDA-2-8/10-R](#) [MDA-30A](#) [MDA-V-1/16](#) [F60C500V10AS](#) [F60C500V15AS](#)  
[7563K84](#) [7634K36](#) [MDQ-3/16](#) [MDQ-7/10](#) [MDQ-V-1/10](#) [MDQ-V-1-1/4](#) [MDQ-V-1/16](#) [MDQ-V-1/2](#) [MDQ-V-1/4](#) [MDQ-V-3/16](#) [MDQ-V-3/8](#)