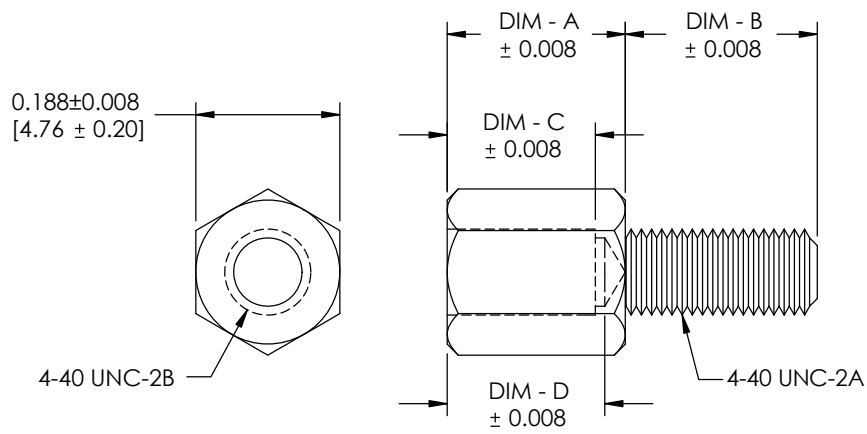
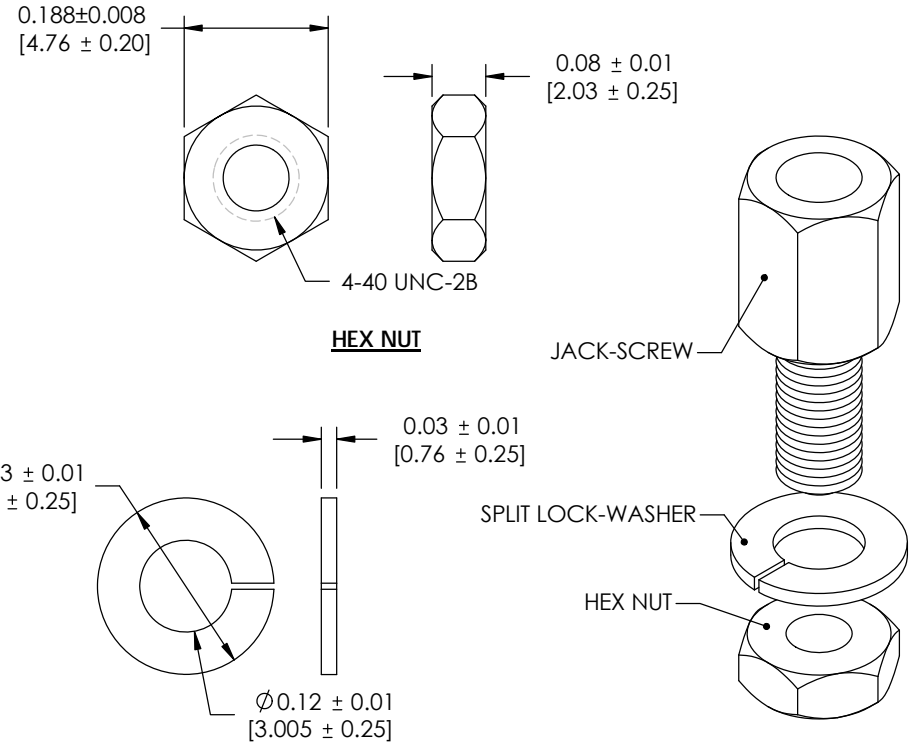


THE INFORMATION CONTAINED IN THIS DRAWING IS THE SOLE PROPERTY OF L-COM, INC. ANY REPRODUCTION IN PART OR WHOLE WITHOUT THE WRITTEN PERMISSION OF L-COM, INC. IS PROHIBITED.

REVISIONS			
REV	DESCRIPTION	DATE	APPROVED
F	ECN 4523: CHANGED HEX NUT MATERIAL FROM BRASS TO STEEL.	1/28/10	D.FRISIELLO
G	ECN 7890: UPDATED FORMAT, PACKAGING, ROHS	4/2/15	D_DESJARDIN

P/N	DIM - A	DIM - B	DIM - C	DIM - D
SDG250	.232 [5.89]	.250 [6.35]	.193 [4.90]	.205 [5.21]
SDG300	.232 [5.89]	.300 [7.62]	.193 [4.90]	.205 [5.21]
SDG400	.232 [5.89]	.400 [10.16]	.193 [4.90]	.205 [5.21]
SDG400S	.197 [5.00]	.400 [10.16]	.154 [3.91]	.166 [4.22]
SDG400XS	.160 [4.06]	.400 [10.16]	.094 [2.39]	.128 [3.25]
SDG450XS	.160 [4.06]	.450 [11.43]	.094 [2.39]	.128 [3.25]
SDG500	.232 [5.89]	.500 [12.70]	.193 [4.90]	.205 [5.21]



**NOTE:**  
**JACK-SCREW**

**MATERIAL:**  
JACKSCREW: BRASS  
HEX NUT: STEEL  
LOCK WASHER: STEEL

**FINISH:**  
JACKSCREW: NICKEL PLATED  
HEX NUT: NICKEL PLATED  
LOCK WASHER: NICKEL PLATED

**MISCELLANEOUS:**  
PACKAGING: SEAL 50 JACK-SCREWS, 50 LOCK-WASHERS, AND 50 HEX NUTS IN ACCORDANCE WITH L-COM SPECIFICATION PS-0031.

**REGULATORY COMPLIANCE:**  
CE2011/65/EU (RoHS DIRECTIVE)

UNLESS OTHERWISE SPECIFIED, DIMENSIONS ARE IN INCHES [mm] OVERALL CABLE LENGTH TOLERANCE: ≤12 [305] = +1 [25] / -0 >12 [305] ≤60 [1524] = +2 [51] / -0 >60 [1524] ≤120 [3048] = +4 [102] / -0 >120 [3048] ≤300 [7620] = +6 [152] / -0 >300 [7620] = +5% / -0%	APPROVALS	DATE		45 BEECHWOOD DRIVE NORTH ANDOVER, MA 01845
	DRAWN BY B.MAZEJKA	02/12/2004		
ALL OTHER DIMENSIONAL TOLERANCES: .X = ± .2 [5.08] .XX = ± .02 [51] .XXX = ± .005 [1.27]	CHECKED BY D.PARHAM	02/18/2004	CATEGORY D-SUBMINIATURE	
	APPROVED BY R.CARRICK	02/18/2004	PRODUCT DESCRIPTION SDG 4-40 HEX JACK-SCREW KIT	
PROJECTION 	CONFIGURATION DETAILS OF UNDIMENSIONED FEATURES MAY VARY		SIZE <b>A</b>	FSCM NO. <b>43321</b>
	COLOR VARIATIONS MAY OCCUR		DWG. NO. SDG250	REV. <b>G</b>
			SCALE: NONE	CAD FILE: SDG250.SLDDRW
			SHEET 1 OF 1	

## X-ON Electronics

Largest Supplier of Electrical and Electronic Components

*Click to view similar products for [l-com](#) manufacturer:*

Other Similar products are found below :

[FOA-550A](#) [UMC-201](#) [CSMN50MF-5](#) [CSMNB15MF-15](#) [TRD815RA2BL-5](#) [CA3A-90DA-1M](#) [CTLF3VGAMM-20](#) [HDCAMM-3](#)  
[U3A00007-05M](#) [U3A00014-03M](#) [CSMT15MF-10](#) [CSMT15MM-15](#) [CSMT15MM-25](#) [CSPL15MF-50](#) [CSPL25MF-25](#) [CSPL9MF-10](#)  
[CSPL9MF-5](#) [CSPL25MF-5](#) [CSPL25MF-2.5](#) [AL-IPEPS](#) [NB201611-10F-1](#) [TDG1026KC5-MNL](#) [NB121005-10F](#) [TRD855SRA6DBL-10M](#)  
[TRD855SRA7DBL-1M](#) [TRD855SRA7DBL-10M](#) [U2A00017-05M](#) [PR175SCDLCQ24](#) [TRG508-T4T-3M](#) [TRA5261-15F](#) [TRA5261S-1F](#)  
[TRA6261-1F](#) [USBBFT](#) [DGB25M](#) [HG2403RD-RSF](#) [CASATAL-18](#) [CSM25MM-10](#) [CSM37MF-10](#) [CSUSB-100](#) [CA3A-90RA-1M](#) [CA3A-](#)  
[90MICB-1M](#) [U2A00003-3M](#) [U3A00003-05M](#) [U2A00008-12I](#) [U3A00007-075M](#) [U3A00007-1M](#) [HGV-903U](#) [CSMT15MF-5](#)  
[CSMT15MM-50](#) [CSPL15MF-25](#)