

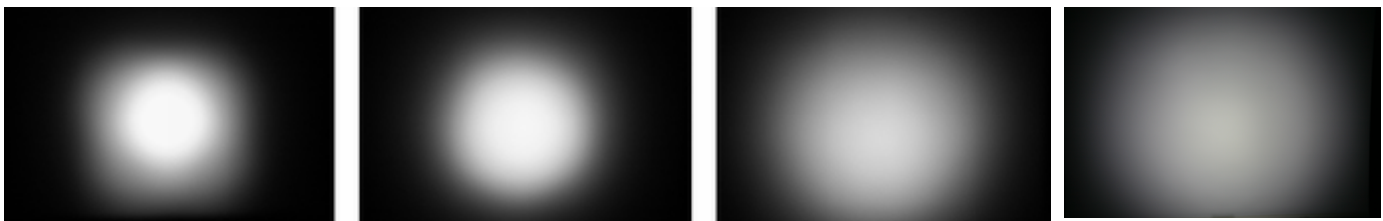
## Eva-MC lenses for Cree's MC-E series of LEDs



- Specially designed for Cree's MC-E series of LEDs.
- Special care taken to make a uniform white or warm white illumination. Lenses work well with other colors, too.
- Lens material optical grade PMMA. Allows use of high current and temperature conditions
- Best available optical efficiency, up to 90%.

### LENS TYPES

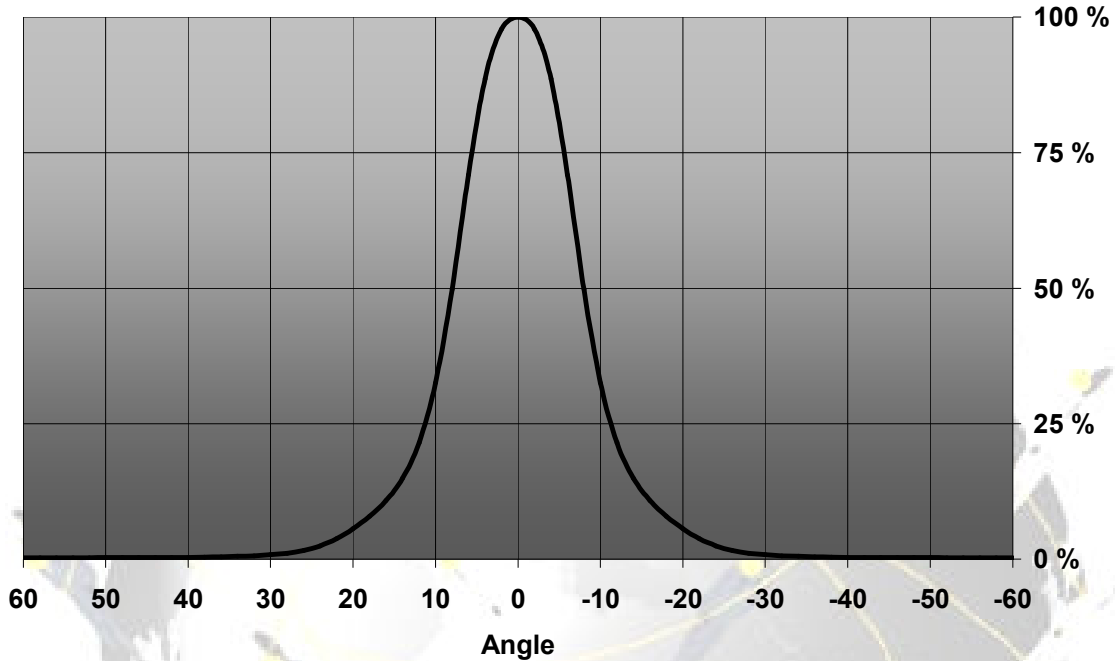
NAME	ORDERING CODE	FWHM Angle
Eva-MC Diffuser	C10684_Eva-MC-D	±8°
Eva-MC Medium	C10685_Eva-MC-M	±11°
Eva-MC Wide	C10686_Eva-MC-W	±18.2°
Eva-MC WW	C10909_Eva-MC-WW	±23.5°



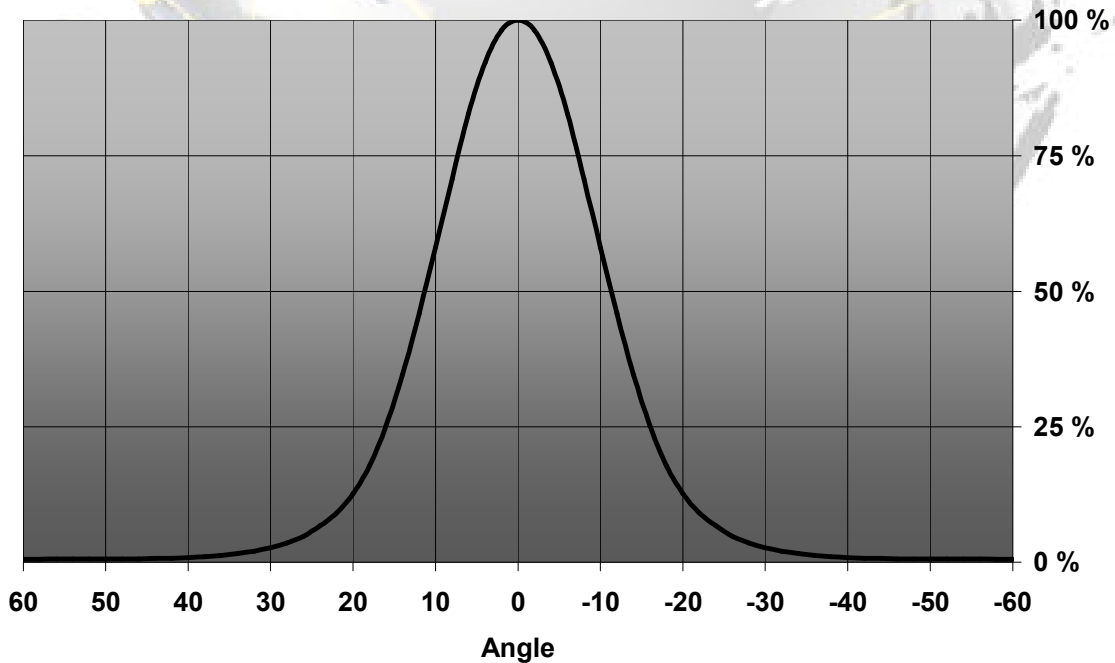
© Ledil Oy – PRELIMINARY - Subject to change without prior notice

## MEASUREMENT DATA

Relative Intensity of EVA-D

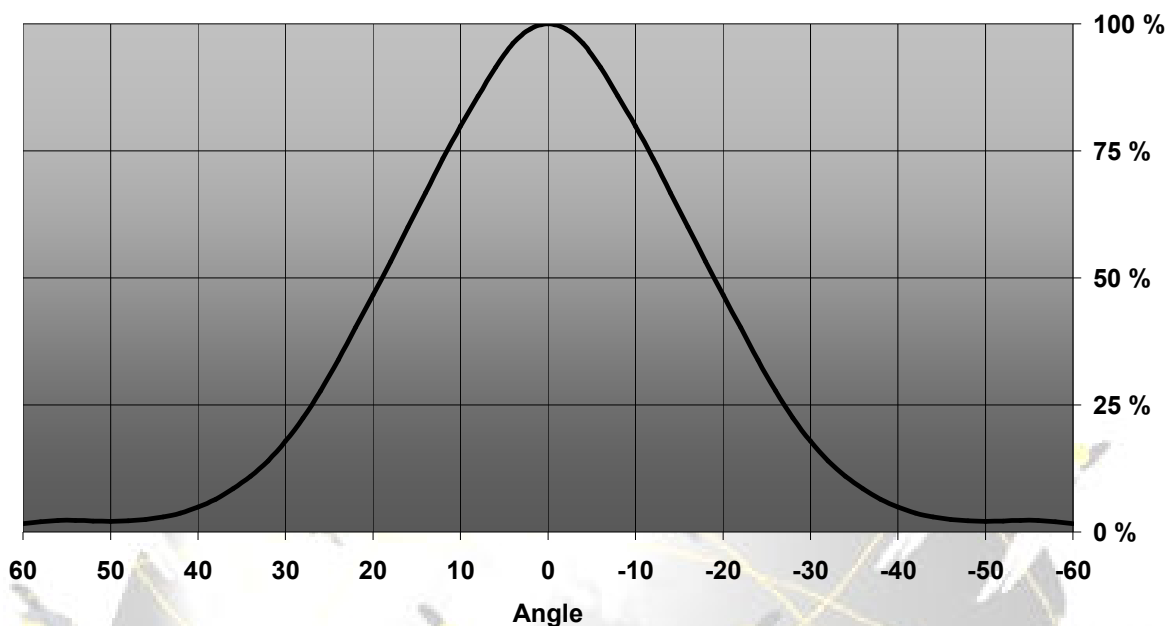


Relative Intensity of EVA-M

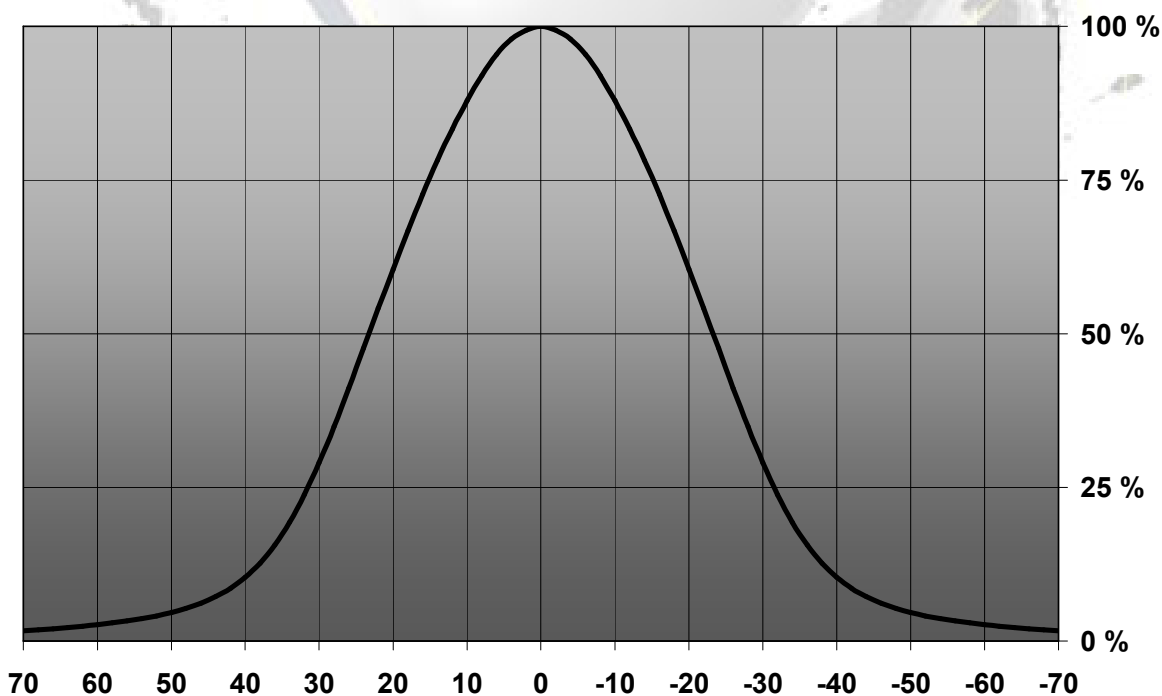


© Ledil Oy – PRELIMINARY - Subject to change without prior notice

Relative Intensity of EVA-W

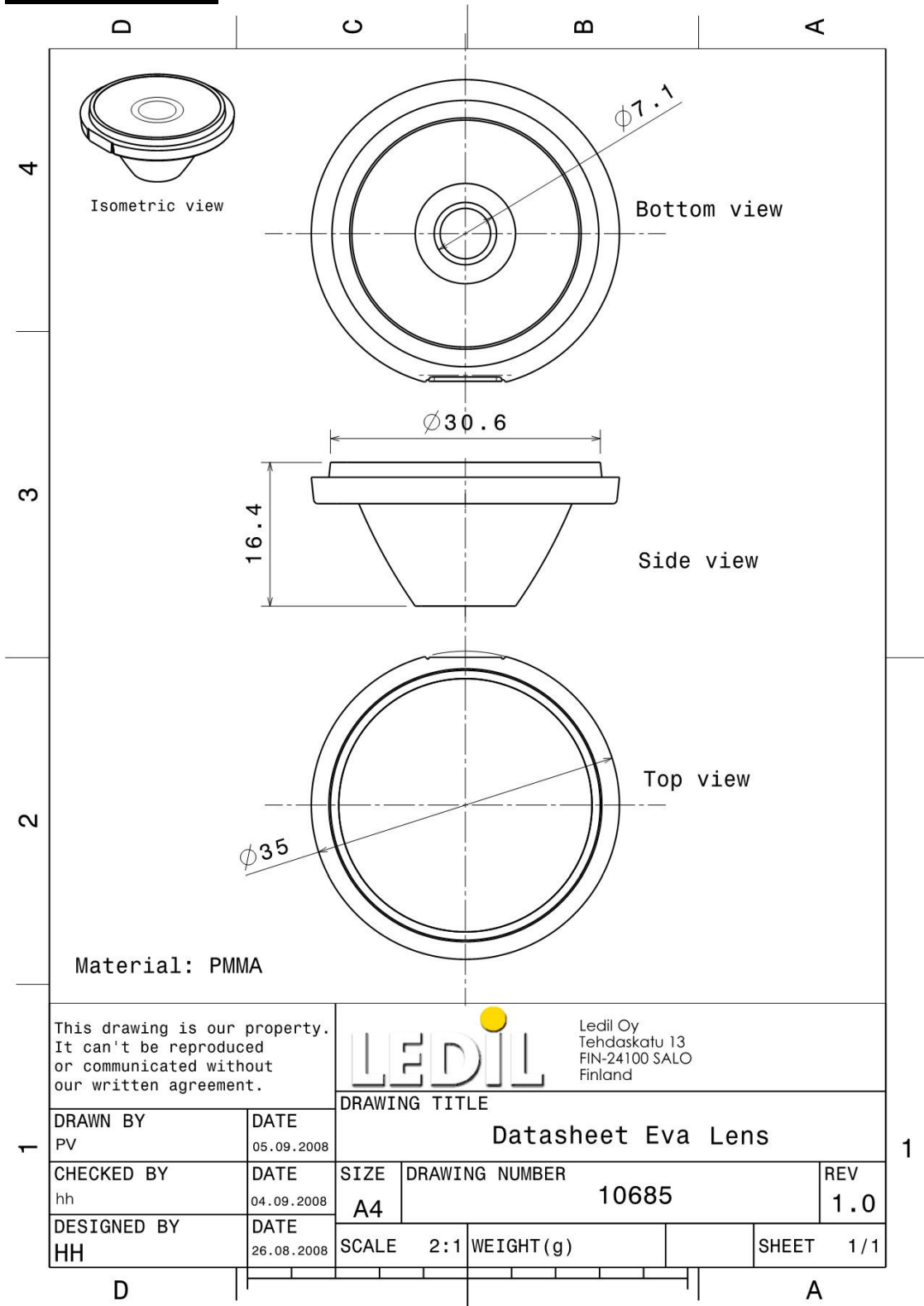


Relative Intensity of C10909\_Eva-MC-WW



© Ledil Oy – PRELIMINARY - Subject to change without prior notice

## DRAWINGS



© Ledil Oy - PRELIMINARY - Subject to change without prior notice

## X-ON Electronics

Largest Supplier of Electrical and Electronic Components

*Click to view similar products for [LED Lenses](#) category:*

*Click to view products by [Ledil](#) manufacturer:*

Other Similar products are found below :

[131A-303G](#) [131A-304R](#) [139A-403R](#) [139A-403A](#) [160A-604R](#) [160A-604Y](#) [SMB\\_200\\_GTP](#) [SMQ\\_250\\_ATP](#) [SMS\\_172\\_RTP](#) [SQB\\_400\\_ATP](#)  
[SSN-LX13049L-CD](#) [SSN-LX18754A](#) [SSN-LX18754C](#) [2817](#) [CLR\\_301\\_YTP](#) [CMC\\_313\\_ATP](#) [3121](#) [3124](#) [3125](#) [39-30-W03](#) [4344](#) [4623](#)  
[4745](#) [4747](#) [3111](#) [3114](#) [3115](#) [3121](#) [3122](#) [3124](#) [3125](#) [4327](#) [4743](#) [4745](#) [4752](#) [4757](#) [SSN-LX690L1-C](#) [SQL\\_360\\_YTP](#) [SMQ\\_250\\_BTP](#) [3114](#)  
[3113](#) [CMS444CTP](#) [1125-227-000](#) [4317](#) [4347](#) [4741](#) [4316](#) [4343](#) [4345](#) [4345](#)