

# Cindy series



**Ordering number** C10982  
**Description** C10982-Cindy-L230-S

Family	Cindy	FWHM	35 degrees
Type	Reflector	Efficiency	-
LED	CL-L230	cd/lm	-
Color	Metal	Gerber File	Available
Diameter	22.6 mm		
Height	12.6 mm		
Style	Hexagonal		
Optic Material	-		
Holder Material	-		
Fastening	-		
Status	Ready		



**Ordering number** C10983  
**Description** C10983-Cindy-L230-M

Family	Cindy	FWHM	51 degrees
Type	Reflector	Efficiency	-
LED	CL-L230	cd/lm	-
Color	Metal	Gerber File	Available
Diameter	22.6 mm		
Height	12.6 mm		
Style	Hexagonal		
Optic Material	-		
Holder Material	-		
Fastening	-		
Status	Ready		



**Ordering number** C10984  
**Description** C10984-Cindy-L230-W

Family	Cindy	FWHM	61 degrees
Type	Reflector	Efficiency	-
LED	CL-L230	cd/lm	-
Color	Metal	Gerber File	Available
Diameter	22.6 mm		
Height	12.6 mm		
Style	Hexagonal		
Optic Material	-		
Holder Material	-		
Fastening	-		
Status	Ready		



## Cindy series

Specially designed for CL-L230 series of LEDs.

Reflector material optical grade metal and protective lacquer coated PC (120 degrees of Celcius/24 degrees of Fahrenheit). Allows use of high current and temperature conditions.

D C B A

4

3

2

1

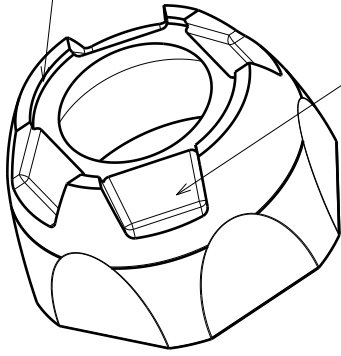
4

3

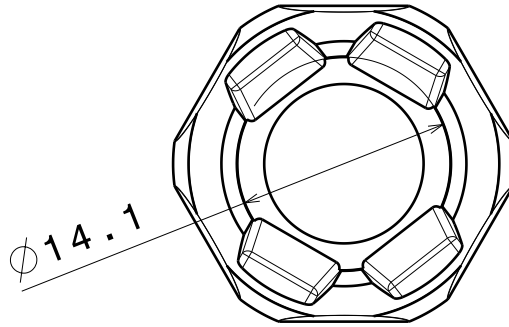
2

1

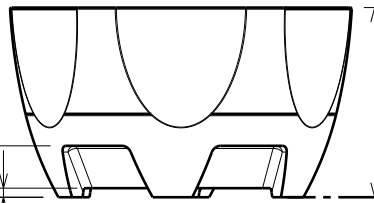
Guide profile for centering to LED



Recesses for solder pads/ screws



Bottom view

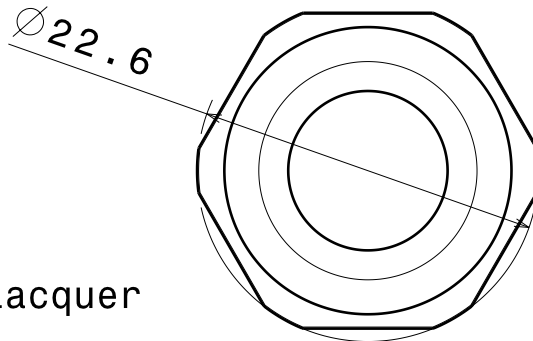


Front view

Top of PCB

3.4  
0.6

12.5



Top view

Material: PC  
Coating: metal+clear lacquer

Versions;  
C10982 Spot  
C10983 Medium  
C10984 Wide

This drawing is our property.  
It can't be reproduced  
or communicated without  
our written agreement.



Ledil Oy  
Tehdaskatu 13  
FIN-24100 SALO  
Finland

DRAWING TITLE

Datasheet Cindy L230 Reflector

DRAWN BY pv	DATE 17.03.2010
----------------	--------------------

CHECKED BY tk	DATE 24.02.2010
------------------	--------------------

DESIGNED BY jj	DATE 07.08.2008
-------------------	--------------------

SIZE A4	DRAWING NUMBER 10982, 10983, 10984	REV 2
------------	---------------------------------------	----------

SCALE 2:1	WEIGHT (g)	SHEET 1/1
--------------	------------	--------------

D

A

D C B A

4

3

2

1

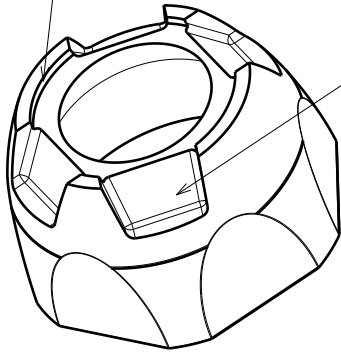
4

3

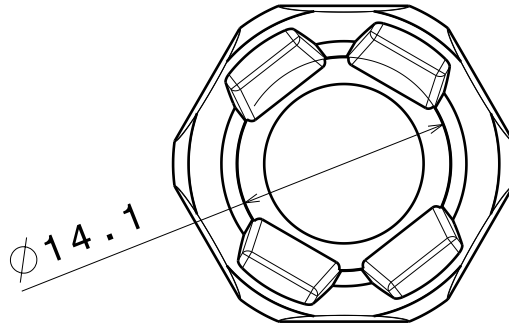
2

1

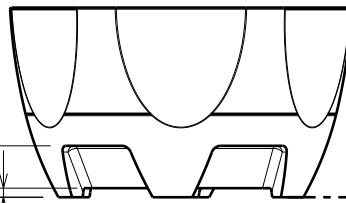
Guide profile for centering to LED



Recesses for solder pads/ screws



Bottom view

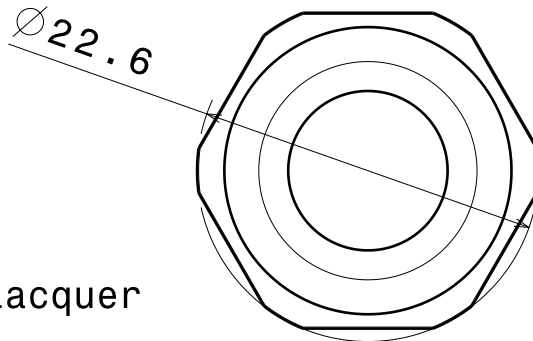


Front view

Top of PCB

3.4  
0.6

12.5



Top view

Material: PC  
Coating: metal+clear lacquer

Versions;  
C10982 Spot  
C10983 Medium  
C10984 Wide

This drawing is our property.  
It can't be reproduced  
or communicated without  
our written agreement.



Ledil Oy  
Tehdaskatu 13  
FIN-24100 SALO  
Finland

DRAWING TITLE

Datasheet Cindy L230 Reflector

DRAWN BY pv	DATE 17.03.2010
----------------	--------------------

CHECKED BY tk	DATE 24.02.2010
------------------	--------------------

DESIGNED BY jj	DATE 07.08.2008
-------------------	--------------------

SIZE A4	DRAWING NUMBER 10982, 10983, 10984	REV 2
------------	---------------------------------------	----------

SCALE 2:1	WEIGHT (g)	SHEET 1/1
--------------	------------	--------------

D

A

D C B A

4

3

2

1

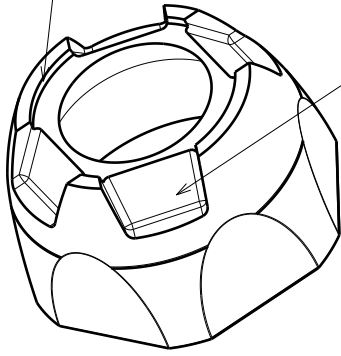
4

3

2

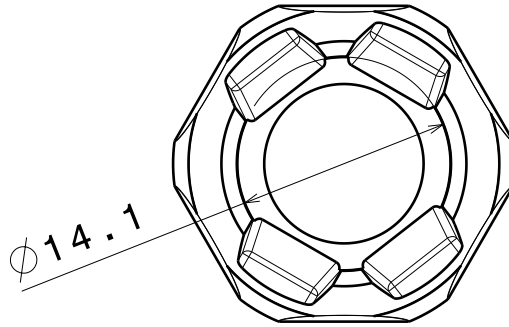
1

Guide profile for centering to LED



Recesses for solder pads/ screws

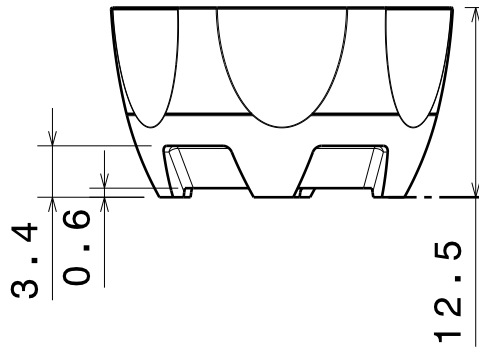
Bottom view



Ø14.1

Front view

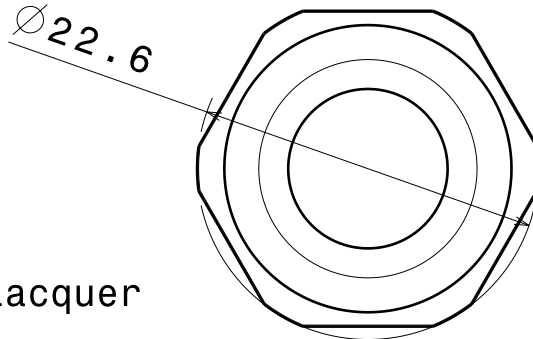
Top of PCB



3.4  
0.6

12.5

Top view



Ø22.6

Material: PC  
Coating: metal+clear lacquer

Versions;  
C10982 Spot  
C10983 Medium  
C10984 Wide

This drawing is our property.  
It can't be reproduced  
or communicated without  
our written agreement.



Ledil Oy  
Tehdaskatu 13  
FIN-24100 SALO  
Finland

DRAWING TITLE

Datasheet Cindy L230 Reflector

DRAWN BY pv	DATE 17.03.2010
----------------	--------------------

CHECKED BY tk	DATE 24.02.2010
------------------	--------------------

DESIGNED BY jj	DATE 07.08.2008
-------------------	--------------------

SIZE A4	DRAWING NUMBER 10982, 10983, 10984	REV 2
------------	---------------------------------------	----------

SCALE 2:1	WEIGHT (g)	SHEET 1/1
--------------	------------	--------------

D

A

D

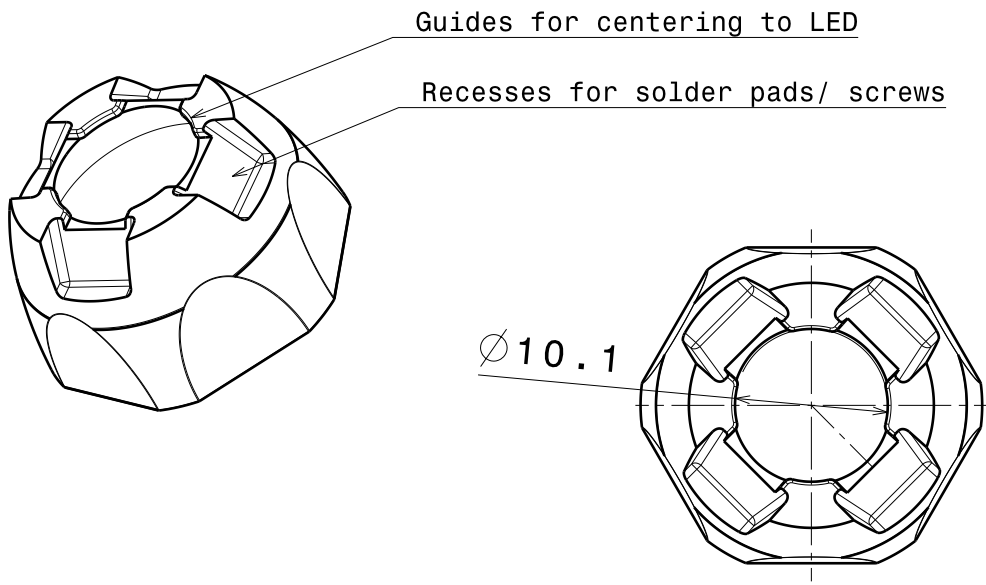
C

B

A

4

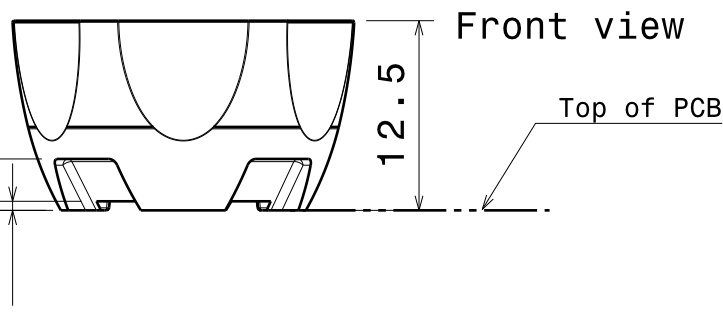
4



Bottom view

3

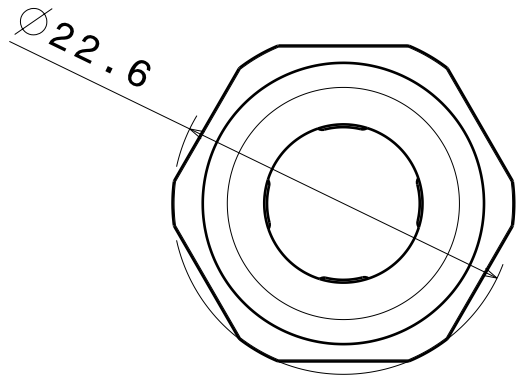
3



Front view

2

2



Top view

Material: PC  
 Coating: metal+clear lacquer

Versions;  
 C10859 Spot  
 C10980 Medium  
 C10981 Wide

This drawing is our property.  
 It can't be reproduced  
 or communicated without  
 our written agreement.



Ledil Oy  
 Tehdaskatu 13  
 FIN-24100 SALO  
 Finland

DRAWING TITLE

Datasheet Cindy L251 Reflector

DRAWN BY  
pv

DATE  
17.03.2010

CHECKED BY  
tk

DATE  
24.02.2010

SIZE  
A4

DRAWING NUMBER  
10859, 10980, 10981

REV  
2

DESIGNED BY  
jj

DATE  
07.08.2008

SCALE 2:1

WEIGHT (g)

SHEET 1/1

D

A

1

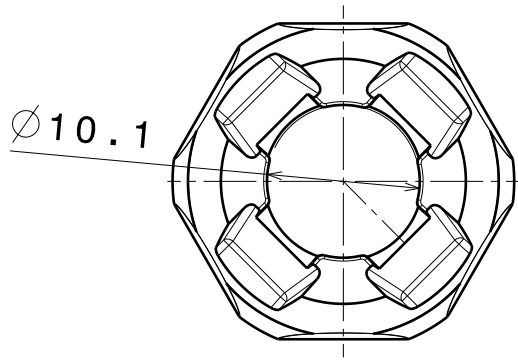
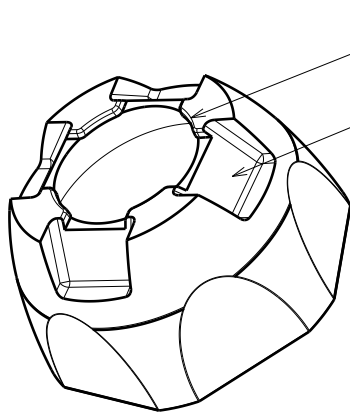
1

D

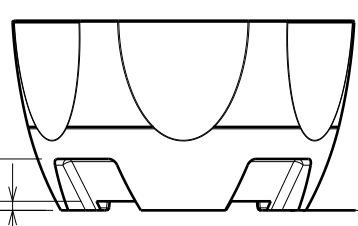
C

B

A

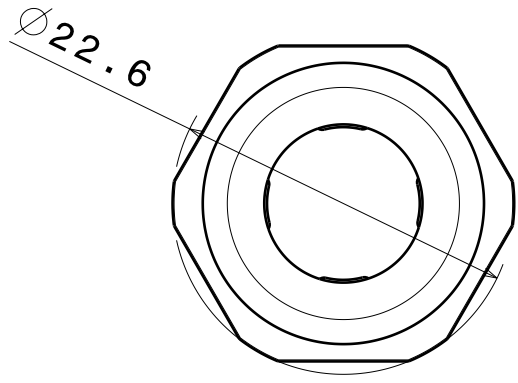


Bottom view



Front view

3.4  
0.6



Top view

Material: PC  
Coating: metal+clear lacquer

Versions;  
C10859 Spot  
C10980 Medium  
C10981 Wide

This drawing is our property.  
It can't be reproduced  
or communicated without  
our written agreement.



Ledil Oy  
Tehdaskatu 13  
FIN-24100 SALO  
Finland

DRAWING TITLE

Datasheet Cindy L251 Reflector

DRAWN BY  
pv  
DATE  
17.03.2010

CHECKED BY  
tk  
DATE  
24.02.2010

DESIGNED BY  
jj  
DATE  
07.08.2008

SIZE A4  
DRAWING NUMBER 10859, 10980, 10981  
REV 2

SCALE 2:1  
WEIGHT (g)  
SHEET 1/1

D

A

4

4

3

3

2

2

1

1

D

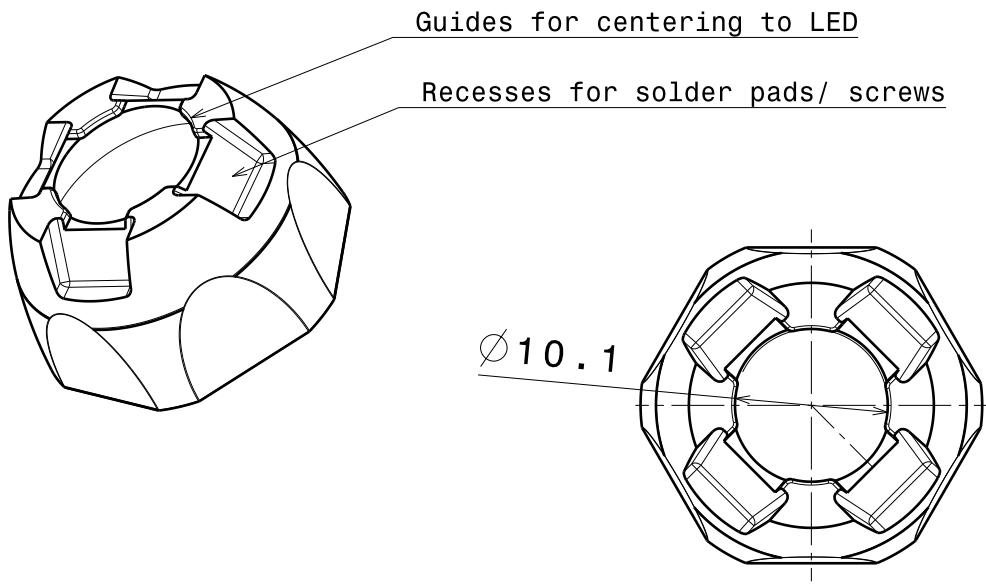
C

B

A

4

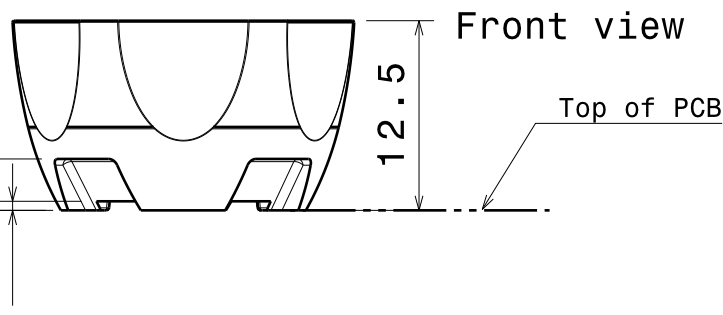
4



Bottom view

3

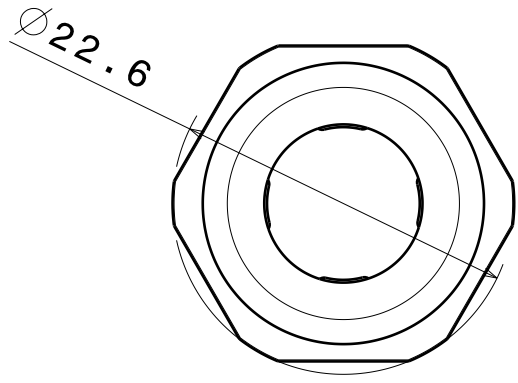
3



Front view

2

2



Top view

Material: PC  
 Coating: metal+clear lacquer

Versions;  
 C10859 Spot  
 C10980 Medium  
 C10981 Wide

This drawing is our property.  
 It can't be reproduced  
 or communicated without  
 our written agreement.



Ledil Oy  
 Tehdaskatu 13  
 FIN-24100 SALO  
 Finland

DRAWING TITLE

Datasheet Cindy L251 Reflector

DRAWN BY  
pv

DATE  
17.03.2010

CHECKED BY  
tk

DATE  
24.02.2010

SIZE  
A4

DRAWING NUMBER  
10859, 10980, 10981

REV  
2

DESIGNED BY  
jj

DATE  
07.08.2008

SCALE 2:1

WEIGHT (g)

SHEET 1/1

D

A

1

1



D C B A

4

3

2

1

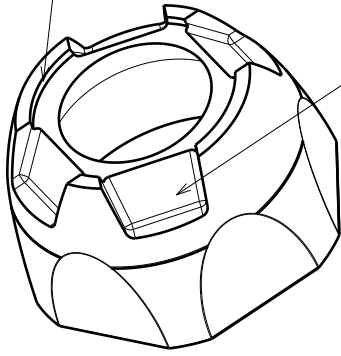
4

3

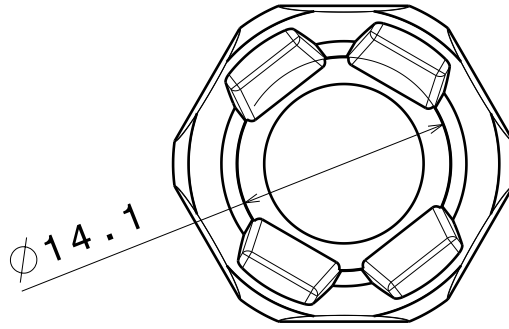
2

1

Guide profile for centering to LED

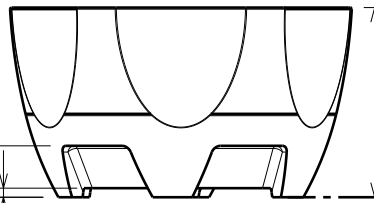


Recesses for solder pads/ screws



Bottom view

Ø14.1



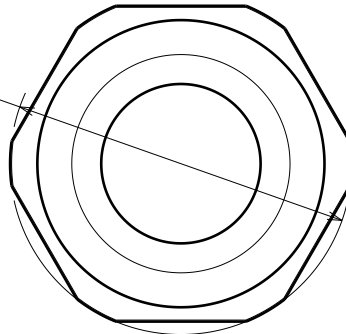
Front view

Top of PCB

3.4  
0.6

12.5

Ø22.6



Top view

Material: PC  
Coating: metal+clear lacquer

Versions;  
C10982 Spot  
C10983 Medium  
C10984 Wide

This drawing is our property.  
It can't be reproduced  
or communicated without  
our written agreement.



Ledil Oy  
Tehdaskatu 13  
FIN-24100 SALO  
Finland

DRAWING TITLE

Datasheet Cindy L230 Reflector

DRAWN BY pv	DATE 17.03.2010
----------------	--------------------

CHECKED BY tk	DATE 24.02.2010
------------------	--------------------

DESIGNED BY jj	DATE 07.08.2008
-------------------	--------------------

SIZE A4	DRAWING NUMBER 10982, 10983, 10984	REV 2
------------	---------------------------------------	----------

SCALE 2:1	WEIGHT (g)	SHEET 1/1
--------------	------------	--------------

D

A

## X-ON Electronics

Largest Supplier of Electrical and Electronic Components

*Click to view similar products for [LED Lenses](#) category:*

*Click to view products by [Ledil](#) manufacturer:*

Other Similar products are found below :

[131A-303G](#) [131A-304R](#) [139A-403R](#) [139A-403A](#) [160A-604R](#) [160A-604Y](#) [SMB\\_200\\_GTP](#) [SMQ\\_250\\_ATP](#) [SMS\\_172\\_RTP](#) [SQB\\_400\\_ATP](#)  
[SSN-LX13049L-CD](#) [SSN-LX18754A](#) [SSN-LX18754C](#) [2817](#) [CLR\\_301\\_YTP](#) [CMC\\_313\\_ATP](#) [3121](#) [3124](#) [3125](#) [39-30-W03](#) [4344](#) [4623](#)  
[4745](#) [4747](#) [3111](#) [3114](#) [3115](#) [3121](#) [3122](#) [3124](#) [3125](#) [4327](#) [4743](#) [4745](#) [4752](#) [4757](#) [SSN-LX690L1-C](#) [SQL\\_360\\_YTP](#) [SMQ\\_250\\_BTP](#) [3114](#)  
[3113](#) [CMS444CTP](#) [1125-227-000](#) [4317](#) [4347](#) [4741](#) [4316](#) [4343](#) [4345](#) [4345](#)