

CONNECTOR DESIGNATOR:

H MIL-DTL-38999 Series III and IV
EN3645

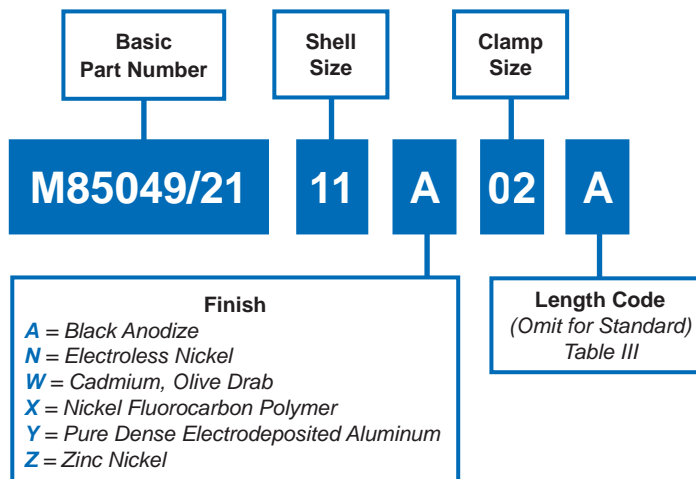


TABLE III: Length Code

| Code | Length ± .032 (0.8) |
|----------|------------------------|
| Standard | 1.50 (38.1) |
| A | 2.50 (63.5) |
| B | 3.50 (88.9) |
| C | 4.50 (114.3) |

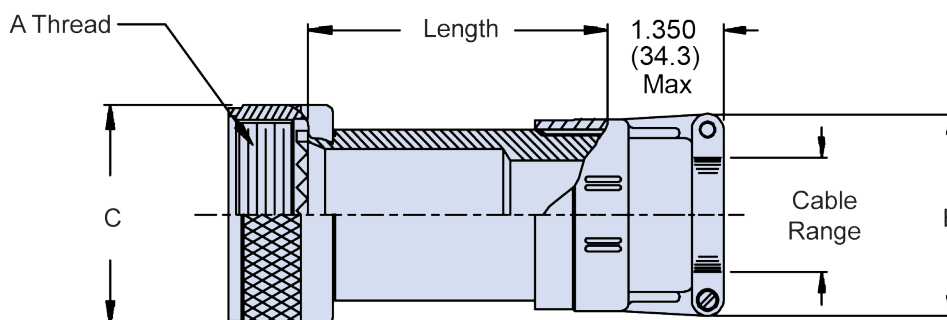


TABLE I: Shell Size, Clamp Size and Dimensions

| Shell Size | Clamp Size* | | A Thread Class 6H | C Dia Max |
|------------|-------------|-----|-------------------|--------------|
| | Min | Max | | |
| 9 | 01 | 02 | M12 X 1 - 6H | .750 (19.1) |
| 11 | 01 | 03 | M15 X 1 - 6H | .850 (21.6) |
| 13 | 02 | 04 | M18 X 1 - 6H | 1.000 (25.4) |
| 15 | 02 | 05 | M22 X 1 - 6H | 1.100 (27.9) |
| 17 | 02 | 06 | M25 X 1 - 6H | 1.250 (31.8) |
| 19 | 03 | 07 | M28 X 1 - 6H | 1.400 (35.6) |
| 21 | 03 | 08 | M31 X 1 - 6H | 1.500 (38.1) |
| 23 | 03 | 09 | M34 X 1 - 6H | 1.650 (41.9) |
| 25 | 04 | 10 | M37 X 1 - 6H | 1.750 (44.5) |

*Clamp Size from Table IV, AS85049/21 Specifications.

TABLE II: Clamp Size, Cable Range and Dimensions

| Clamp Size | Cable Range | | E Max |
|------------|--------------|--------------|--------------|
| | Min | Max | |
| 01 | .062 (1.6) | .125 (3.2) | .800 (20.3) |
| 02 | .125 (3.2) | .250 (6.4) | 1.000 (25.4) |
| 03 | .250 (6.4) | .375 (9.5) | 1.100 (27.9) |
| 04 | .312 (7.9) | .500 (12.7) | 1.200 (30.5) |
| 05 | .437 (11.1) | .625 (15.9) | 1.250 (31.8) |
| 06 | .562 (14.3) | .750 (19.1) | 1.400 (35.6) |
| 07 | .687 (17.4) | .875 (22.2) | 1.500 (38.1) |
| 08 | .812 (20.6) | 1.000 (25.4) | 1.650 (41.9) |
| 09 | .937 (23.8) | 1.125 (28.6) | 1.750 (44.5) |
| 10 | 1.062 (27.0) | 1.250 (31.8) | 1.900 (48.3) |

APPLICATION NOTES

- For complete dimensions see the applicable Military Specification.
- Metric dimensions (mm) are in parentheses.
- Cable Range is defined as the accommodation range for the wire bundle or cable. Dimensions shown are not intended for inspection criteria.

Dimensions in inches (millimeters) and are subject to change without notice.

X-ON Electronics

Largest Supplier of Electrical and Electronic Components

Click to view similar products for [Circular MIL Spec Backshells](#) category:

Click to view products by [Glenair](#) manufacturer:

Other Similar products are found below :

[5M2919-3DW](#) [5M2920-3CW](#) [5M2953-1HW](#) [60-036152-022](#) [610HS012M15](#) [M28840/504WA](#) [M28840/805WB](#) [M28840/809WA](#)
[M28840/815WA](#) [M28840/816WA](#) [627AS017M14](#) [62GB5851608S](#) [655HS002NF11](#) [CW3703-000](#) [CW3899-000](#) [M85049/10-134S](#)
[M85049/10-17S](#) [M85049/10-33S](#) [M85049/10-94W](#) [M85049/11-09W](#) [M85049/11-28N](#) [M85049/11-37N](#) [M85049/11-53N](#) [M85049/11-63N](#)
[M85049/118-20W](#) [M85049/124-23W](#) [M85049/124S09W](#) [M85049/126S23W](#) [M850491712W02](#) [M85049/1720N04B](#) [M85049/1817N06](#)
[M850491819W03](#) [M85049/1821W05C](#) [M85049/1825W06C](#) [M85049/1919N05](#) [M85049/1919W04](#) [M850491919W07](#) [M85049/23-59W](#)
[M85049/23-74W](#) [M8504924-5W](#) [M85049/24-71N](#) [M85049/25-47N](#) [M85049/25-94W](#) [M85049/27S12N](#) [M8504938-13S](#) [M85049/38-19S](#)
[M85049/39-11S](#) [M85049/39-17S](#) [M85049/39-9S](#) [M85049/3W4A2](#)