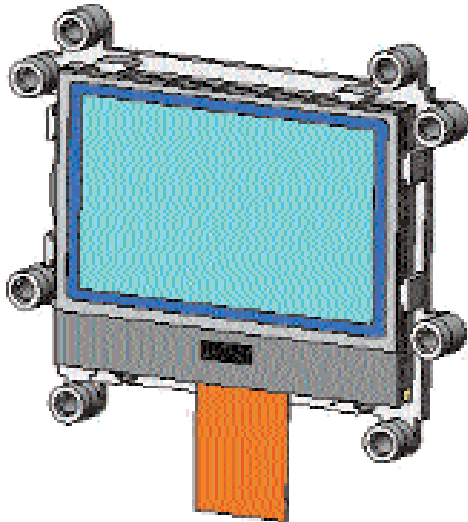


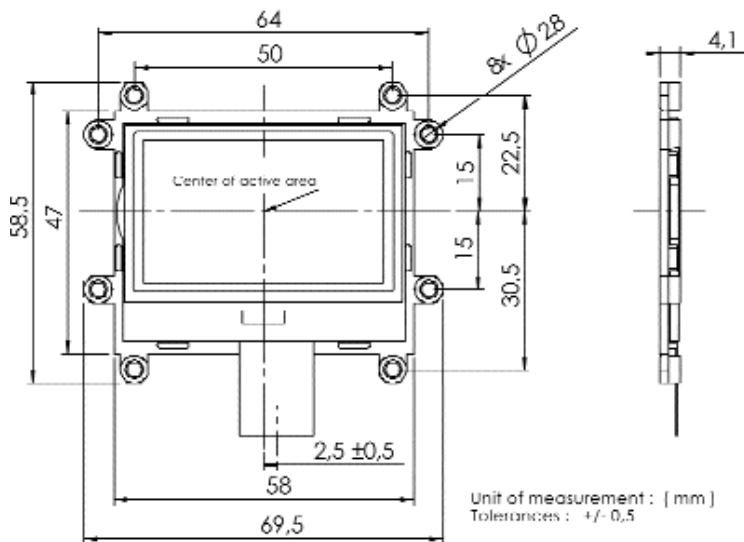
## Mounting Bezel for BTHQ 128064AVD-COG



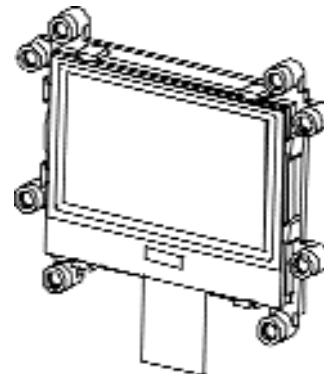
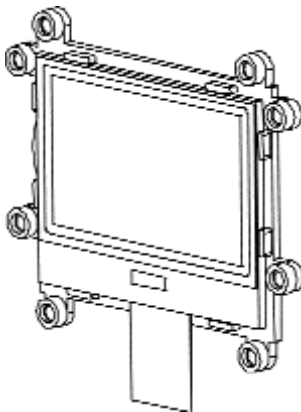
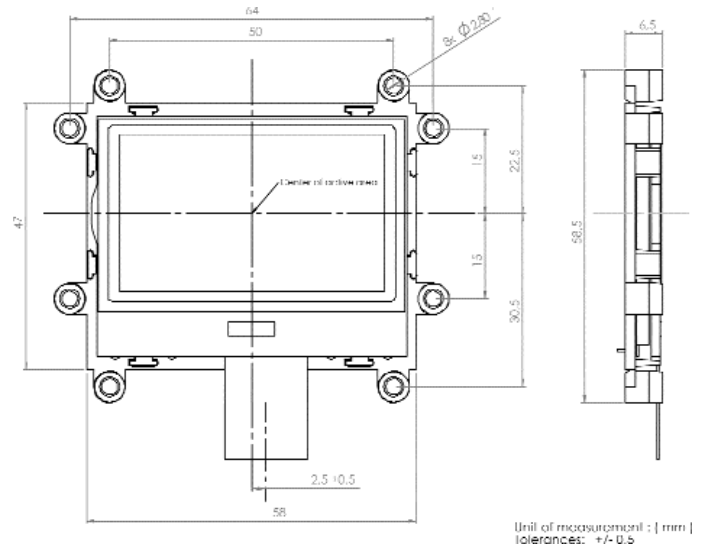
- Fast and easy to use
- Variable mounting possibilities due to break away mounting holes
- Material: Polycarbonate PC white (UL 94v0)

- Advantages of Chip on Glass design
- Simple mounting
- Reduces development time

Reflective Version (P/N BT21013)



LED Version (P/N BT21014)



## **X-ON Electronics**

Largest Supplier of Electrical and Electronic Components

*Click to view similar products for [batron](#) manufacturer:*

Other Similar products are found below :

[BTHQ42005VSS-FSTF-LED WHITE](#) [BT22008VSMNLEDRED](#) [BT96040AV2-COG-FSTF-12-I2C](#) [BTHQ21605V-COG-FSRE-I2C](#)