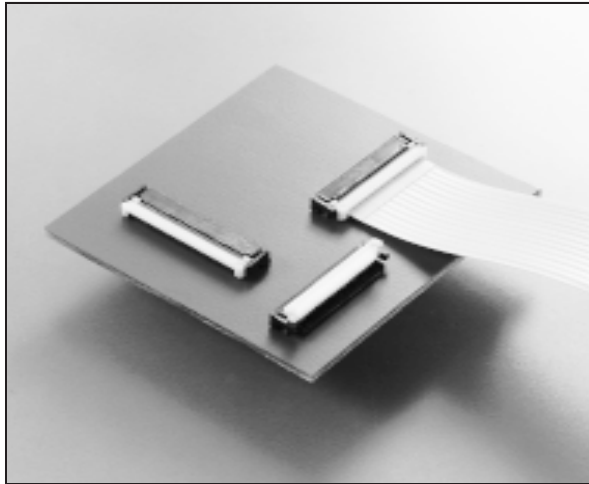


IL-FHR SERIES CONNECTORS

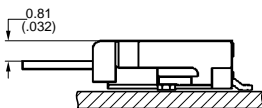
0.5mm (.020") Contact Spacing Connectors for FPC



FEATURES

- SMT configuration
- Low profile
- Rotating slider construction permits slider operation with one hand
- Applicable FPC 0.3mm (.012") center, 0.2mm (.008") thick with reinforcement
- Available in embossed tape for automatic mounting

Connector Profile (Ref.)



• • • • •

IL-FHR Series connectors are extremely high density, low profile connectors for PCB-to-FPC applications. The design utilizes a slider for easy, yet reliable, engagement of the flex cable to the contacts. They are ideally used in audio-visual, personal computers, personal digital assistants (PDA) and LCD displays.

GENERAL SPECIFICATIONS

Number of Contacts	8,10, 14, 15, 18, 20, 22, 26, 30, 32, 33, 36, 40, 45, 50
Contact Spacing	0.5mm (.020")
Applicable FPC	0.5mm (.020") Center 0.3mm (.012") Thick with reinforcement
Current Rating	0.5 Amps
Dielectric Withstanding Voltage	250 VAC r.m.s. (for one minute)
Insulation Resistance	100 megohms min.
Contact Resistance	20 milliohms max.
Operating Temperature	-40°C to +85°C

MATERIALS AND FINISHES

Description	Materials/Finishes
Base and Slide Insulator	Glass-filled PPS (UL94V-0)
Contact	Phosphor Bronze/Tin Plated Terminal Area: Tin plating
Hold-down	Phosphor Bronze/Tin Plated

ORDERING INFORMATION

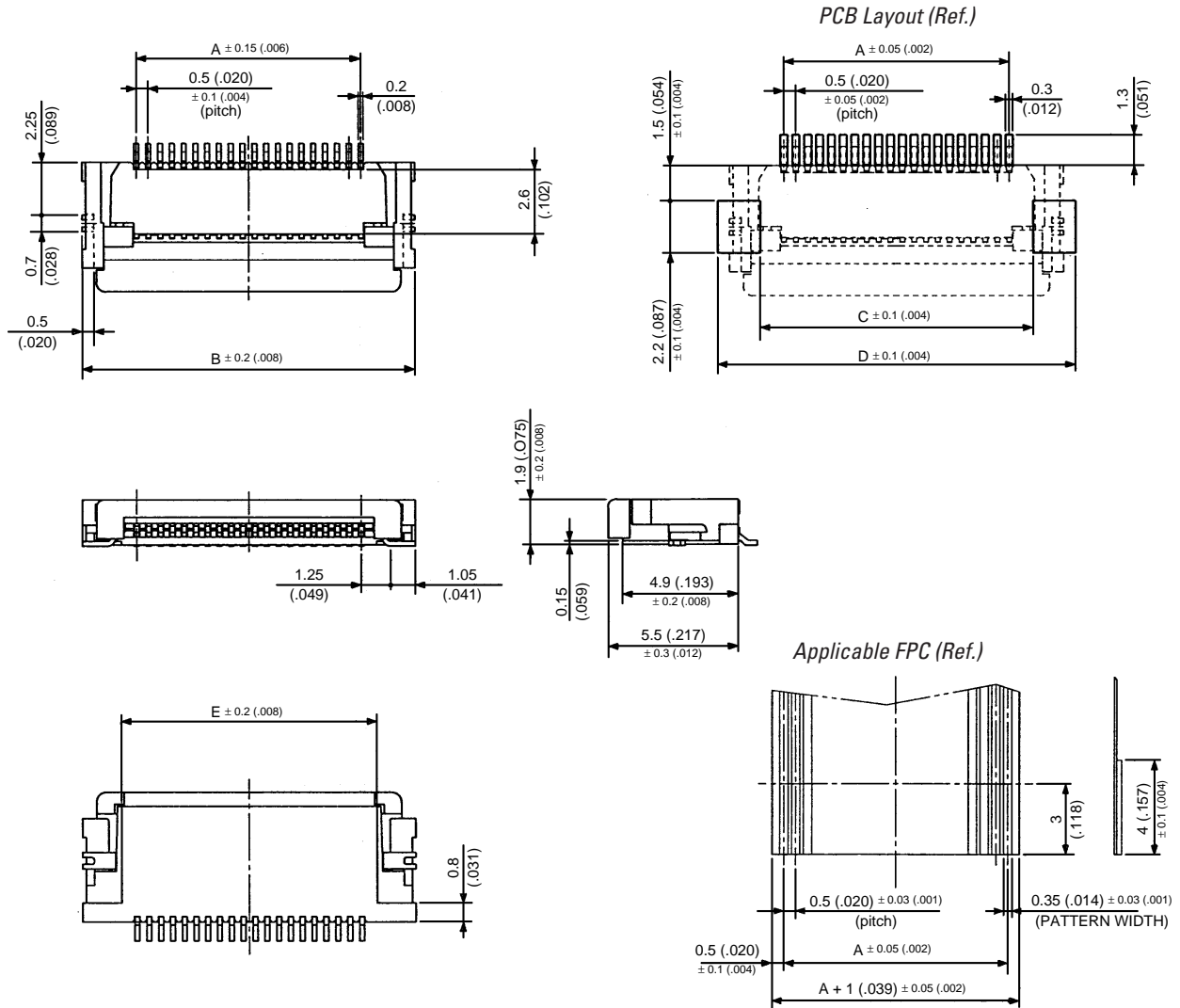
	IL-FHR	-	***	S	-	HF	-	E3000
Series								
No. of Contacts								
08 – 26								
F30 – F50								
Contact Type								
S – Socket								
Termination								
HF – Right Angle								
Embossed Tape								
E3000 – 3,000 Pieces/Reel								

Dimensions and specifications subject to change without notice.



IL-FHR SERIES CONNECTORS

0.5mm (.020") Contact Spacing Connectors for FPC



No. of Contacts	Part Number*	A	B	C	D	E
8	IL-FHR- 8S-HF	3.5 (.138)	8.1 (.319)	5.5 (.217)	9.1 (.358)	4.8 (.189)
10	IL-FHR-10S-HF	4.5 (.177)	9.1 (.358)	6.5 (.256)	10.1 (.398)	5.8 (.228)
14	IL-FHR-14S-HF	6.5 (.256)	11.1 (.437)	8.5 (.335)	12.1 (.476)	7.8 (.307)
15	IL-FHR-15S-HF	7 (.276)	11.6 (.457)	9 (.354)	12.6 (.496)	8.3 (.327)
18	IL-FHR-18S-HF	8.5 (.335)	13.1 (.516)	10.5 (.413)	14.1 (.555)	9.8 (.386)
20	IL-FHR-20S-HF	9.5 (.374)	14.1 (.555)	11.5 (.453)	15.1 (.594)	10.8 (.425)
22	IL-FHR-22S-HF	10.5 (.413)	15.1 (.594)	12.5 (.492)	16.1 (.634)	11.8 (.465)
26	IL-FHR-26S-HF	12.5 (.492)	17.1 (.673)	14.5 (.571)	18.1 (.713)	13.8 (.543)
30	IL-FHR-F30S-HF	14.5 (.571)	19.1 (.752)	16.5 (.650)	20.1 (.791)	15.8 (.622)
32	IL-FHR-F32S-HF	15.5 (.610)	20.1 (.791)	17.5 (.689)	21.1 (.831)	16.8 (.661)
33	IL-FHR-F33S-HF	16 (.630)	20.6 (.811)	18 (.709)	21.6 (.850)	17.3 (.681)
36	IL-FHR-F36S-HF	17.5 (.689)	22.1 (.870)	19.5 (.768)	23.1 (.909)	18.8 (.740)
40	IL-FHR-F40S-HF	19.5 (.768)	24.1 (.949)	21.5 (.846)	25.1 (.988)	20.8 (.813)
45	IL-FHR-F45S-HF	22 (.866)	26.6 (1.047)	24 (.945)	27.6 (1.082)	23.3 (.917)
50	IL-FHR-F50S-HF	24.5 (.965)	29.1 (1.146)	26.5 (1.043)	30.1 (1.181)	25.8 (1.016)

* For embossed tape, add E3000 to part number.

Dimensions in mm (inches).

X-ON Electronics

Largest Supplier of Electrical and Electronic Components

Click to view similar products for [FFC & FPC Connectors](#) category:

Click to view products by [Batron](#) manufacturer:

Other Similar products are found below :

[HFW11R-1STE1H1LF](#) [FH29B-100S-0.2SHW\(99\)](#) [FA5S008HP1](#) [FH29B-120S-0.2SHW\(99\)](#) [FH29B-80S-0.2SHW\(99\)](#) [FHS-16](#) [FPH-2022G](#)
[52610-1075](#) [52610-1275](#) [52610-1934](#) [XF3M\(1\)-1415-1B-R100](#) [501864-3091-TR225](#) [0525594033](#) [086210010340800](#) [086222026001800](#)
[52271-2869-CUT-TAPE](#) [62674-201121DLF](#) [62684-36210E9ALF](#) [52610-1675](#) [52746-1671-TR250](#) [10051922-2810EHLF](#) [6-520415-9](#)
[BD021-09A-A1-0350-0200-0550-LD](#) [SFV6R-1STE9HLF](#) [XF3M-2915-1B-R100](#) [1658549-1](#) [62674-221121ALF](#) [46214008010800](#)
[046298003000883](#) [151660622](#) [842-816-2630-035](#) [AYF530665TA](#) [AYF351525](#) [046296011930846+](#) [AYF352325A](#) [046254020000800+](#)
[FH19C-13S-0.5SH\(99\)](#) [FH39J-51S-0.3SHW\(99\)](#) [AYF355125A](#) [AYF530365TA](#) [FH29B-44S-0.2SHW\(99\)](#) [SFW5R-2STAE9LF](#) [AYF351125A](#)
[AYF350725A](#) [62684-502100AHLF](#) [FH39-61S-0.3SHW\(99\)](#) [AYF414035A](#) [10064555-172520HLF](#) [AYF212335A](#) [504754-2500](#)