



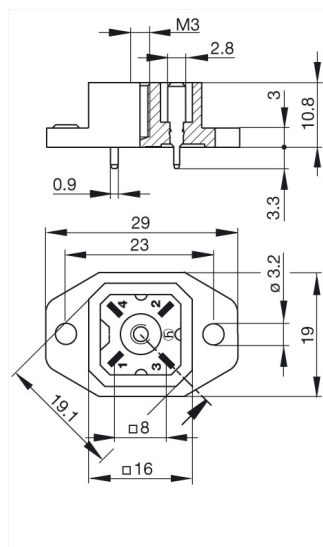
G 4 A 5 M schwarz/black

Industrial Connectors:Rectangular connectors G-series:Cable plug

Product description

Description	Surface mounted connector for printed circuit boards with flange and solder contacts
Type	G 4 A 5 M schwarz/black
Order No.	932 092-100
Type of contact	blade contacts
Number of contacts	4
Standard	DIN VDE 0627 / IEC 61984
Housing Color	black

Drawing



Technical data

Pin dimensions	2.8 mm x 0.8 mm
Rated voltage	AC/DC 50 V
Rated current	10 A
Contact resistance	<= 4 mOhm
Type of termination	solder (solder tabs for printed circuits)

Material

Contact surface material	Sn
Contact bearer material	PA
Housing material	PA

Environmental conditions

Protection class (IEC 60529)	IP 65
Pollution severity	3
Temperature range	-40 °C to +90 °C

Inflammability class

Housing	94 HB
Contact bearer	94 HB

Approvals

VDE

VDE

Packaging unit

Packaging unit 100 pieces

Scope of delivery and accessories

Scope of delivery 1 surface mounted connector

Accessories to order separately can be plugged into G 4 W 1 F schwarz/black,
G 4 KW 1 F 2m;
flat gasket G 30 E-2,
order no. 733 415-002

X-ON Electronics

Largest Supplier of Electrical and Electronic Components

Click to view similar products for [hirschmann](#) manufacturer:

Other Similar products are found below :

[931298001 GSP 211 PG11](#) [934828001 BRSCIS 4D/9](#) [AK2B2540I SW](#) [BUELA300KSW](#) [BUELA30KBL](#) [BUELA30KGE](#) [930011200 MAB 6](#)
[933116100 GSSA 300](#) [AK2BSW](#) [G 30 KW 3 M](#) [BNC-AL0.64](#) [BUELA300KBL](#) [BUELA300KRT](#) [BUELA30KGN](#) [BUELA30KRT](#)
[934066788](#) [934061103](#) [934059104](#) [972425002](#) [943301-001](#) [934061704](#) [STAK2](#) [AK2B2540I GN](#) [PRUEF1SW](#) [SPIDER-PL-20-](#)
[05T1999999TZ9HHHH](#) [BAT867-RUSW99AU999AT199L999ZHX](#) [930136106](#) [930317804](#) [934066105](#) [934072100](#) [934076103](#) [934086104](#)
[934086188](#) [973929000](#) [934157101](#) [930014517 MAS 30](#) [934077106](#) [934077105](#) [934064104](#) [932794001](#) [GECKO 4TX](#) [972309101](#)
[934100707](#) [975695700](#) [975455709](#) [975455701](#) [973528101](#) [MESAP 43650](#) [KLEPS1600SW](#) [932140100 STAK 3 N SCHWARZ](#)