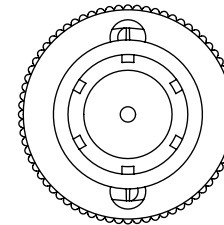
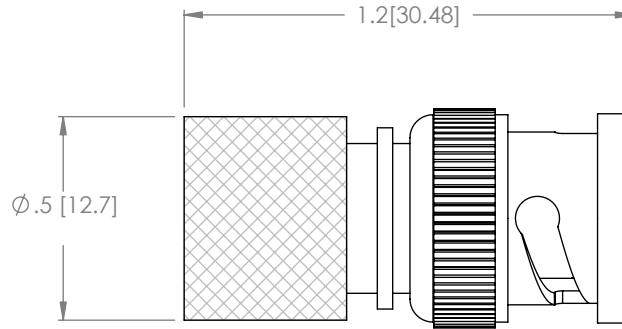
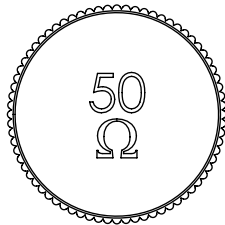


THE INFORMATION CONTAINED IN THIS DRAWING IS THE SOLE PROPERTY OF L-COM, INC. ANY REPRODUCTION IN PART OR WHOLE WITHOUT THE WRITTEN PERMISSION OF L-COM, INC. IS PROHIBITED.

REVISIONS			
REV	DESCRIPTION	DATE	CHANGED BY
A	RELEASED FOR PRODUCTION	11/02/03	MCCORMICK
B	REVISED TOLERANCES (ECN 1489)	09/08/03	MCCORMICK
C	INSULATOR WAS POLYPROPYLENE (ECN 1576)	11/03/03	MCCORMICK
D	ECN 3194: UPDATE DWG FORMAT	2/8/08	D.GRIFFIN



BNC PLUG

NOTES:

MATERIALS:
SHELL: BRASS
CONTACTS: BRASS
INSULATOR: ACETAL

FINISH:
SHELL: NICKEL
CONTACT: GOLD

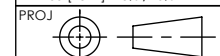
ELECTRICAL:
CHARACTERISTIC IMPEDANCE: 50 OHM

APPLICATION NOTES:
RESISTOR; 1/4 WATT CARBON FILM TYPE

PACKAGING:
INDIVIDUALLY PACKAGE IN A POLYBAG

RoHS Compliant ✓

UNLESS OTHERWISE SPECIFIED,
DIMENSIONS ARE IN INCHES [mm]
TOLERANCES TO BE:
.X ±.1 [2.5] ANGLES ±2°
.XX ±.01 [.25]
.XXX ±.005 [.13]
OVERALL CABLE LENGTH TOL:
≤ 60 [1524] +3 [76.2] / -0
> 60 [1524] +5% / -0%



APPROVALS	DATE
DRAWN BY C.MCCORMICK	11/01/2001
CHECKED BY D.PARHAM	11/01/2001
APPROVED BY R.CARRICK	11/01/2001

CONFIGURATION DETAILS OF
UNDIMENSIONED FEATURES
MAY VARY

	45 BEECHWOOD DRIVE NORTH ANDOVER, MA 01845		
	CATEGORY COAXIAL		
PRODUCT DESCRIPTION 50 OHM BNC TERMINATOR			
SIZE A	FSCM NO. 43321	DWG. NO. BTB5MD	REV. D
SCALE: NONE		CAD FILE: BTB5MD.SLDDRW	SHEET 1 OF 1

X-ON Electronics

Largest Supplier of Electrical and Electronic Components

Click to view similar products for [l-com manufacturer](#):

Other Similar products are found below :

[FOA-550A](#) [SDRA15AG](#) [UMC-201](#) [CSMN50MF-5](#) [CSMNB15MF-15](#) [TRD815RA2BL-5](#) [CA3N050](#) [CA3A-90DA-1M](#) [U3A00003-03M](#)
[CTLF3VGAMM-20](#) [HDCAMM-3](#) [U3A00014-03M](#) [ECF-SK-25](#) [CSMT15MF-10](#) [CSMT15MM-15](#) [CSMT15MM-25](#) [CSPL15MF-50](#)
[CSPL25MF-25](#) [CSPL9MF-10](#) [CSPL9MF-5](#) [CSPL25MF-5](#) [CSPL25MF-2.5](#) [AL-IPEPS](#) [NB201611-10F-1](#) [TDG1026KC5-MNL](#) [NB121005-](#)
[10F](#) [TRD855SRA6DBL-05M](#) [TRD855SRA6DBL-10M](#) [TRD855SRA7DBL-1M](#) [TRD855SRA7DBL-10M](#) [PR175SCDLCQ24](#) [TRG508-T4T-](#)
[3M](#) [TRA5261-15F](#) [TRA5261S-1F](#) [TRA6261-1F](#) [TRA6261-10F](#) [USBBFT](#) [DGB25M](#) [CASATAL-18](#) [CSM25MM-10](#) [CSM37MF-10](#)
[CSUSB-100](#) [CA3A-90RA-1M](#) [CA3A-90RMICB-1M](#) [U2A00003-3M](#) [U3A00003-05M](#) [U2A00008-12I](#) [U3A00056-03M](#) [U3A00007-075M](#)
[U3A00007-1M](#)