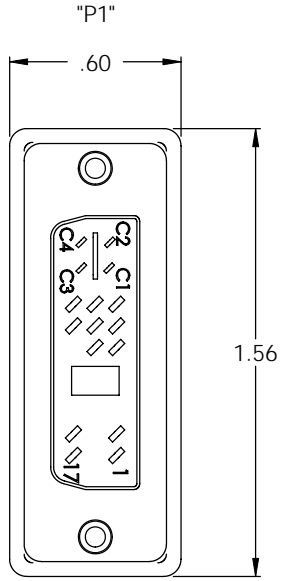
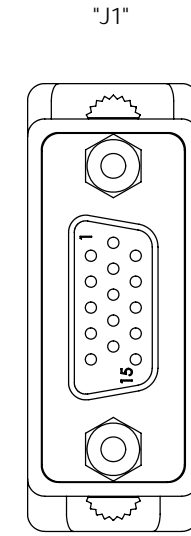
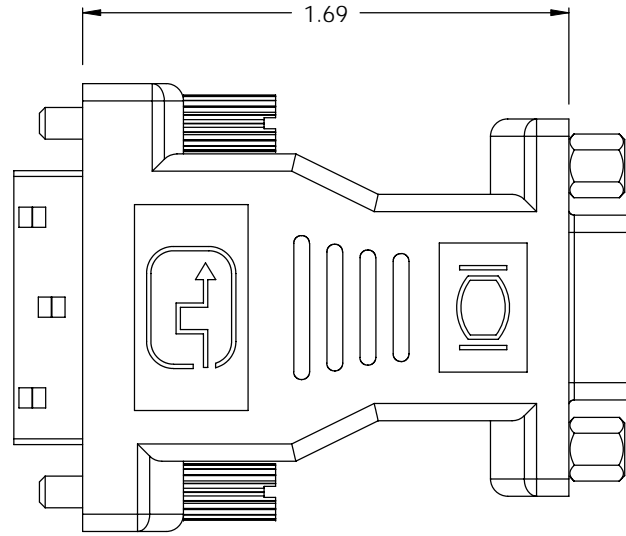


THE INFORMATION CONTAINED IN THIS DRAWING IS THE SOLE PROPERTY OF L-COM, INC. ANY REPRODUCTION IN PART OR WHOLE WITHOUT THE WRITTEN PERMISSION OF L-COM, INC. IS PROHIBITED.

REVISIONS			
REV	DESCRIPTION	DATE	APPROVED
B	CHANGED PVC BODY MOLDING (ECN# 1263)	12/9/02	T CLARK
C	CORRECTED WIDTH DIMENSION OF D-SUB HOOD (ECN# 1451)	8/6/03	T CLARK
D	ECN1641: ADDED COMPONENT SPECIFICATION TABLE	1/15/04	DFP
E	ECN# 2831 ADDED UL94V-0 RATED TO INSULATOR MATERIAL	04/26/07	C.BERUBE



MALE DVI-A CONNECTOR



FEMALE 15-PIN HIGH DENSITY D-SUB CONNECTOR

WIRING TABLE	
"P1"	"J1"
C5	6, 7, 8
C4	13
C3	3
C2	2
C1	1
15	5, 10
14, 16	9
8	14
7	12
6	15
SHELL	SHELL

Component Specifications	
Material	
Housing	PVC Color: Gray
Connector Shell	SPCC
Connector Insulator	THERMOPLASTIC UL94V-0
Connector Contact	Brass
Hardware	Brass or Steel
Internal Shielding	Copper foil
Finish	
Connector Shell	Tin over Nickel
Contact	Gold
Electrical	
Current Rating	1.5 A
Voltage rating	40 VDC, 500Vac (rms)
Insulation Resistance	1000MΩ
Contact Resistance	20mΩ max
Environmental	
Operating Temperature range	-20°C to 85°C

CS-211

UNLESS OTHERWISE SPECIFIED, DIMENSIONS ARE IN INCHES. TOLERANCES ARE:
 X ±.1
 XX ±.05
 XXX ±.005
 CABLE LENGTH TOLERANCE
 <300" ±5% >300" ±2%

APPROVALS	DATE
DRAWN BY T CLARK	4/6/2002
CHECKED BY D PARHAM	4/12/2002
APPROVED BY C MCCORMICK	4/12/2002

CONFIGURATION DETAILS OF UNDIMENSIONED FEATURES MAY VARY

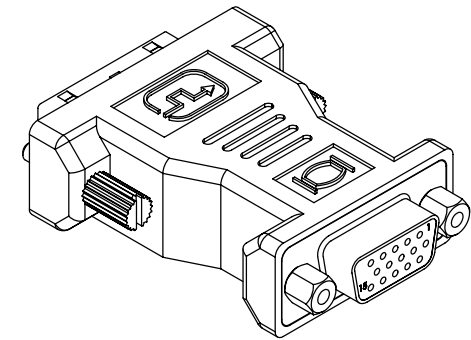
L-com 45 BEECHWOOD DRIVE
 CONNECTIVITY PRODUCTS NORTH ANDOVER, MA
 PRODUCTS 01845

PRODUCT DESCRIPTION
DVI-A ADAPTOR

DRAWING TITLE
OUTLINE DRAWING

SIZE	FSCM NO.	DWG. NO.	REV.
A	43321	DMB601MF-OD1	E

SCALE: NONE CAD FILE: DMB601MF-OD1.SLDDRW SHEET 1 OF 1



X-ON Electronics

Largest Supplier of Electrical and Electronic Components

Click to view similar products for [l-com manufacturer](#):

Other Similar products are found below :

[FOA-550A](#) [SDRA15AG](#) [UMC-201](#) [CSMN50MF-5](#) [CSMNB15MF-15](#) [TRD815RA2BL-5](#) [CA3N050](#) [CA3A-90DA-1M](#) [U3A00003-03M](#)
[CTLF3VGAMM-20](#) [HDCAMM-3](#) [U3A00014-03M](#) [ECF-SK-25](#) [CSMT15MF-10](#) [CSMT15MM-15](#) [CSMT15MM-25](#) [CSPL15MF-50](#)
[CSPL25MF-25](#) [CSPL9MF-10](#) [CSPL9MF-5](#) [CSPL25MF-5](#) [CSPL25MF-2.5](#) [AL-IPEPS](#) [NB201611-10F-1](#) [TDG1026KC5-MNL](#) [NB121005-](#)
[10F](#) [TRD855SRA6DBL-05M](#) [TRD855SRA6DBL-10M](#) [TRD855SRA7DBL-1M](#) [TRD855SRA7DBL-10M](#) [PR175SCDLCQ24](#) [TRG508-T4T-](#)
[3M](#) [TRA5261-15F](#) [TRA5261S-1F](#) [TRA6261-1F](#) [TRA6261-10F](#) [USBBFT](#) [DGB25M](#) [CASATAL-18](#) [CSM25MM-10](#) [CSM37MF-10](#)
[CSUSB-100](#) [CA3A-90RA-1M](#) [CA3A-90RMICB-1M](#) [U2A00003-3M](#) [U3A00003-05M](#) [U2A00008-12I](#) [U3A00056-03M](#) [U3A00007-075M](#)
[U3A00007-1M](#)