

AS85049/115

Straight RFI/EMI Shield-Sock Shrink Boot Adapter with Optional Self-Locking Coupling Nut

CONNECTOR DESIGNATOR:

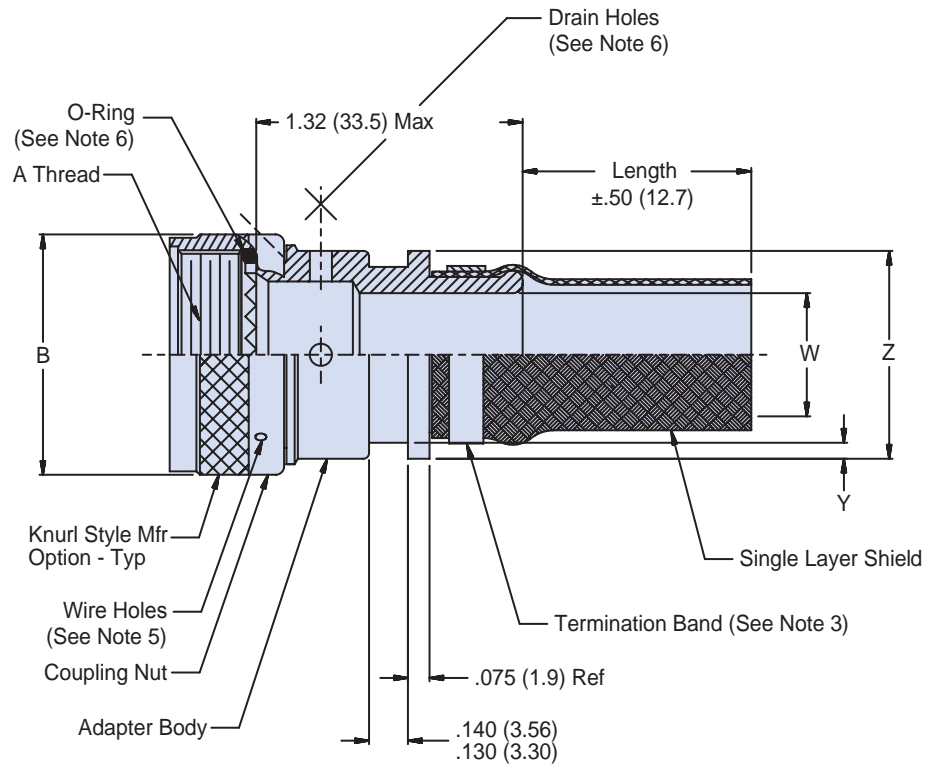
H MIL-DTL-38999 Series III and IV
EN3645

Product Series and
Basic Part NumberShell Size
(Table I)Shield Finish
(Table IV)Entry Size
(Table II)Drain Hole
(Omit for None)**M85049/115****S****11****T****W****03****- 6****D**

S = Detented, Self-Locking
- = Non-Self-Locking (Use Dash)
N = Non-Detented, Self-Locking

Finish
(Table III)

Braid Length
1 Inch Increments,
6" Min., 18" Max



Dimensions in inches (millimeters) and are subject to change without notice.

AS85049/115

Straight RFI/EMI Shield-Sock Shrink Boot Adapter with Optional Self-Locking Coupling Nut



AS85049

B

| TABLE I: Shell Size and Dimensions | | | |
|------------------------------------|-------------------|----------------|----------------------------|
| Shell Size | A Thread Class 2B | B Max Diameter | Allowable Cable Entry Size |
| 09 | M12 X 1 - 6H | .858 (21.79) | 01 |
| 11 | M15 X 1 - 6H | .984 (24.99) | 01-03 |
| 13 | M18 X 1 - 6H | 1.157 (29.39) | 01-05 |
| 15 | M22 X 1 - 6H | 1.279 (32.49) | 03-07 |
| 17 | M25 X 1 - 6H | 1.406 (35.71) | 05-09 |
| 19 | M28 X 1 - 6H | 1.516 (38.51) | 06-10 |
| 21 | M31 X 1 - 6H | 1.642 (41.71) | 08-12 |
| 23 | M34 X 1 - 6H | 1.768 (44.91) | 09-13 |
| 25 | M37 X 1 - 6H | 1.889 (47.98) | 10-14 |

| TABLE II: Entry Size and Dimensions | | | |
|-------------------------------------|-------------------|---------------------------------|--------------|
| Entry Size | W ± .020 (.51) | Y +.008 (.20) -.000 (.00) | Z Max |
| 01 | .250 (6.4) | .044 (1.12) | .560 (14.2) |
| 02 | .312 (7.9) | .044 (1.12) | .630 (16.0) |
| 03 | .375 (9.5) | .044 (1.12) | .690 (17.5) |
| 04 | .438 (11.1) | .044 (1.12) | .750 (19.1) |
| 05 | .500 (12.7) | .044 (1.12) | .820 (20.8) |
| 06 | .562 (14.3) | .044 (1.12) | .890 (22.6) |
| 07 | .625 (15.9) | .044 (1.12) | .950 (24.1) |
| 08 | .688 (17.5) | .044 (1.12) | 1.020 (25.9) |
| 09 | .750 (19.1) | .069 (1.75) | 1.120 (28.4) |
| 10 | .812 (20.6) | .069 (1.75) | 1.200 (30.5) |
| 11 | .875 (22.2) | .069 (1.75) | 1.270 (32.3) |
| 12 | .938 (23.8) | .069 (1.75) | 1.260 (32.0) |
| 13 | 1.000 (25.4) | .069 (1.75) | 1.370 (34.8) |
| 14 | 1.125 (28.6) | .069 (1.75) | 1.470 (37.3) |

| Table III: Symbol and Finish | |
|------------------------------|---|
| Symbol | Finish |
| N | Electroless Nickel |
| W | Cadmium/Olive Drab over Electroless Nickel (1000 Hour Salt Spray) |
| X | Nickel Fluorocarbon Polymer |
| Z | Zinc Nickel |

| Table IV: Symbol and Finish | |
|-----------------------------|--------------|
| Symbol | Finish |
| K | Nickel Plate |
| T | Tin Plate |

| Table V: (Manufacturer's Option) | |
|----------------------------------|------------|
| Material | Finish |
| Copper | Tin Plate |
| Stainless Steel | Passivated |

APPLICATION NOTES

- Assembly identification with manufacturer's name and part number, space permitting.
- Metric equivalents are given for general information only and are based on 1.00 inch = 25.4 mm.
- Termination band configuration is not controlled. Band with buckle may exceed the "Z" dimensions (see Table II) provided the band does not interfere with boot attachment. Band material shall be as specified in Table V.
- Termination of the accessory shield with harness shield may be performed with a GS85049/93 shield support ring or similar split ring accessory types.
- Three (3) holes equally spaced shall be provided and accommodate .020 (0.51) maximum safety wire for the non-self-locking coupling configuration.
- .125 (3.2 mm) diameter drain holes will be provided, 4 places, equally spaced (Optional, see part number development). O-Ring not required when drain hole option is specified.
- Material/Finish:
 Adapter, coupling nut - Al alloy/see Table III.
 Termination band - See Table V (manufacturer's option).
 Braid - Copper/see Table IV.
 O-Ring - Silicone/N.A.

Dimensions in inches (millimeters) and are subject to change without notice.

X-ON Electronics

Largest Supplier of Electrical and Electronic Components

Click to view similar products for [Circular MIL Spec Backshells](#) category:

Click to view products by [Glenair](#) manufacturer:

Other Similar products are found below :

[5M2919-3DW](#) [5M2920-3CW](#) [5M2953-1HW](#) [60-036152-022](#) [610HS012M15](#) [M28840/504WA](#) [M28840/805WB](#) [M28840/809WA](#)
[M28840/815WA](#) [M28840/816WA](#) [627AS017M14](#) [62GB5851608S](#) [655HS002NF11](#) [CW3703-000](#) [CW3899-000](#) [M85049/10-134S](#)
[M85049/10-17S](#) [M85049/10-33S](#) [M85049/10-94W](#) [M85049/11-09W](#) [M85049/11-28N](#) [M85049/11-37N](#) [M85049/11-53N](#) [M85049/11-63N](#)
[M85049/118-20W](#) [M85049/124-23W](#) [M85049/124S09W](#) [M85049/126S23W](#) [M850491712W02](#) [M85049/1720N04B](#) [M85049/1817N06](#)
[M850491819W03](#) [M85049/1821W05C](#) [M85049/1825W06C](#) [M85049/1919N05](#) [M85049/1919W04](#) [M850491919W07](#) [M85049/23-59W](#)
[M85049/23-74W](#) [M8504924-5W](#) [M85049/24-71N](#) [M85049/25-47N](#) [M85049/25-94W](#) [M85049/27S12N](#) [M8504938-13S](#) [M85049/38-19S](#)
[M85049/39-11S](#) [M85049/39-17S](#) [M85049/39-9S](#) [M85049/3W4A2](#)