

62.5/125 (OM1) Optical Fibre Patchcords

Optical Fibre patchcords are a defining factor in ensuring your network performs to the highest level.

A patchcord can be split into three key components;

- the connector
- the cable
- the manufacturing process.

These three areas all contribute to the performance of a patchcord, but it is the



manufacturing process that defines the performance of the assembly. Whilst the cable and connectors used in FibreFab optical fibre patchcords are the best available, it is our expertise in production that sets our products apart.

FibreFab has 15 years experience in

manufacturing fibre optic cable assemblies from using Biconic and SMA through to ST, SC to today's Small Form Factor (SFF) connectors like the LC, MU or MT-RJ. If you have a fibre network, no matter what the technology, FibreFab can offer you a solution.



- Multimode & Singlemode applications ST/SC/FC/LC/E2000/MU Connector types
- Ultra polish & Angle polish options available all terminations are manufactured to exceed performance parameters set by industry standards
- Tyco AMP approved UK manufacturing facility
- Fast turn around of non-standard requirements
- Full tracability & test certification supplied with each assembly
- 900µm tight buffered fibre optic cable

Specifications

Patchcord Specification

Mechanical

Length: 1m to 10m ± 10mm
Other lengths available to order

Split Length (Duplex): 150mm ± 5mm

Product Packaging

Each patch cord is packaged individually and individually identified for traceability, test certification is supplied for each assembly.

Optical fibre and cable performance

Attenuation (dB/km)
(850/1300) 2.8/0.8

Bandwidth (MHz.Km)
(850/1300) 200/500

Sheath colour
Yellow

Strength Members
Aramid strength members

Fire Performance
LSZH for Internal/External Applications
Flame Resistance IEC 60332-1

Connector Specification

Optical Performance (Multimode) Insertion loss: Max. 0.3 dB Typical 0.2 dB

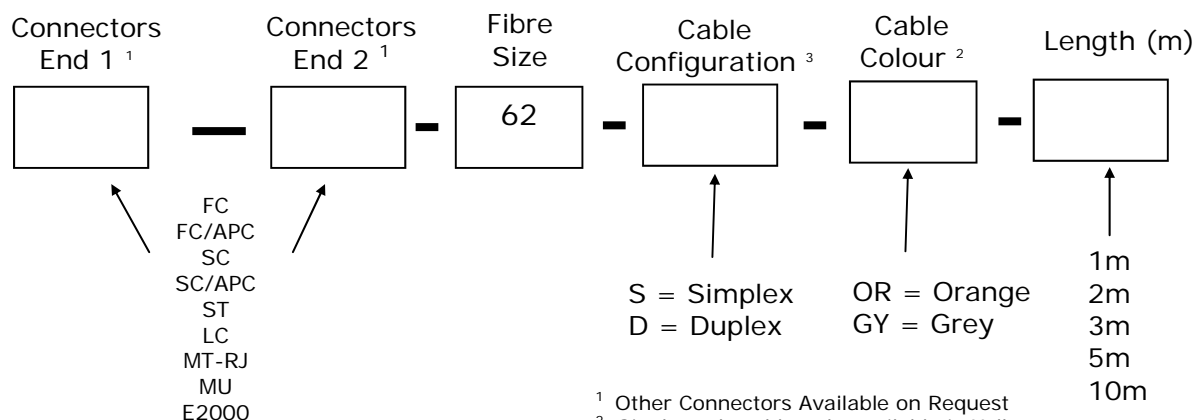
Optical Performance (MT-RJ) Insertion loss: Max. 0.5 dB

Operating Temperature -40°C to +85°C

Intermateability Optically and mechanically compatible with all equivalent connectors.
Compliant with IEC 874-14.

For full information on the Optronics connectors used on the FibreFab patch cords, please contact the address below for a connector data sheet.

Ordering Information



FibreFab Limited

Davy Avenue
Knowlhill
Milton Keynes
MK5 8ND

Tel: +44 (0) 870 127 3330
Fax: +44 (0) 870 127 3331
Email: sales@fibrefab.com
Internet: www.fibrefab.com

FibreFab Ltd is registered in England no. 2734823.

X-ON Electronics

Largest Supplier of Electrical and Electronic Components

Click to view similar products for [optronics](#) manufacturer:

Other Similar products are found below :

[Optronics](#)