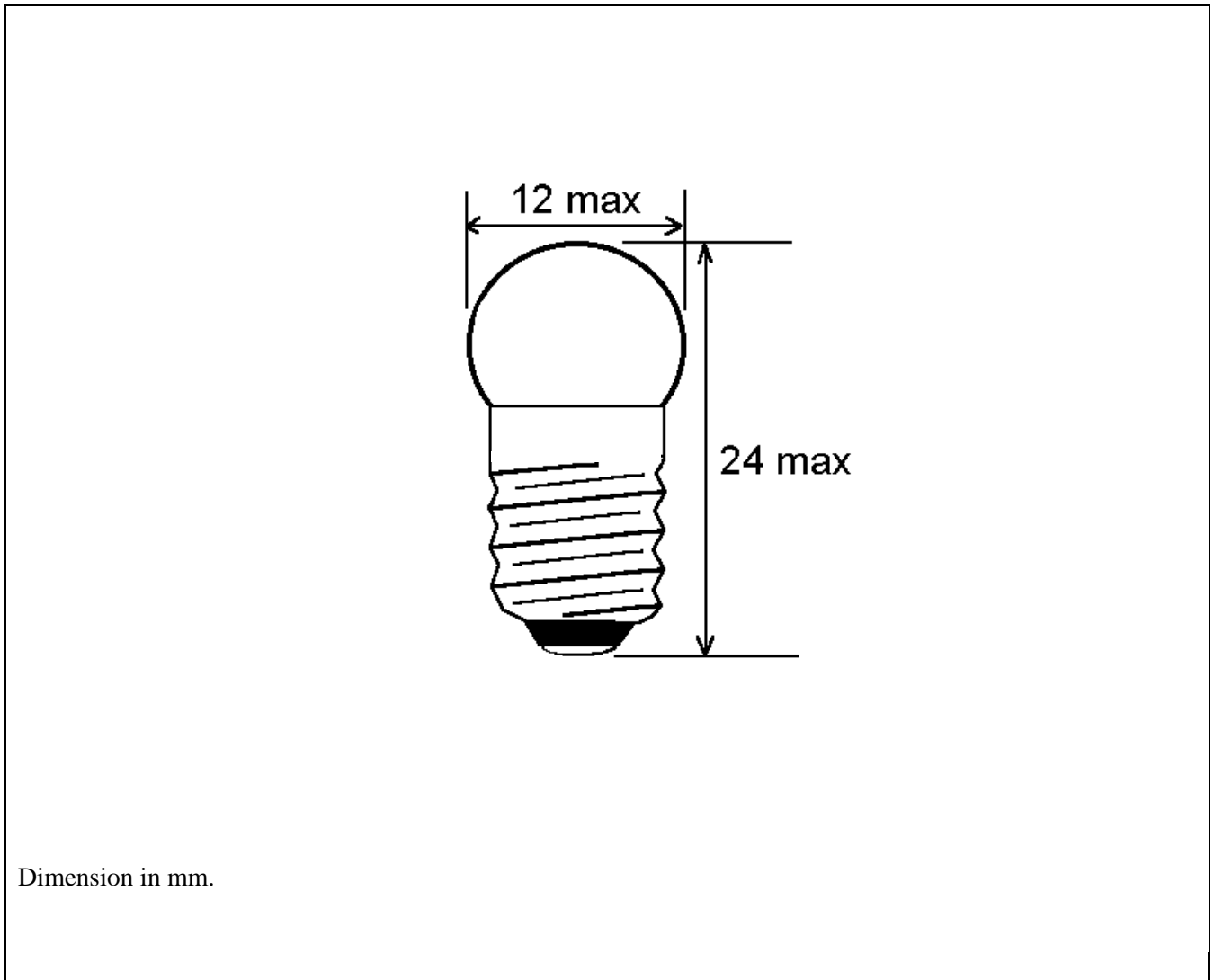


PRODUCT DATA SHEET

Type	Size	Rating	Description	Part No.
Incandescent	G11(G-3½)	24V 2.8W	11mm Edison screw lamp	G650-5



TEST VOLTS	CURRENT (mA)			LIGHT OUTPUT (Lm)			LIFE Hours
	Min.	Nom.	Max.	Min.	Nom.	Max.	
24	104	116	128	10.0	13.5	17.0	3,000

NOTES:

- 1 RoHS compliant
- 2 Cap type E10/13, nickel plated brass
- 3 Filament shape C-2F
- 4 Cap marking CML 24V 2.8W

Issue No.	Date	C.N. No.	Drawn	Tech	QA
1	29/08/07	-	BCW		

X-ON Electronics

Largest Supplier of Electrical and Electronic Components

Click to view similar products for [lux manufacturer](#):

Other Similar products are found below :

[BS239](#) [BS233](#) [N9951189](#) [BS460](#) [6240-99-995-1183](#) [BS207](#) [BS448](#) [6240-99-995-1294](#) [6240-99-995-9233](#) [BS247](#) [BS382](#) [N9951903](#) [BS245](#)
[6839*M](#) [BS150](#) [6240-99-995-1233](#) [G987-5](#)