

# PowerConnections

## 3 Pin Schuko Converter Plug Technical Data & Fitting Instructions

### Description

The 3 Pin Schuko Converter Plug (SCP3) is an adapter that converts the European IEC 83:1975 Standard C 2b, C4, C5, and C6 plug to the BS 1363 system format. The plug is designed and manufactured to meet the requirements of BS 5733. It complies fully with the LVD and Plug and Socket safety regulations. The design of the clamping method ensures the body of the European IEC 83:1975 Standard C 2b, C4, C5, and C6 plug is enclosed.

### Classification

- Adapter, Single portable,
- Re-wireable plug,
- Fused,
- Normal use,
- Converts European IEC 83:1975 Standard C 2b, C4, C5, and C6 plug to the BS 1363 format.
- Suitable for Class 1 and 2 devices (earthed and unearthed).
- Not Suitable for any other plug system.

### Certification

- BSi Kitemark to BS 5733

### Relevant Standards

- BS 5733 — Electrical Accessories
- BS 1363 — Plug Features
- BS 1362 — Fuse link

### Rating

- Voltage 240V ac
- Current 13 amps max,
- Load 3000 watts max.
- Frequency 50 Hz
- Environmental Protection IP 3X (STD BS1363 accessory rating).
- Fuse 13 amp BS 1362.
- Flammability V2 (external Casing)
- Mechanical Strength 1000 grams @ 500mm
- Colour Black or White
- Weight 60 grams typical
- Finish Plain and fine sparkle
- Retaining Screw Plain or Tamperproof

Note: - Tolerance as per relevant British Standard

### Safety Design Features

- Double mechanical interlocks to prevent the SCP3 from being inserted into the socket outlet without the cover and retaining screws being properly secured.
- Hinged cover
- External fuse access, opening of SCP3 not required
- No loose parts
- Plug features designed to meet the requirements of BS1363.
- Meets the requirements of the DTI Plug and Socket regulations.

Supplied by Sandal plc to Kowin Innovation on 14th June 2011

# PowerConnections

## Installation System

The 3 Pin Schuko Converter Plug (SCP3) is designed for use within the BS1363 Plug and Socket system only, as defined by the IEE Wiring Regulations BS 7671

## Fitting

The 3 Pin Schuko Converter Plug (SCP3) should be fitted as follows (see full details below):

1. Open SCP3
  2. Insert the Schuko Plug into the SCP3.
  3. Close lid <sup>1</sup>
  4. Tighten retaining screws <sup>2</sup> to 0.4N.m (4.08Kgf.cm).
  5. Assembly complete
- *NOTE 1: - If the cover does not close fully, this may mean that the Schuko Plug has not been correctly fitted, check, and rectify before use.*
  - *NOTE 2: - This torque setting is for hand screwdrivers, if required, please contact us for guidance regarding power screwdriver settings*

## Service Conditions

- Temperature Range
  - Storage -40°C to +80 °C Ambient
  - Working -05°C to +35 °C 95% RH Ambient
- Altitude 2000m above sea level max.
- Not subject to exposure to direct radiation from the sun
- Abnormal Condition - Avoid pollution by smoke, chemical and flammable fumes salt laden spray, periods of high humidity > 95% relative humidity (RH)

## SCP3 FITTING INSTRUCTIONS Straight Schuko



### **Diagram 1**

Product received closed

Insert thumbs at “A” and “B” and pull open lid.

Product now ready to use, see diagram 2

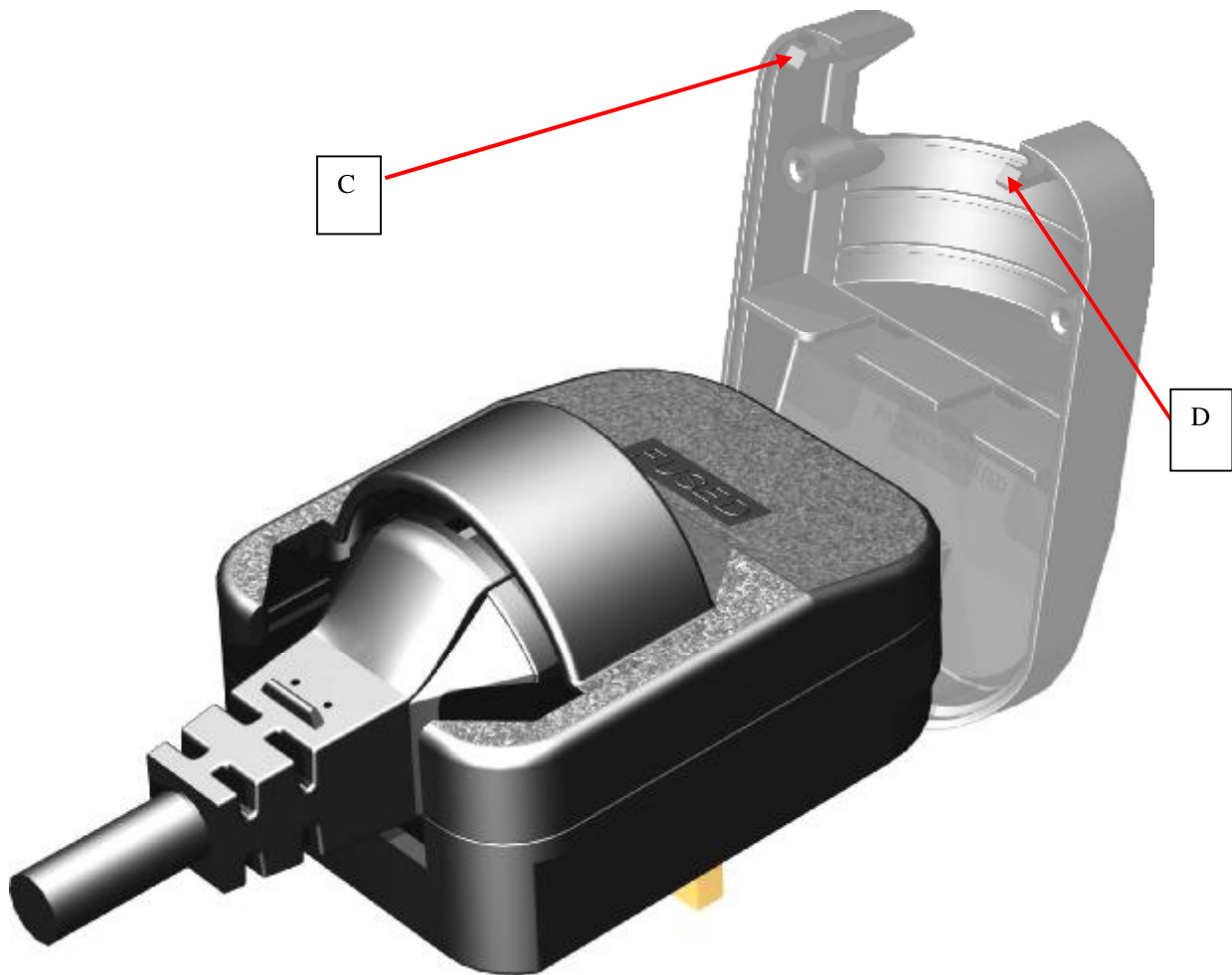
# PowerConnections



## Diagram 2

Get plug and install in to clips, and close lid aligning clips, see diagram 3.

# PowerConnections



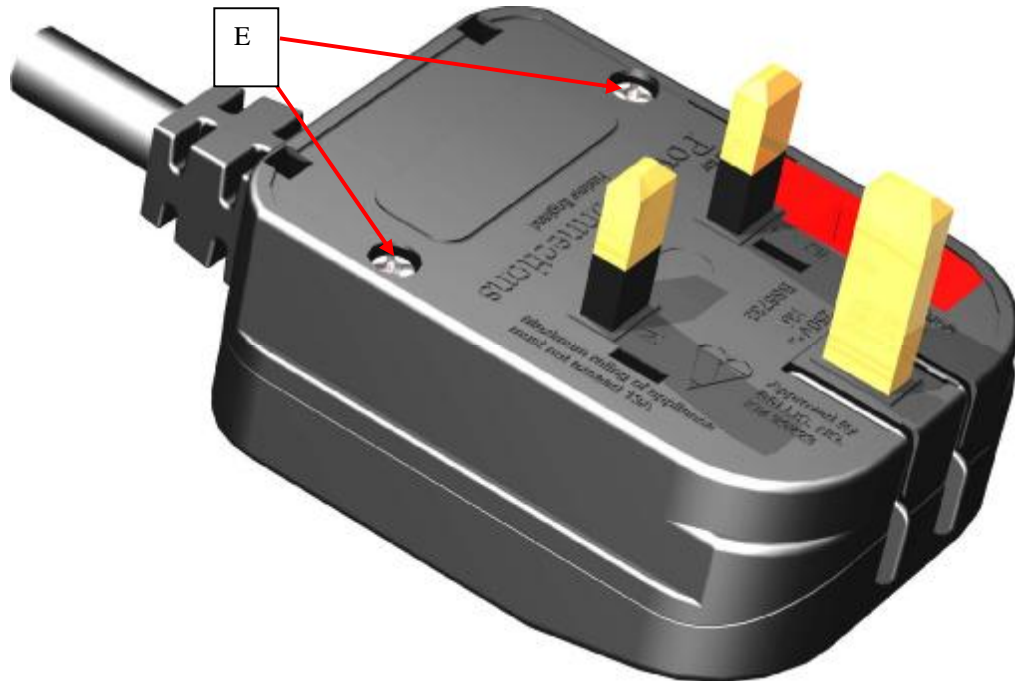
## **Diagram 3**

Close lid

Ensure clips “C” and “D” align and click home, see diagram 4.

Supplied by Sandal plc to Kowin Innovation on 14th June 2011

# PowerConnections



## **Diagram 4**

Lid now secured by clips, and ready to screw up as shown, tighten screws to a torque of 0.4 Nm  
**(Maximum)**

Fitting complete

# PowerConnections

## SCP3 FITTING INSTRUCTIONS

### Right Angle Schuko



#### **Diagram 1**

Product received closed

Insert thumbs at "A" and "B" and pull open lid.

Product now ready to use, see diagram 2

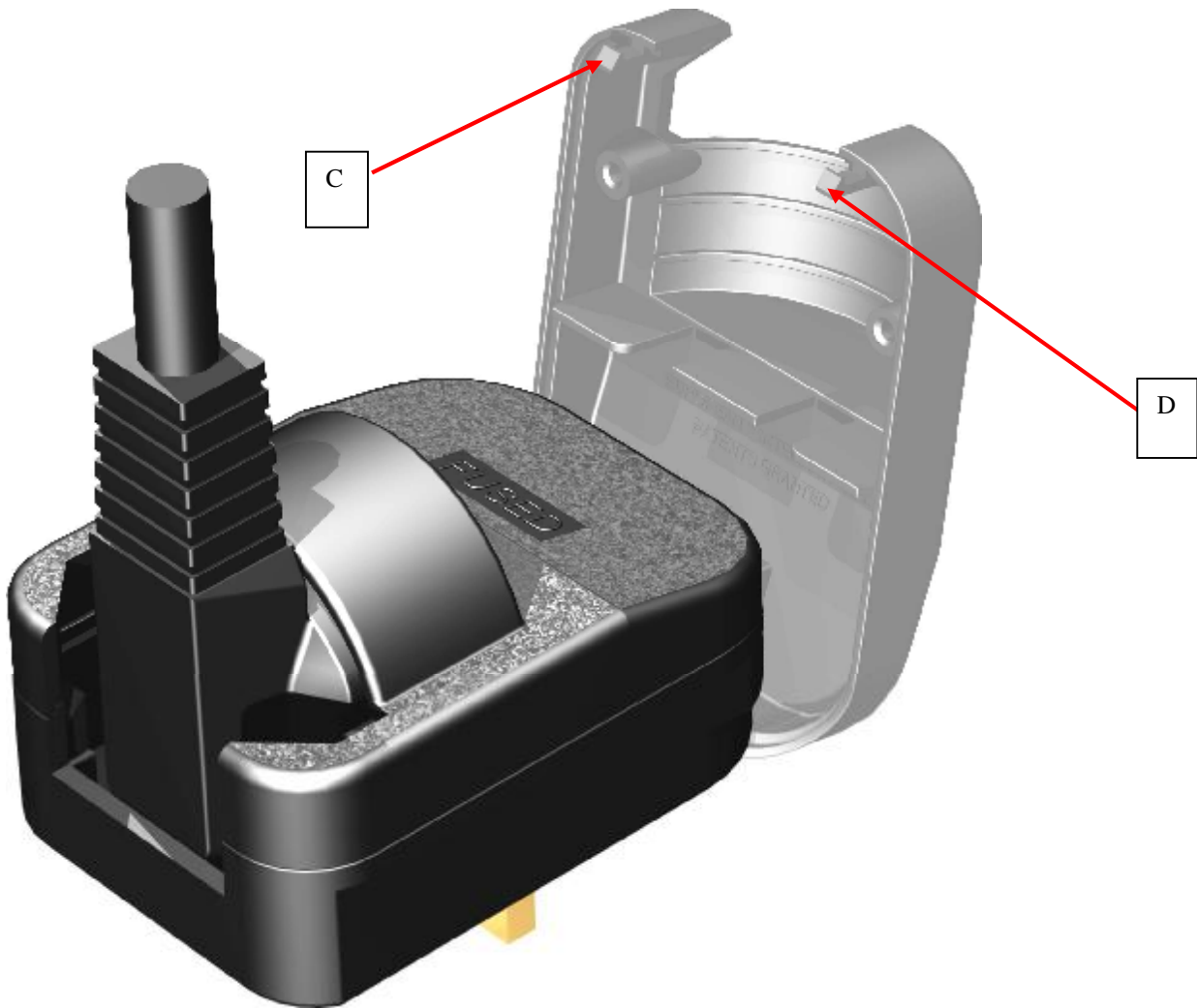
Supplied by Sandal plc to Kowin Innovation on 14th June 2011



## **Diagram 2**

Get plug and install in to clips, and close lid aligning clips, see diagram 3.



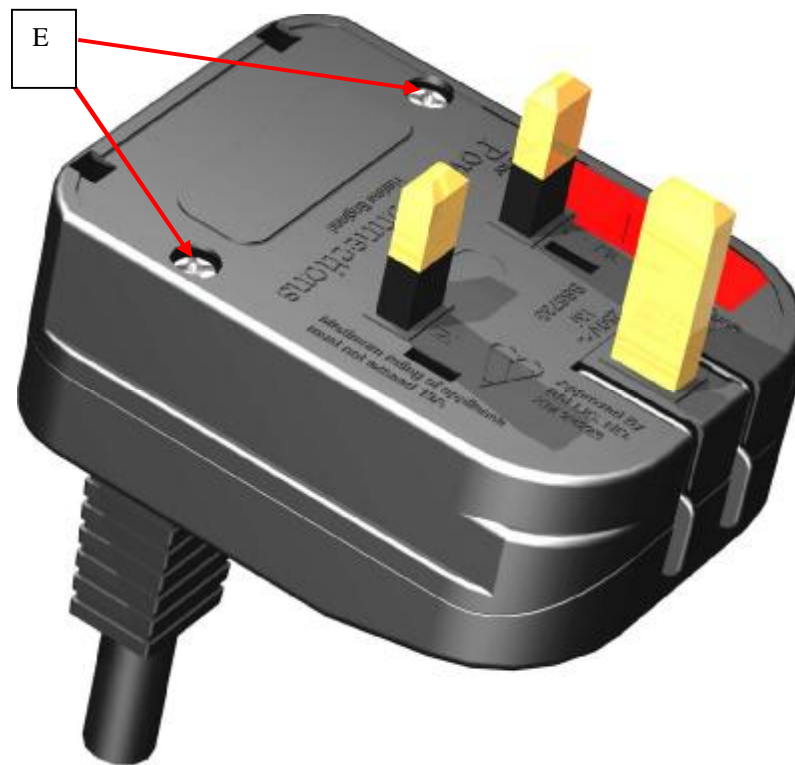


### **Diagram 3**

Close lid

Ensure clips "C" and "D" align and click home, see diagram 4.

# PowerConnections



## Diagram 4

Lid now secured by clips, and ready to screw closed (2 screws “E”) as shown, tighten screws to a torque of 0.4 Nm (**Maximum**)

Fitting complete

## **X-ON Electronics**

Largest Supplier of Electrical and Electronic Components

*Click to view similar products for [powerconnections](#) manufacturer:*

Other Similar products are found below :

[CP3B](#)