

1400N series

Momentary pushbutton switches - snap-in mounting - square plunger

Distinctive features and specifications



- Butt action contacts, double break
- Solder lug, straight PC and quick-connect terminals

B2

ELECTRICAL SPECIFICATIONS

- Max. current/voltage rating with resistive load :
 - silver contacts (A) : 6A 12VDC
 - silver plated copper contacts (C) : 3A 12VDC
- Initial contact resistance : 10 mΩ
- Insulation resistance : 1.000 MΩ min. at 500VDC
- Dielectric strength :
 - 1.500 Vrms 50 Hz min. between terminals
 - 2.000 Vrms 50 Hz min. between terminals and metal panel
- Electrical life : 10.000 cycles at full load

MATERIALS

- Case : polyamide
- Plunger : polyamide
- Contacts :
 - A : silver
 - C : copper, silver plated

GENERAL SPECIFICATIONS

- Panel thickness : 2 mm (.078) max.
- Operating temperature : -20°C to +55°C

Dimensions : first dimensions are in mm while inches are shown as bracketed numbers.



Packaging unit : 60 pieces.

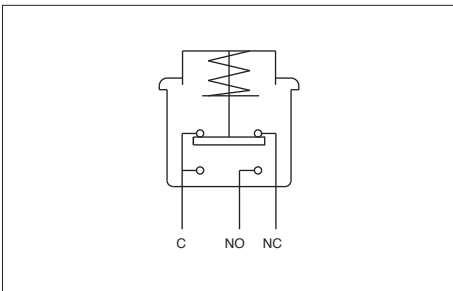


MODEL
STRUCTURE

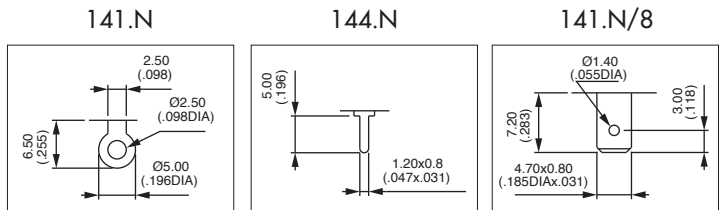
1400N series

Momentary pushbutton switches - snap-in mounting - square plunger

Solder lug, straight PC or quick-connect terminals



• Single pole configurations



MODEL
STRUCTURE

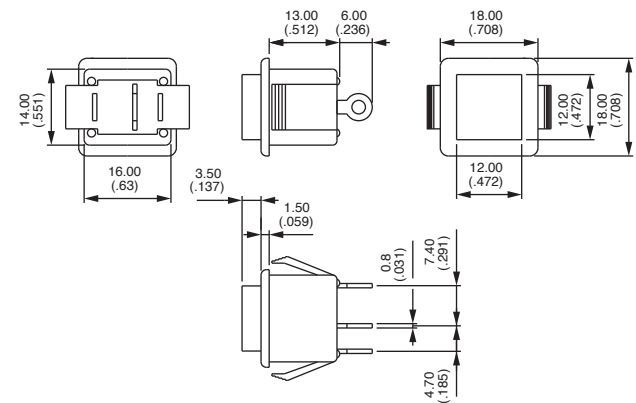


B2

Solder lug terminals



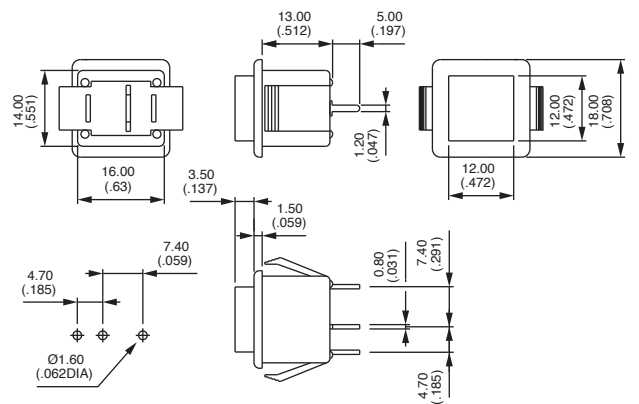
1412N		Normally Closed
1413N		Normally Open
1415N		Changeover



Straight PC terminals



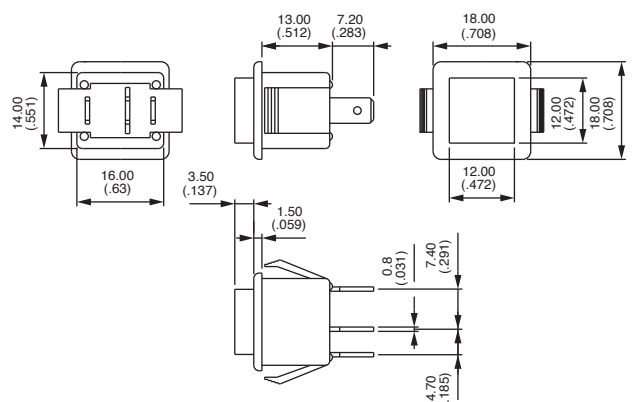
1442N		Normally Closed
1443N		Normally Open
1445N		Changeover



Quick-connect terminals 4,7 x 0,8 (.185 x .031)

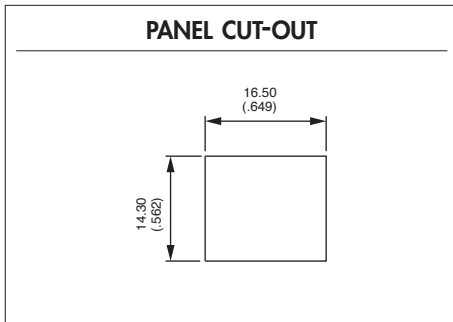


1412N/8		Normally Closed
1413N/8		Normally Open
1415N/8		Changeover



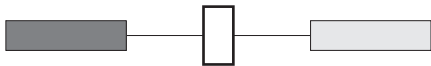
1400N series

Momentary pushbutton switches - snap-in mounting - square plunger



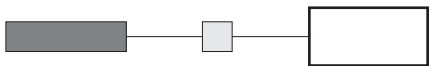
B2

CONTACT MATERIALS



- A** Silver
C Copper, silver plated

PLUNGER COLOURS



- 2** Black (standard)
3 Green
6 Red
7 Ivory



Switch frame supplied in black.

X-ON Electronics

Largest Supplier of Electrical and Electronic Components

Click to view similar products for [apem](#) manufacturer:

Other Similar products are found below :

[48](#) [TW11GRY1](#) [SLB13814](#) [SLC120025](#) [DA04T](#) [Q6F1CXXB24](#) [SLG12004](#) [SLB1281R5](#) [DPL-02](#) [DA08](#) [5D15F1534](#) [M11L0A1M](#)
[M11L0B1M](#) [M21L0E1C](#) [M31L0M1M](#) [CW-A0BK1A00A0](#) [MAB6B](#) [A019101](#) [A019305](#) [A019409](#) [A029301](#) [A1PCA0X106J103](#)
[Q16F1BXXR12E](#) [Q22F1BXXY12E](#) [Q22F1CXXB24E](#) [Q22F1CXXG12E](#) [Q8P1BXXY110E](#) [Q8P3BXXG12E](#) [Q8P7BZZRYG12E](#)
[Q8R3BXXG02E](#) [121442RA](#) [HF-33S10](#) [HF44R11](#) [HF45R10](#) [HFX44S00](#) [DMR10](#) [DSR04T](#) [AV0830C900](#) [AV19810KMZB](#) [MSS22](#)
[BD150A01RE0000](#) [BD150D02BK1200](#) [HS1T24GA](#) [1D09034](#) [1Z03](#) [1ZZ](#) [NZAA0477](#) [NZAA1475](#) [NZAB1475](#) [NZAB1477](#)