

□ **140×140**mm **P L S**
SAN ACE 140L



General specifications

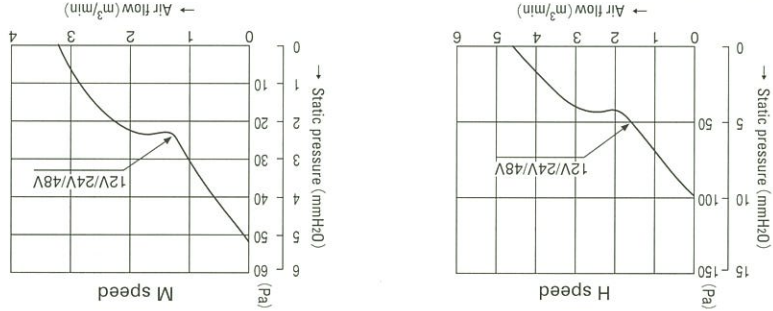
Life expectancy 100,000 hours
(survival rate: 90% at 60°C, rated voltage, and continuously run in a free air state)
Motor protection system Current cut system
(with reverse-connection protection)
Dielectric strength 50/60 Hz, 500 VAC, 1 minute
(between lead conductor and frame)
Operating thermally range -10°C to +60°C (non-condensing)
Fan power lead H speed, ⊕ red, ⊖ black
M speed, ⊕ red, ⊖ blue

38mm thick

Specifications

Model No.	Rated voltage (V)	Operating voltage range (V)	Rated current (A)	Rated input (W)	Rated rotating speed (min ⁻¹)	Air flow (m ³ /min)	Static pressure (Pa (mmH ₂ O))	Noise (dB [A])	Mass (g)
109L1412H102	12	10.2 to 13.8	0.73	8.76	2,600	4.5	98(10)	46	
109L1424H102	24	20.4 to 27.6	0.37	8.88	2,600	4.5	98(10)	46	
109L1448H102	48	40.8 to 55.2	0.2	9.6	2,600	4.5	98(10)	46	
109L148M102	48	40.8 to 55.2	0.09	4.32	1,900	3.3	52(5.3)	38	

Typical air flow and static pressure characteristics

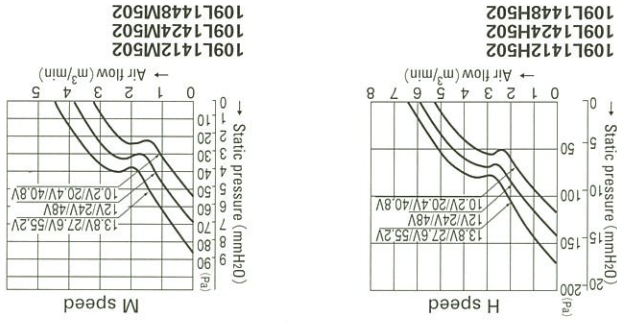


51mm thick

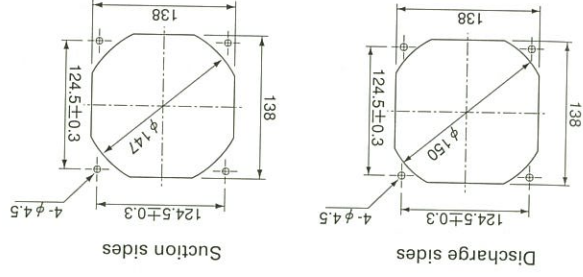
Specifications

Model No.	Rated voltage (V)	Operating voltage range (V)	Rated current (A)	Rated input (W)	Rated rotating speed (min ⁻¹)	Air flow (m ³ /min)	Static pressure (Pa (mmH ₂ O))	Noise (dB [A])	Mass (g)
109L1412H502	12	10.2 to 13.8	1.4	16.8	3,200	5.9	142.1(14.5)	52	
109L1424H502	24	20.4 to 27.6	0.6	14.4	3,200	5.9	142.1(14.5)	52	
109L1448H502	48	40.8 to 55.2	0.29	13.9	3,200	5.9	142.1(14.5)	52	
109L148M502	48	40.8 to 55.2	0.12	5.76	2,100	3.9	68.6(7)	41	

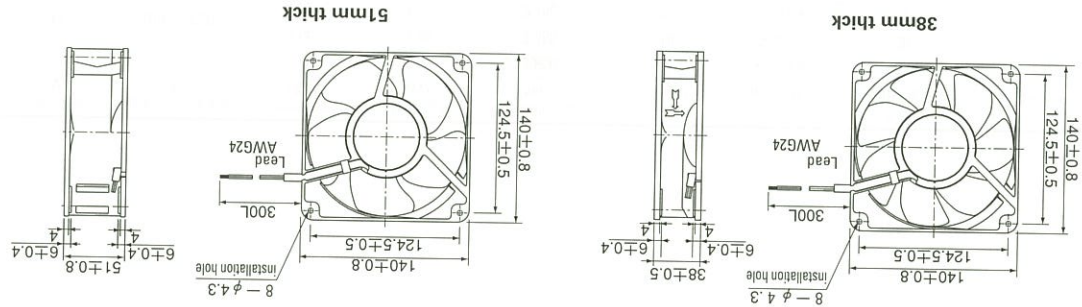
Typical air flow and static pressure characteristics



Reference dimensional diagram for installation holes (unit : mm)



Dimensions (unit : mm)



X-ON Electronics

Largest Supplier of Electrical and Electronic Components

Click to view similar products for [AC Fans](#) category:

Click to view products by [Sanyo Denki](#) manufacturer:

Other Similar products are found below :

[M2E068-DF13-79](#) [F1238H24B-FHR](#) [8850A](#) [G9225S05B2-FSR](#) [A2D200-AA04-41](#) [A2E165-AA17-01](#) [R2D140-AB02-14](#) [R4D310-AS18-01](#)
[R4D400-AD22-06](#) [R4E180-AS11-09](#) [AD0912HB-A7BGL](#) [1500-FAN-01](#) [25.001.1856.0](#) [25.320.1153.1](#) [25.320.1353.1](#) [25.320.4753.1](#)
[25.320.5453.1](#) [25.330.1353.1](#) [25.330.4853.1](#) [25.330.5153.1](#) [25.330.5353.1](#) [25.340.1053.1](#) [25.350.5253.0](#) [25.600.4053.0](#) [272DL-2LP11-000](#)
[S2E250-AL06-70](#) [A2D210-AB10-05](#) [A2D240-AA02-02](#) [A2D250-AE22-06](#) [A2E170-AF23-01](#) [F1238S24BT-FSR](#) [25.000.1856.0](#)
[25.000.2056.0](#) [25.010.1856.0](#) [25.220.3953.1](#) [25.332.2453.1](#) [25.340.0453.1](#) [25.345.5353.0](#) [25.352.1853.0](#) [281DS-2LP11-000B](#) [281DY-](#)
[1LP14-000B](#) [298DM-2LP11-000](#) [298DS-2LP11-000A](#) [R2S150-AD08-09](#) [344DY-1LP11-000](#) [39.703.0253.0](#) [USTF1203224VHW](#)
[3915100996-SA3](#) [3G2C7MC224](#) [W2D200-HH04-07](#)