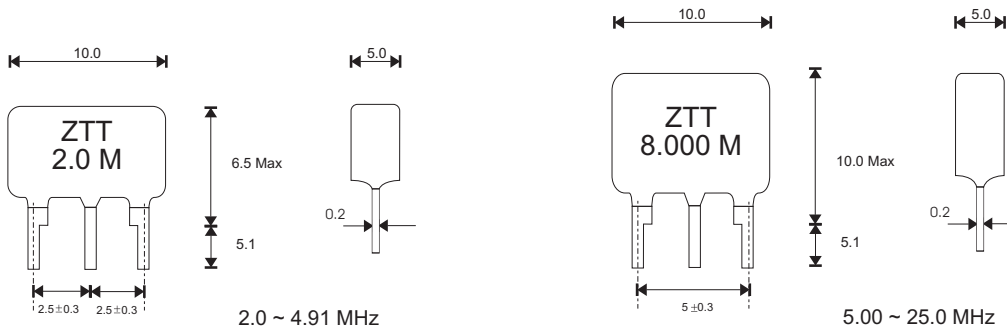


Specify AEL

ZTT Series With Built-In Capacitor



Ceramic Resonators



2.0 ~ 4.91 MHz

5.00 ~ 25.0 MHz

FEATURES

- Low Cost
- Ex-Stock Availability
- Industry Standard Dimensions
- Good Stability

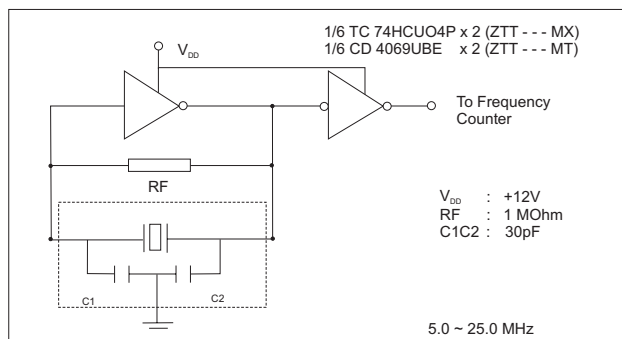
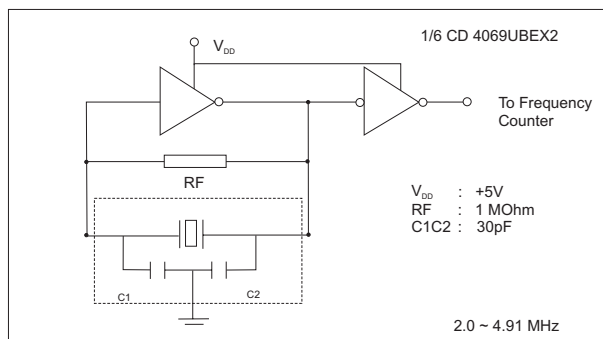
APPLICATIONS

- Microprocessor Systems
- Datacommunications
- Consumer Electronics
- Automotive Electronics

STANDARD SPECIFICATION

Part Number	ZTT □.□□ MG	ZTT □.□□ MG	ZTT □.□□ MG	ZTT □.□□ MG	ZTT □.□□ MT	ZTT □.□□ MX
Frequency Range	2.00 ~ 2.99	3.00 ~ 3.49	3.50 ~ 4.99	5.00 ~ 6.99	7.00 ~ 13.00	13.01 ~ 25.00
Frequency Accuracy At 25°C	+/-0.5	+/-0.5	+/-0.5	+/-0.5	+/-0.5	+/-0.5
Temp. Stability -20°C to +80°C	+/-0.3	+/-0.3	+/-0.3	+/-0.3	+/-0.3	+/-0.3
Ageing (Over 10 years)	+/-0.3	+/-0.3	+/-0.3	+/-0.3	+/-0.3	+/-0.3
ESR (Ohms Max)	80	50	30	30	25	55
Max. Voltage	100V DC	100V DC	100V DC	100V DC	100V DC	100V DC
Insulation Resistance (Ohms)	5×10^{-8} Ohms (+10V DC)	5×10^{-8} Ohms (+10V DC)	5×10^{-8} Ohms (+10V DC)	5×10^{-8} Ohms (+10V DC)	5×10^{-8} Ohms (+10V DC)	5×10^{-8} Ohms (+10V DC)

TEST CIRCUITS



www.aelcrystals.co.uk quartz based frequency control components

Order Hotline +44 1293 524245

www.aelcrystals.co.uk
sales@aelcrystals.co.uk

X-ON Electronics

Largest Supplier of Electrical and Electronic Components

Click to view similar products for [AEL manufacturer](#):

Other Similar products are found below :

[X30M000000L001](#) [X40M000000L104](#) [X12M288000L199](#) [O100M000000L010](#) [O20M000000L619](#) [O32M000000L097](#) [X9M830400L035](#)
[O32M000000L621](#) [C8M000000L004](#) [E3SB16.0000F09G11AE](#) [X18M000000L289](#) [O50M000000L687](#) [X3M276800L016](#) [O25M000000L059](#)
[X5M000000L001](#) [O10M000000L644](#) [O100M000000L434](#) [O3M686400L120](#) [O40M000000L657](#) [X307K200L001](#) [X12M000000L188](#)
[O27M000000S026](#) [X14M000000L001](#) [O25M000000L684](#) [O50M000000L659](#) [X3M579545L023](#) [X4M915200L001](#) [O16M000000L682](#)
[X3M686400L005](#) [X50M000000L001](#) [O25M000000L063](#) [C40M000000L001](#) [O10M000000L004](#) [O12M000000L008](#) [O16M000000L021](#)
[X4M194304L056](#) [O50M000000L140](#) [O20M000000L676](#) [O80M000000L164](#) [X32M000000L004](#) [O50M000000L139](#) [O4M000000L134](#)
[F455K000S011](#) [C3M580000L002](#) [X18M432000L293](#) [X4M000000L009](#) [X32K768L102](#) [X14M745600L225](#) [X16M000000L259](#)
[C16M000000S004](#)