



## General Specifications

### Motor Protection:

Auto Restart/Polarity Protection

**Insulation Resistance:** 10M Ω or over with a DC500V Megger

**Dielectric Withstand Voltage:** AC 700V 1s

### Allowable Ambient Temperature Range:

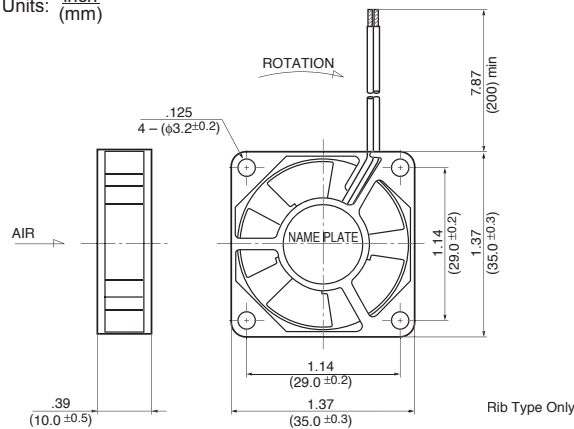
-10°C ~ +70°C (Operating)

-40°C ~ +70°C (Storage)

(non-condensing environment)

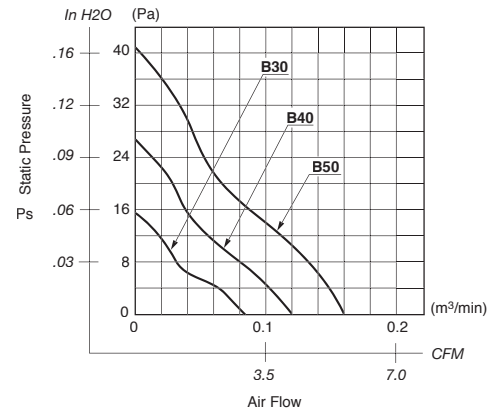
## Outline

Units:  $\frac{\text{inch}}{\text{mm}}$

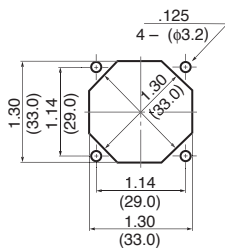


Rib Type Only

## Characteristic Curves



## Panel Cut-outs



INLET SIDE / OUTLET SIDE

## Material

Casing : Plastic (Black) 94V-0

Impeller : Plastic (Black) 94V-0

Bearing : Ball Bearing

Lead Wire: UL1061, AWG26, +Red, -Black

## Specifications

MODEL	Product No.	Rated Voltage	Operating Voltage	Current	Input Power	Speed	Max. Air Flow		Max. Static Pressure		Noise	Mass
		(V)	(V)	(A) <sup>*1</sup>	(W) <sup>*1</sup>	(min <sup>-1</sup> ) <sup>*1</sup>	CFM <sup>*1</sup>	(m <sup>3</sup> /min) <sup>*1</sup>	in H <sub>2</sub> O	(Pa) <sup>*1</sup>	(dB) <sup>*1</sup>	(g)
1404KL-01W-B30-	X00	5	4.5 ~ 5.5	0.08	0.40	5000	3.0	0.086	.06	15.5	19.0	12
1404KL-01W-B40-	X00	5	4.5 ~ 5.5	0.17	0.85	7000	4.2	0.120	.10	26.8	22.0	12
1404KL-01W-B50-	X00	5	4.5 ~ 5.5	0.21	1.05	9000	5.6	0.160	.16	41.0	27.0	12
1404KL-04W-B30-	X00	12	8 ~ 13.8	0.04	0.48	5000	3.0	0.086	.06	15.5	19.0	12
1404KL-04W-B40-	X00	12	8 ~ 13.8	0.07	0.84	7000	4.2	0.120	.10	26.8	22.0	12
1404KL-04W-B50-	X00	12	8 ~ 13.8	0.08	0.96	9000	5.6	0.160	.16	41.0	27.0	12

Rotation: Clockwise

Airflow Outlet: Air Out Over Struts

\*1: Average Values in Free Air

**24 10 M L - 04 W - B 10 - P 00**

Individual Specifications

Standard

- 00 Standard
- 01~99: Custom

Sensor Type

- 00: Locked Rotor Alarm Signal (Standard)
- 01~49: Locked Rotor Alarm Signal (Custom)
- 50: Tachometer Signal (Standard)
- 51~99: Tachometer Signal (Custom)

Product Number

Item	Classification	Mounting Style
L:	Standard Model	Rib Type
P:	Standard Model	Flange Type
B:	Standard Model	Rib Type
E:	Standard Model	Flange Type
G:	Standard Model	Rib Type
D:	Standard Model	Flange Type
T:	Value Model	Rib Type
S:	Value Model	Flange Type
C:	Value Model	Rib Type
F:	Value Model	Flange Type
J:	Value Model	One Side Rib Type
H:	Value Model	One Side Flange Type
M:	Value Model	Rib Type
V:	Value Model	Flange Type
X:	Vented Casing	Flange Type

Special Control Function

- 0: Standard Type
- 9: Sensor Type
- 8: 2-Speed Type
- 7: Temperature Detecting Variable Speed Type / PWM Control Type
- 6: Temperature Detecting Variable Speed Type/Sensor Type
- 5: 2-Speed Type/Sensor Type

Speed

- 1<2<3<4<5<6<7<8

Bearing

- B: Ball Bearing

Termination

- W: Lead Wires
- T: Terminal (Terminal option on 3610KL and 4715KL Series)

Input Voltage

- 01: 5V
- 04: 12V
- 05: 24V
- 06: 36V
- 07: 48V
- 09: Custom Voltage

Motor Function

- Brushless Type DCM

Series

- P Series            G Series
- M Series           H Series
- N Series           S Series
- K Series           F Series

Overall Length (Thickness)

- 04: 10mm    11: 28mm
- 06: 15mm    12: 32mm
- 08: 20mm    15: 38mm
- 10: 25mm    20: 50mm

Frame Size

- 10: 25mm    28: 70mm
- 12: 30mm    31: 80mm
- 14: 35mm    36: 92mm
- 16: 40mm    47: 119mm
- 20: 50mm    50: 127mm
- 21: 52mm    59: 150mm
- 24: 60mm    68: 173mm

## X-ON Electronics

Largest Supplier of Electrical and Electronic Components

*Click to view similar products for [DC Fans](#) category:*

*Click to view products by [NMB Technologies](#) manufacturer:*

Other Similar products are found below :

[614R](#) [6424/2HP-210](#) [8312R](#) [DV4118/2NP-183](#) [AFB0948HH-S687](#) [PFB0824DHE-8B72](#) [G2E085-AA05-10](#) [RD20S-4/210660](#) [4318/12T](#)  
[4418HH](#) [AUB0912H-F00](#) [3412N/2ME](#) [K2E225-RA92-09](#) [4184N/2XR](#) [5214N2HH](#) [614J2HHPR-010](#) [8412NGL-12](#) [4114N/12HHR-297](#)  
[4656](#) [ZWR-903](#) [4112N12GL-175](#) [KD2406PKB2.\(2\).GN](#) [AFB1248HHE](#) [AFB1212LE-F00](#) [FAN-SCH-1](#) [MF60151V1-1000U-G99](#)  
[PF80252V1-1000U-G99](#) [PF92252V1-1000U-G99](#) [4112N/2H6P](#) [4114N/17-251](#) [6212NH](#) [622/2N](#) [712F-011](#) [8218J/2NP-181](#) [W1G180-AB47-](#)  
[15](#) [FAA1-12038NBKW31-A](#) [6318N/2TDP](#) [6318N/2H3PU](#) [6318HU](#) [424JMU](#) [PMD1206PTVX-A.U.GN](#) [PF80251B2-000U-F99](#)  
[EF40101BX-1000U-G99](#) [AD1224LB-A71GL](#) [9GA0924L4021](#) [9GA0924M4021](#) [9GA0924M4011](#) [9GA0824B20011](#) [9GA0812A2D0011](#)  
[9GA0912M4D011](#) [9GA0924W4D01](#)