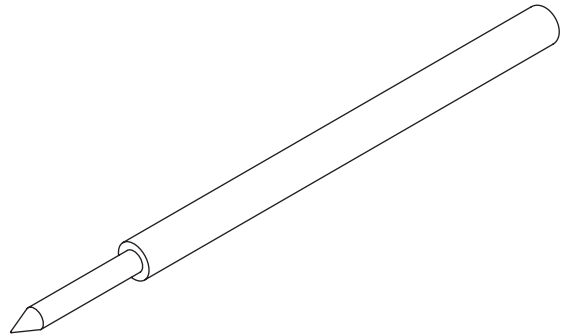




# TSF-0,8-5

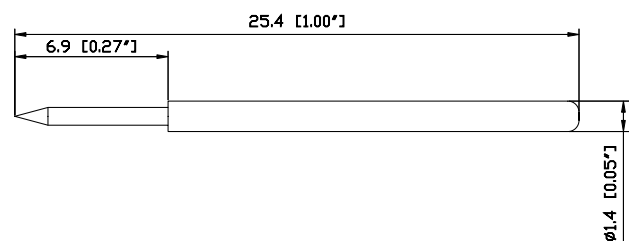
Set of five spring tips 0.8 mm



PMKs signature feature – spring loaded, needle sharp tips – for precise and safe measurements minimizing the risk of slipping off the board and producing a short circuit.

Materials: gold plated brass; CuBe alloy (Copper Beryllium)

Order-No. 891-005-803



PMK GmbH  
Mess- und  
Kommunikationstechnik  
Industriestr. 17  
63150 Heusenstamm  
Germany

Phone: +49 (0) 6104 6453  
Fax: +49 (0) 6104 6457  
Internet: [www.pmk.de](http://www.pmk.de)  
E-Mail: [sales@pmk.de](mailto:sales@pmk.de)  
[service@pmk.de](mailto:service@pmk.de)

## **X-ON Electronics**

Largest Supplier of Electrical and Electronic Components

*Click to view similar products for [pmk](#) manufacturer:*

Other Similar products are found below :

[TSF-0.8-5](#) [PSF-0.5-5](#)