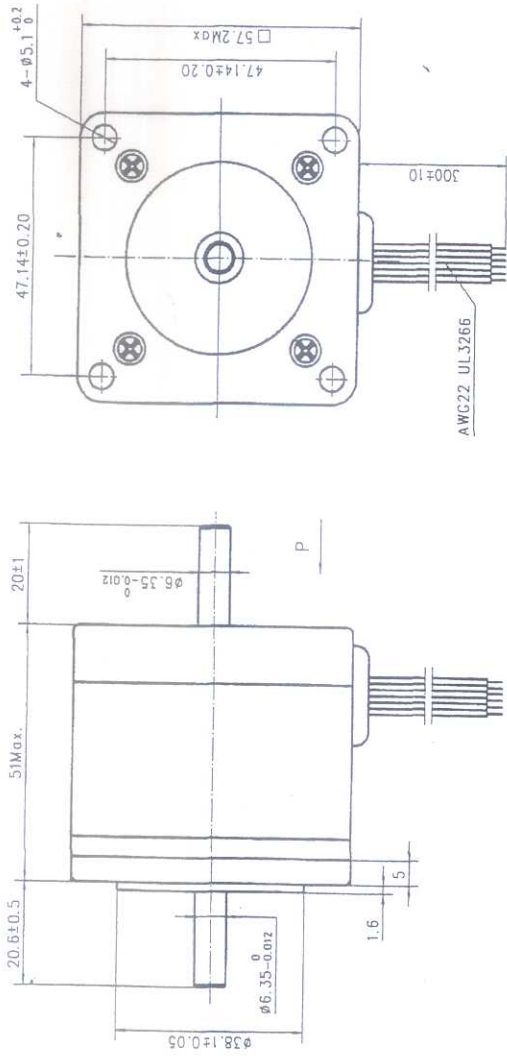


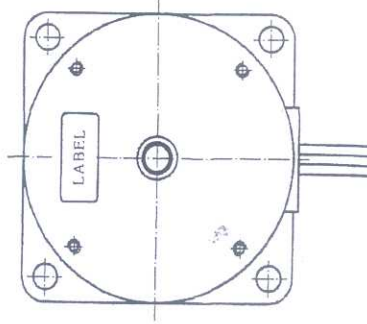
MY180

9 Electrical Specification

connection	specification of phase	number of phase	resistance per phase ohm±10%	inductance per phase mH±20%	rated current A	rated voltage V	holding torque NmMin.
UNI-POLAR	4	20	23	0.6	12	0.53	
BI-POLAR PARALLEL	2	10	23	0.85	8.5	0.75	
BI-POLAR SERIES	2	40	92	0.42	16.8	0.75	

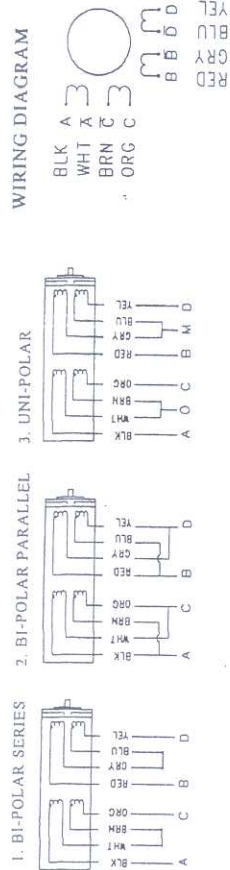


View P



10

WIRING DIAGRAM



11

DRIVE SEQUENCE MODEL

1. BI-POLAR FULL STEP					2. UNI-POLAR FULL STEP				
STEP	A	B	C	D	STEP	A	B	C	D
1	+	+	-	-	1	-	-	+	+
2	-	+	+	-	2	-	-	+	+
3	-	-	+	+	3	-	-	-	-
4	+	-	-	+	4	-	-	-	-

CW(CLOCK WISE)&CCW(COUNTER CLOCK WISE) ROTATION WHEN SEEN FROM THE FLANGE SIDE OF THE MOTOR

X-ON Electronics

Largest Supplier of Electrical and Electronic Components

Click to view similar products for [astrosyn](#) manufacturer:

Other Similar products are found below :

[MY7001](#) [MY3002](#) [MY4001](#)