

This specification describes a 30 AWG, 150-ohm balanced line cable.

CONDUCTOR

Material: OFHC Silver-plated Copper  
Size: 30 AWG  
Construction: 7 x 38  
OD(nom): .012"

INSULATION

Two conductors are profile-extruded together with Expanded PTFE  
OD(nom): .047" x .094"

DRAIN WIRE

Material: Silver-plated Copper  
Size: 30 AWG  
Construction: 7 x 38  
OD(nom): .012"

SHIELD

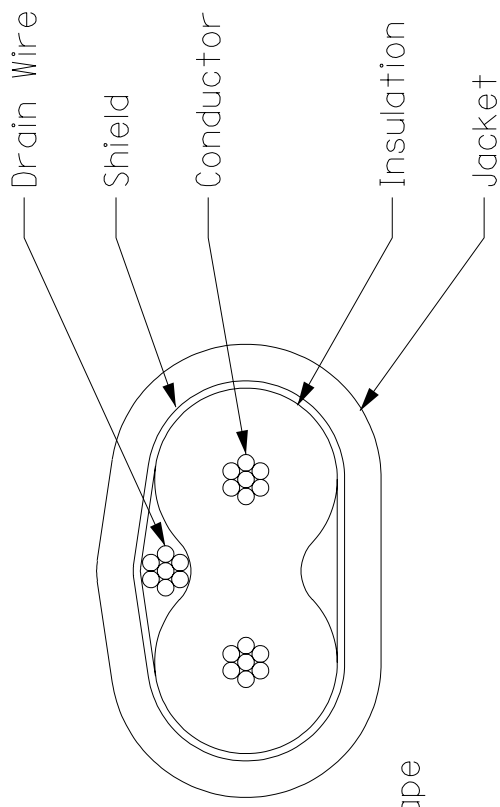
Material: Aluminum/Polyester Tape  
25% lap  
OD(nom): .054" x .097"

JACKET

Material: Extruded PVC  
Wall Thickness(nom): .008"  
OD(nom): .070" x .113"

ELECTRICAL CHARACTERISTICS

Impedance: 150 +/- 10 ohms  
Capacitance(nom): 8 pF/ft  
Time Delay: 1.17 +/- .03 ns/ft  
Velocity of Propagation(nom): 85%  
Skew(max): 10 ps/ft when tested according to IP# 8.1.39 Method 2



COLOR

Jacket: Gray  
Insulation: White, White/Blue

MFG. SH. REV.			
APP'D. BY	GJK	MJM	
CHK'D. BY	GJK	MJM	
DATE	97/10/29		
DRWN	GJK		

REVISIONS

DIMENSIONS SHOWN (METRIC) INCH	
UNLESS OTHERWISE SPECIFIED TOLERANCES: ANGULAR ± 1/2°	
INCH	METRIC
3 PLACE ± ---	---
2 PLACE ± ---	± ---
1 PLACE ---	± ---

DRAFT WHERE APPLICABLE MUST REMAIN WITHIN DIMENSIONS

FILE NAME	1533006	DGN	
DRWG. NO.	71153-3006	DRWG. NO.	SD-71153-3006
SHEET NO.	1 OF 1	DATE	97/10/29

TITLE		REVISE ONLY ON CAD SYSTEM	
150 OHM TWIN-AXIAL CABLE ALUMINUM/MYLAR SHIELD			
MOLEX INCORPORATED		LISLE, ILL. 60532 U.S.A.	
PART NO.		DRWG. NO.	
71153-3006		SD-71153-3006	
FILE NAME	1533006	DGN	
DRWG. NO.	71153-3006	DRWG. NO.	SD-71153-3006
SHEET NO.	1 OF 1	DATE	97/10/29

THIS DRAWING CONTAINS INFORMATION THAT IS PROPRIETARY TO MOLEX INC. AND SHOULD NOT BE USED WITHOUT WRITTEN PERMISSION.			
FILE NAME	1533006	DGN	
DRWG. NO.	71153-3006	DRWG. NO.	SD-71153-3006
SHEET NO.	1 OF 1	DATE	97/10/29

A

B

C

D

6

5

4

3

2

1

6

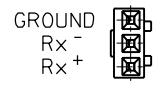
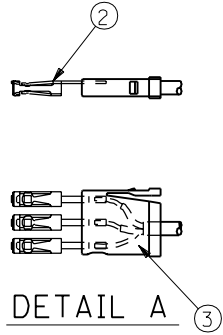
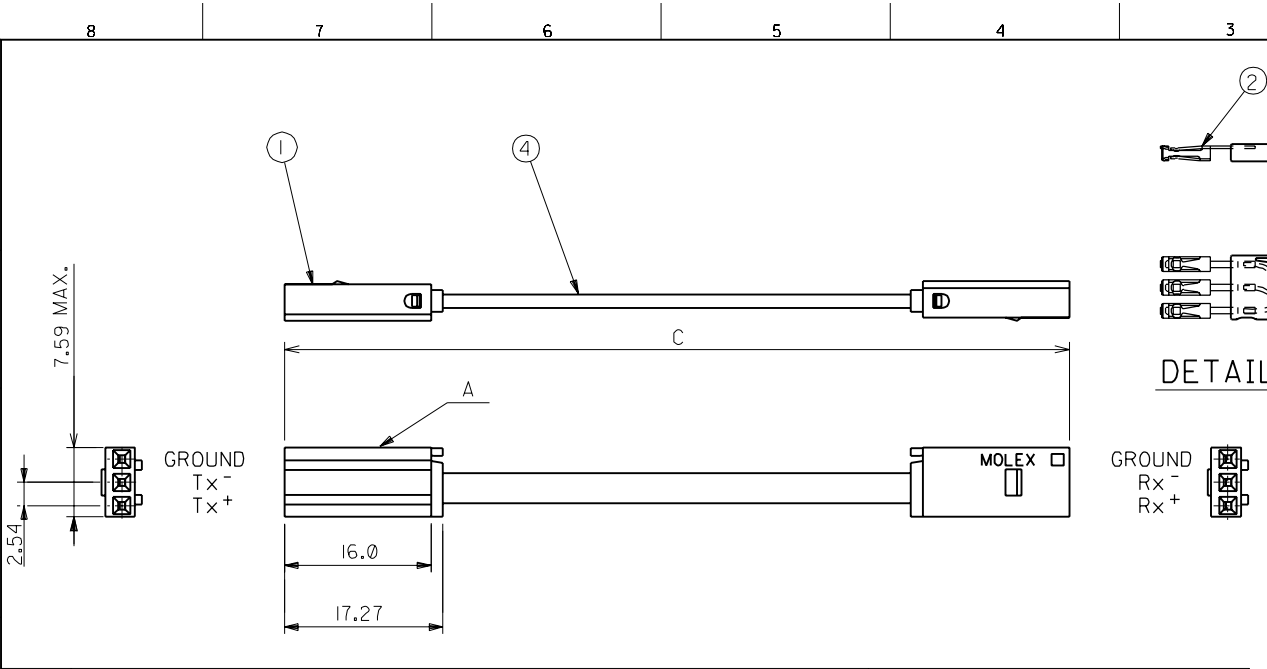
5

4

3

2

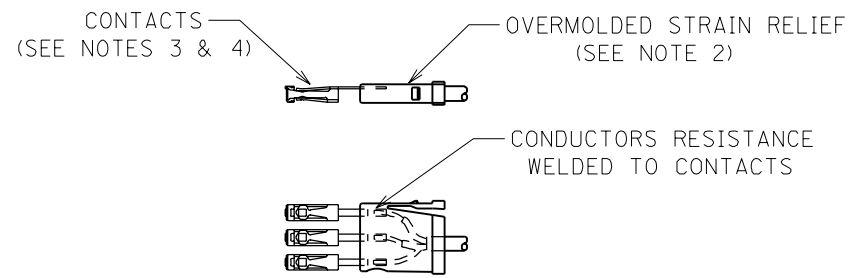
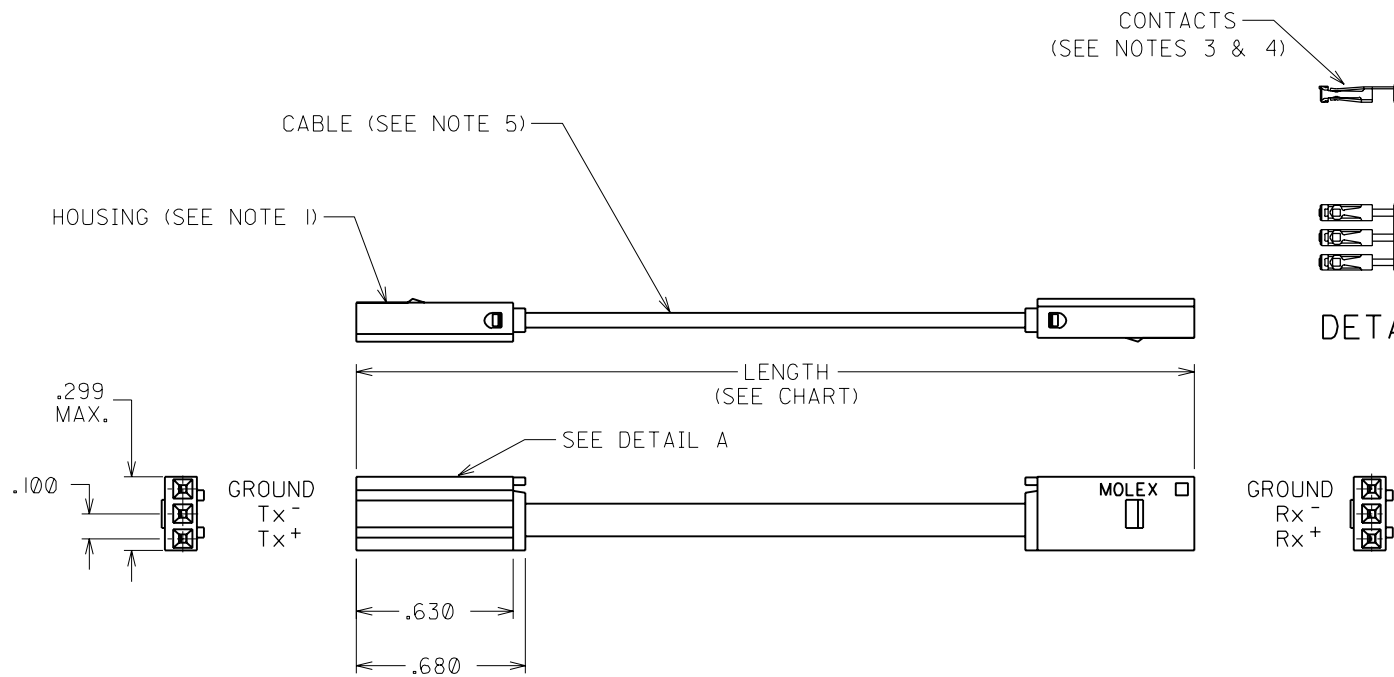
71153



④	ケーブル CABLE	—	—	添付図面 SD-71153-001 参照 REFER TO SALES DRAWING SD-71153-001
③	オーバーモールド OVER MOLD	液晶ポリマー(LCP)樹脂 LIQUID CRYSTAL POLYMER	—	94V-0, 色:黒 94V-0, COLOR:BLACK
②	コンタクト CONTACT	りん青銅 PHOSPHOR BROZE	ニッケル(Ni)下地最小 1.27µm NICKEL UNDER-PLATING 1.27 MICRO METER-MINIMUM. 金メッキ (Au) 最小 0.76 µm GOLD PLATING 0.76 MICRO METER-MINIMUM.	接触部分AUメッキ GOLD PLATING ON CONTACT AREA
①	ハウジング HOUSING	液晶ポリマー(LCP)樹脂 LIQUID CRYSTAL POLYMER	—	94V-0, 色:黒 94V-0, COLOR:BLACK
部番 NO.	品名 PARTS	材質 MATERIAL	メッキ PLATING	記事 NOTES

単位 UNIT	C	ワイヤーサイズ (AWG)	製品番号 MATERIAL NO.
INCH (in)	5±0.5	30	73046-0007
	8±0.5	30	73046-0010
	12±0.5	30	73046-0001
	14±0.5	30	73046-0017
	18±0.5	30	73046-0002
	24±0.5	30	73046-0003
METER (m)	36±1.0	30	73046-0008
	0.17±0.01	30	73046-0014
	0.45±0.01	30	73046-0015
	0.5±0.01	30	73046-0009
	1±0.01	30	73046-0004
	1.1±0.01	30	73046-0016
	2±0.03	30	73046-0011
	3±0.03	30	73046-0012
	4±0.05	30	73046-0013
	5±0.05	30	73046-0005
10±0.05	28	73046-0006	

EC NO. DRWN: CHK: APPR:	EC NO. DRWN: CHK: APPR:	EC NO. DRWN: CHK: APPR:	EC NO. DRWN: CHK: APPR:	EC NO. DRWN: CHK: APPR:	RELEASED ECNNO. JD2000-0282 DRWN: K.TOYODA '99/09/30 CHK: M.SASAO '99/09/30 APPR: H.IKESUGI '99/09/30	MATERIAL 材料 SEE CHART	GENERAL TOLERANCES: (UNLESS SPECIFIED) 一般公差	SCALE — #	DESIGN UNITS <input type="checkbox"/> mm <input type="checkbox"/> INCH	THIRD ANGLE PROJECTION	DIMENSIONS: <input type="checkbox"/> mm <input type="checkbox"/> INCH	SHT REV
FINISH 仕上り SEE CHART	WIRE RANGE 適用電線範囲 — #	INS. RANGE 被覆外径 — #	ANGLE 角度 +3°	10 UNDER 未満 +0.2	10 OVER 以上 30 UNDER 未満 +0.25	30 OVER 以上 +0.3	DRAWN BY & DATE H.NAKATANI '99/08/21	CHECKED BY & DATE <i>H.Nakatani</i>	TITLE: CABLE ASSEMBLY 1 X 3 FIBER CHANNEL	<input type="checkbox"/> mm ONLY	REVISE ON CAD ONLY	
APPROVED BY & DATE <i>H.Nakatani</i>	CAD FILE NAME SD-73046-001.S01	MATERIAL NO. SEE CHART	DRAWING NO. SD-73046-001	MOLEX INCORPORATED		SHEET NO. 1 OF 1						
THIS DRAWING CONTAINS INFORMATION THAT IS PROPRIETARY TO MOLEX INCORPORATED AND SHOULD NOT BE USED WITHOUT WRITTEN PERMISSION.												



DETAIL A

LENGTH	WIRE (AWG)	ITEM NUMBER
5±0.5in	30	73046-0007
8±0.5in	30	73046-0010
10±0.5in	30	73046-0018
12±0.5in	30	73046-0001
14±0.5in	30	73046-0017
15±0.5in	30	73046-0019
18±0.5in	30	73046-0002
20±0.5in	30	73046-0020
24±0.5in	30	73046-0003
36±1in	30	73046-0008
40±1in	30	73046-0021
0.17±0.01m	30	73046-0014
0.45±0.01m	30	73046-0015
0.5±0.01m	30	73046-0009
1±0.01m	30	73046-0004
1.1±0.01m	30	73046-0016
2±0.03m	30	73046-0011
3±0.03m	30	73046-0012
4±0.05m	30	73046-0013
5±0.05m	30	73046-0005
10±0.05m	28	73046-0006

- NOTES:
- HOUSING MATERIAL: G.F. LIQUID CRYSTAL POLYMER, 94V-0, COLOR: BLACK
  - STRAIN RELIEF MATERIAL: G.F. LIQUID CRYSTAL POLYMER, 94V-0, COLOR: BLACK
  - CONTACT MATERIAL: PHOSPHOR BRONZE
  - CONTACT PLATING: 30 MICROINCHES MINIMUM GOLD PLATE IN SELECT AREA OVER 50 MICROINCHES MINIMUM NICKEL PLATE OVERALL
  - SEE MOLEX 71153-3\*\*\* DRAWINGS FOR CABLE DETAILS
  - CHARACTERISTIC IMPEDANCE: 150± 10 OHMS (MEASURED DIFFERENTIALLY)
  - MATING PIN LENGTHS:  
MINIMUM: .180 INCHES  
MAXIMUM: .340 INCHES
  - INSERTION/WITHDRAWAL FORCES:  
INSERTION: 10 OUNCES MAXIMUM PER CONTACT  
WITHDRAWAL: 1 OUNCE MINIMUM PER CONTACT
  - NORMAL FORCE: 100 GRAMS MINIMUM

MFG. SH. REV.	K	ADDED OPTIONS PER UDT2000-0644 00/01/10 ATP	DIMENSIONS SHOWN (METRIC) INCH		REVISIONS		TITLE		
			UNLESS OTHERWISE SPECIFIED TOLERANCES: ANGULAR ± 1/2°	3 PLACE ± .010	---	INCH	METRIC	1 X 3 FIBRE CHANNEL CABLE ASSEMBLY	
DRWG. BY ATP	CHK'D. BY ATP	APP'D. BY MJM	SCALE 2 : 1	DRAFT WHERE APPLICABLE MUST REMAIN WITHIN DIMENSIONS		MOLEX INCORPORATED LITTLE,ILL. 60532 U.S.A.		SHEET NO. 1 OF 1	
SEE CHART				SDA-73046-*****		DATE 01/13/97		FILE NAME S73046X1 DGN	
THIS DRAWING CONTAINS INFORMATION THAT IS PROPRIETARY TO MOLEX INC. AND SHOULD NOT BE USED WITHOUT WRITTEN PERMISSION.								DIV. D	SIZE B

## X-ON Electronics

Largest Supplier of Electrical and Electronic Components

*Click to view similar products for [D-Sub Micro-D Connectors](#) category:*

*Click to view products by [Molex](#) manufacturer:*

Other Similar products are found below :

[M243082311F](#) [M2430834F](#) [M24308/4-6F](#) [65-1920-15](#) [M83513/01-HN](#) [M83513/03-A10N](#) [M83513/03-B14C](#) [M83513/03-D09C](#) [M83513/03-D11N](#) [M83513/03-G02N](#) [M83513/03-G05N](#) [M83513/03-G08C](#) [M83513/03-G09N](#) [M83513/03-G12N](#) [M83513/03-H13N](#) [M83513/04-E15N](#) [M83513/04-G04C](#) [M83513/10-E01NP](#) [M83513/13-B01NP](#) [M83513/13-C01NN](#) [M83513/16-A01CP](#) [M83513/22-D01NP](#) [M83513/25-B01NP](#) [6R2004A30F015](#) [6R4006A28A120](#) [703006A13F060](#) [704002A03F200](#) [705001A13F120](#) [7-1532020-5](#) [748567-1-P](#) [MDB1-31SH003](#) [MDM-15PBS-L58](#) [MDM-15PCBRM7T](#) [MDM-15PH003B-A174](#) [75-068624-59S](#) [MDM-15PH034B](#) [MDM-15SH001L](#) [MDM-15SH004B](#) [MDM-21PH003K](#) [MDM-25PH003B-A174](#) [MDM-25PHW01F-A174](#) [MDM-37PH006L-A174](#) [MDM-37PH048M5-A174](#) [MDM-37SCBRP-A174](#) [MDM-51PBS-L56](#) [MDM-51PSF](#) [MDM-51SH003M7](#) [MDM-51SSM7-A174](#) [MDM-9PBSP-L58](#) [MDM-9PH003M7](#)