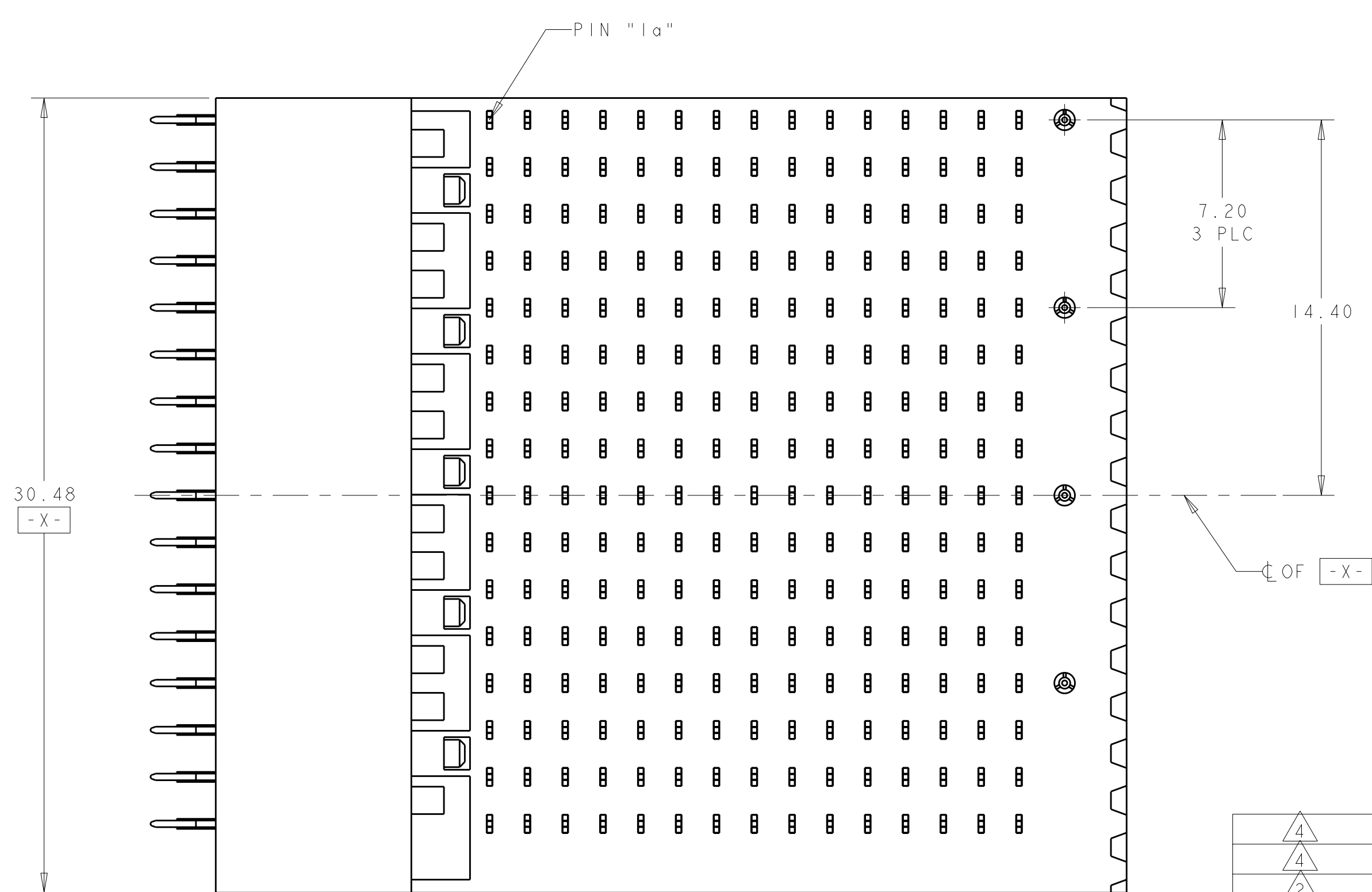
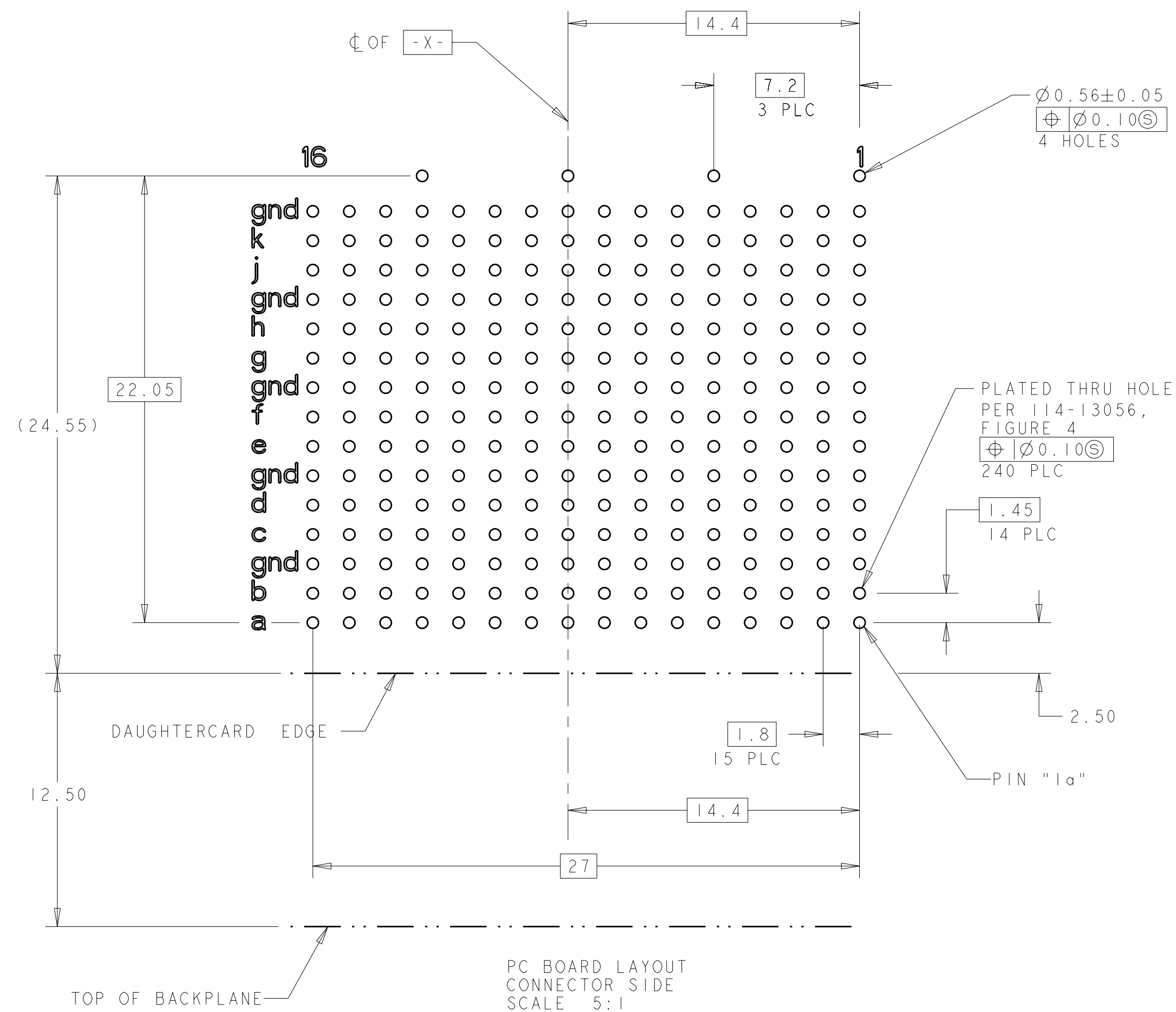
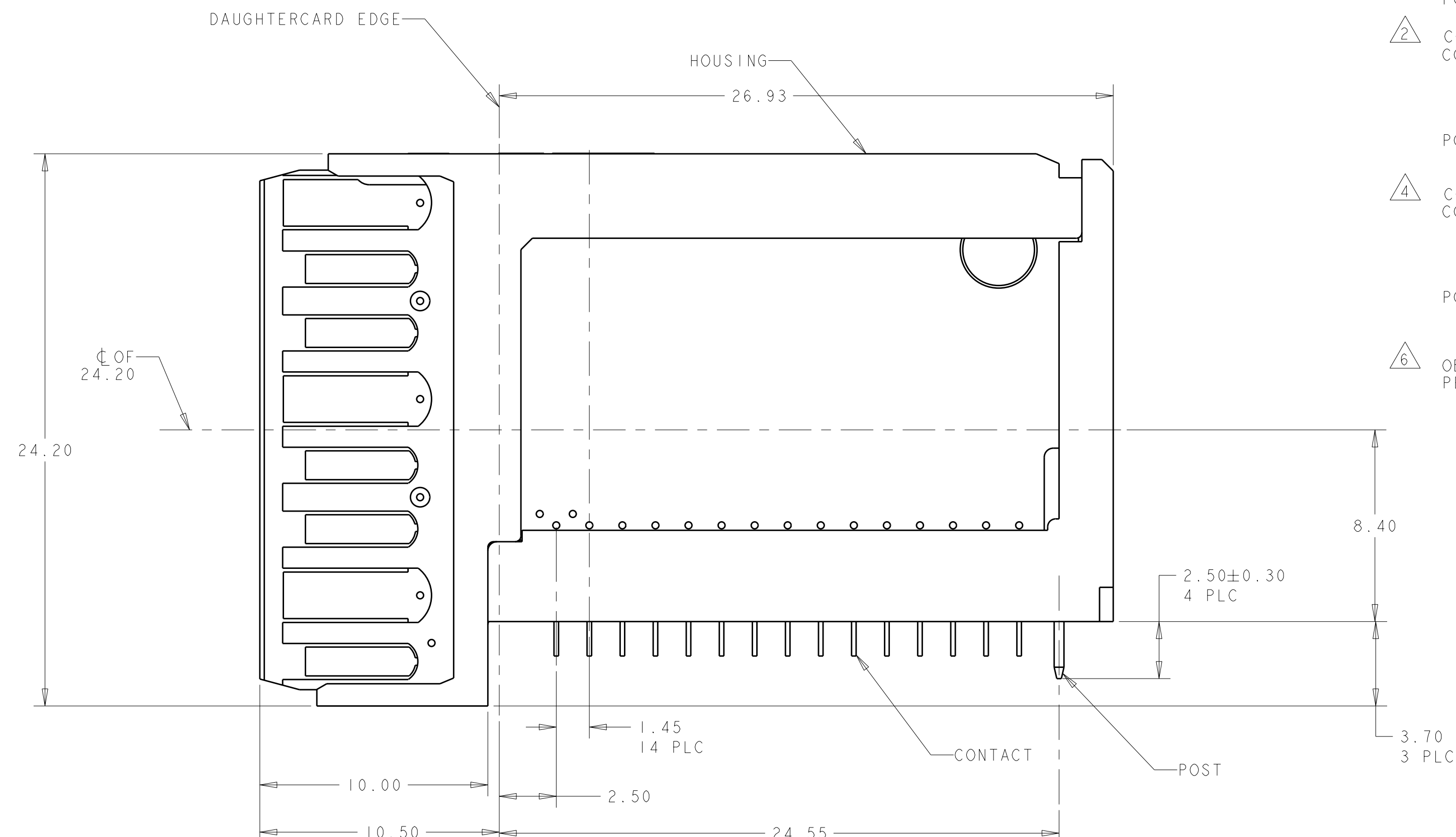
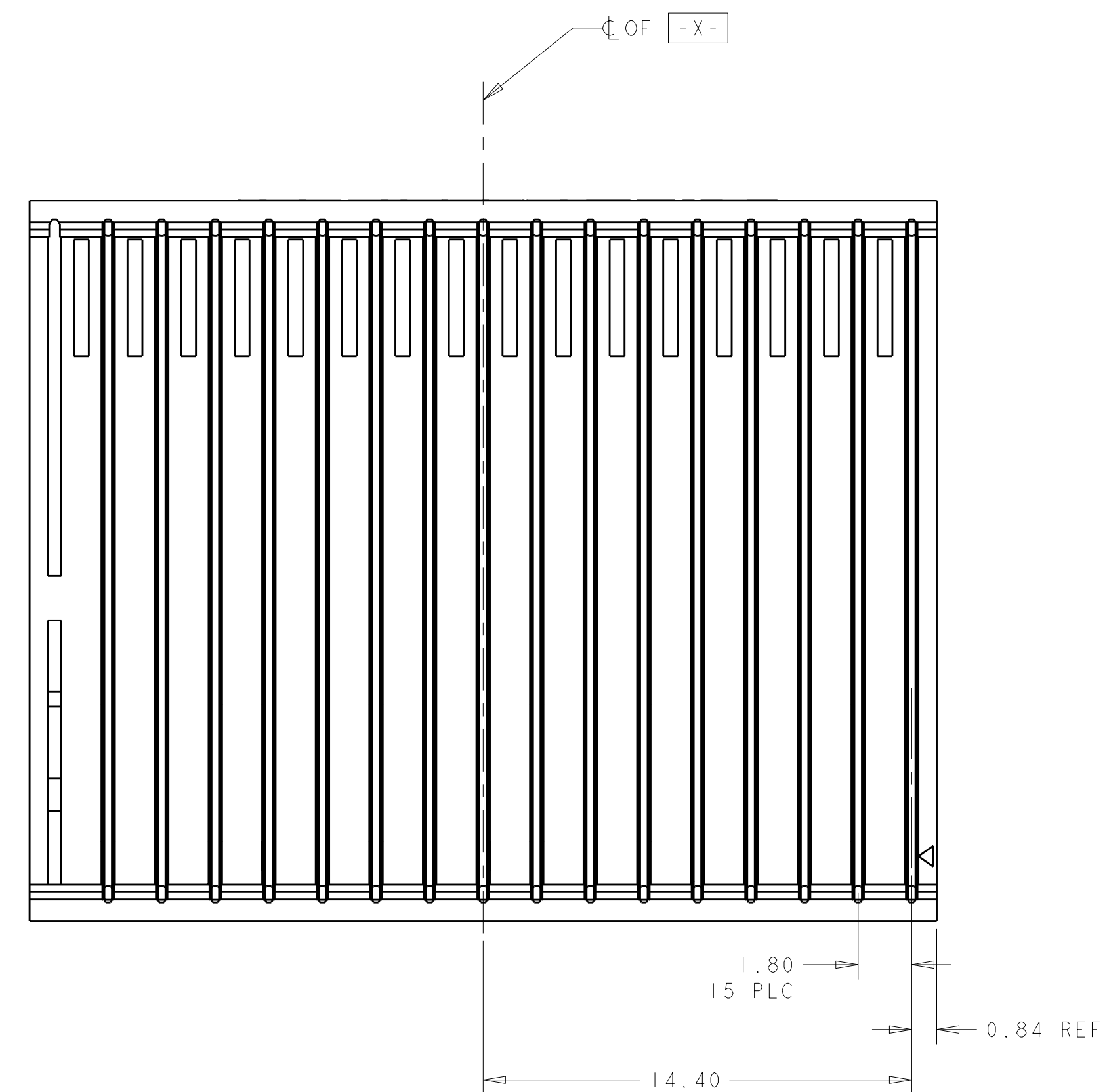


LOC	DIST	REV	DATE	BY	APPD
A1	-	A2	05JUN2012	KH	AS

- REVISIONS
- 1 HOUSING: LCP, UL94V-0, BLACK.
CONTACT: PHOSPHOR BRONZE.
POST: BRASS WIRE.
 - 2 CONTACT: 0.76 μm GOLD PER ASTM B 488 IN CONTACT AREA,
1.27 μm MIN TIN-LEAD ON PCB TAIL,
OVER 1.27 μm MIN NICKEL PER SAE AMS-00-N-290 OVER ALL.
POST: 1.27 μm MIN NICKEL.
 - 4 CONTACT: 0.76 μm GOLD PER ASTM B 488 IN CONTACT AREA,
1.27 μm MIN MATTE TIN PER ASTM B 545 ON PCB TAIL,
OVER 1.27 μm MIN NICKEL PER SAE AMS-00-N-290 OVER ALL.
POST: 1.27 μm MIN NICKEL.
 - 6 OBSOLETE PARTS: OBSOLETE CIS STREAMLINING PER D.RENAUD/D.SINISI



FINISH	DESCRIPTION	PART NO
4	DIFFERENTIAL PAIR, NONSEQUENTIAL	6 1410217-4
4	SINGLE END, NONSEQUENTIAL	1410217-3
2	DIFFERENTIAL PAIR, NONSEQUENTIAL	6 1410217-2
2	SINGLE END, NONSEQUENTIAL	1410217-1

THIS DRAWING IS A CONTROLLED DOCUMENT.

DATE: 03OCT2002
 CHK: D.DEEBRAUGH
 APPD: D.DEEBRAUGH

PRODUCT SPEC: 108-2072
 APPLICATION SPEC: 114-13056

SIZE: 114-13056
 WEIGHT: -

CUSTOMER DRAWING

SCALE: 8:1 SHEET 1 OF 1 REV A2

STE TE Connectivity

RIGHT ANGLE PLUG ASSEMBLY, RIGHT END, FULL, 25.4mm, MultiGig RT 1, DAUGHTERCARD CONNECTOR

1100779C-1410217

X-ON Electronics

Largest Supplier of Electrical and Electronic Components

Click to view similar products for [High Speed/Modular Connectors](#) category:

Click to view products by [TE Connectivity](#) manufacturer:

Other Similar products are found below :

[2332816-1](#) [89006-1137LF](#) [650827-1](#) [65762-001LF](#) [73474-201LF](#) [74040-1346](#) [74075-0267](#) [88911-201LF](#) [9514M0C20D](#) [1410191-1](#)
[1410337-1](#) [1410368-3](#) [1410964-2](#) [1410326-3](#) [1410367-3](#) [1410971-4](#) [1467833-1](#) [2000877-1](#) [2000878-1](#) [2041314-1](#) [2065387-1](#) [2187307-1](#)
[2187462-1](#) [2226278-6](#) [KA81-07](#) [91290-101LF](#) [1934290-1](#) [2000875-1](#) [2065917-1](#) [2102736-2](#) [FSR-40](#) [2169868-2](#) [2226279-2](#) [22354-8](#) [437-](#)
[5040-000](#) [5-1393565-0](#) [532449-3](#) [532803-2](#) [34745-0001](#) [0740618502](#) [0760151403](#) [0760551105](#) [0760551608](#) [0761451128](#) [0761651124](#)
[0761655108](#) [0761659807](#) [0769853208](#) [0736440217](#) [0758324203](#)