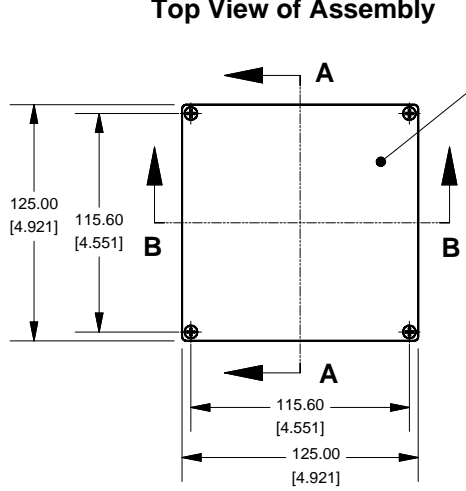
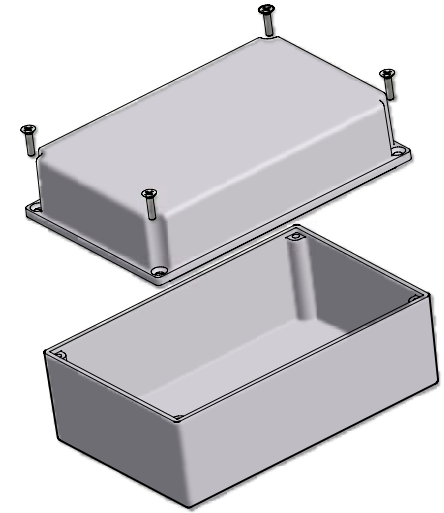
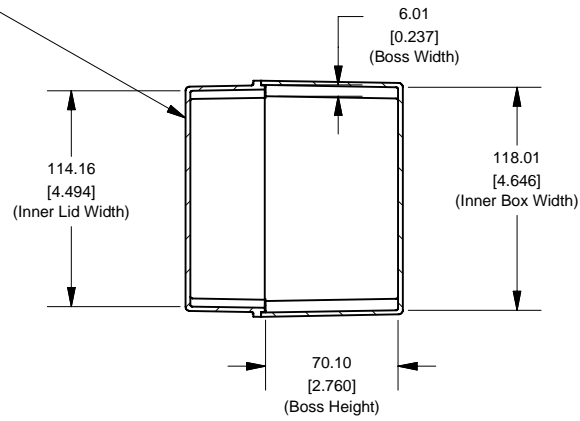


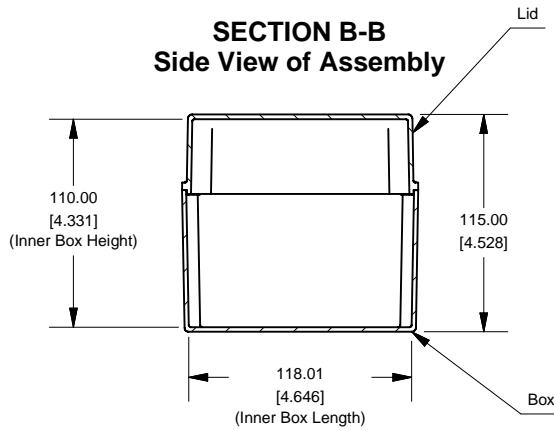
### Top View of Assembly



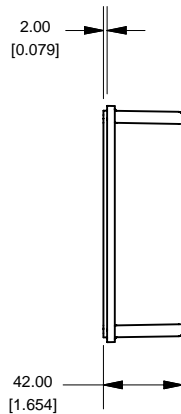
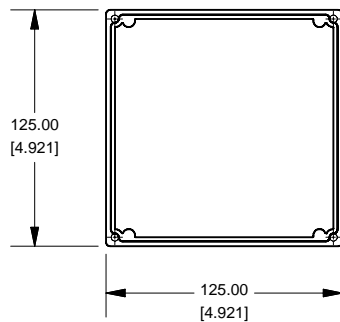
### SECTION A-A End View of Assembly



### SECTION B-B Side View of Assembly



### Lid



Enclosures can be Factory Modified ( Milling, Drilling, Printing etc. )  
Solid models of this enclosure available in STEP or IGES.  
Contact Factory [jelkins@hammond-electronics.co.uk](mailto:jelkins@hammond-electronics.co.uk)

NOTE	
Purchased assembly includes Deep Lid, Box and 4 cover screws.	

Eddystone 11130PDLA PART INFORMATION	
Part Number:	11130PDLA
Material:	LM2 / LM24 Diecast Aluminum Alloy
Cover Screw Type:	M3.5 x 10mm Countersunk (Screw Torque 75 oz f.in or 55 cN. M)

**HAMMOND  
MANUFACTURING™**

**11130PDLA**

[www.hammondmfg.com](http://www.hammondmfg.com)

## **X-ON Electronics**

Largest Supplier of Electrical and Electronic Components

*Click to view similar products for [eddystone](#) manufacturer:*

Other Similar products are found below :

[70011](#) [11130PSLA](#) [26357PSLA](#) [10758PSLA](#) [26908PSLA](#) [29830PSLA](#) [27134PSLA](#)